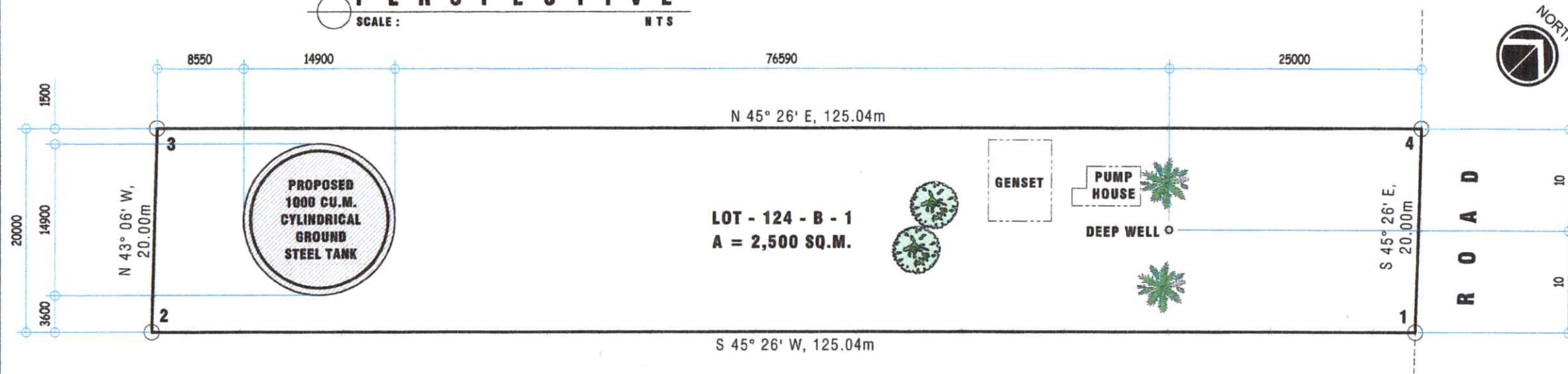


PERSPECTIVE
SCALE : N T S



VICINITY MAP
SCALE : N T S



SITE DEVELOPMENT PLAN
SCALE : 1 : 500M

REPUBLIC OF THE PHILIPPINES
CITY OF GENERAL SANTOS
OFFICE OF THE CITY ENGINEER

OFFICE OF THE BUILDING OFFICIAL

LAND USE & ZONING

LINE AND GRADE

ARCHITECTURAL

STRUCTURAL

SANITARY

ELECTRICAL

MECHANICAL

ELECTRONICS

GENERAL SANTOS CITY WATER DISTRICT
E. FERNANDEZ STREET, BRGY. LAGAO, GEN. SANTOS CITY
ENGINEERING & CONSTRUCTION DEPARTMENT
PLANNING AND DESIGN DIVISION
TEL. NO.: (083) 552 - 3824

ENGR. RIZZA R. BAUGBOG
CIVIL ENGINEER
REG. NO. 0142095 TIN. NO. 701-433-494
PTR. NO. 9492304 DATE: 01-11-2021

TITLE:
CONSTRUCTION OF 1000 CU.M.
CYLINDRICAL GROUND
STEEL TANK
PRK. CABUAY, BRGY. SINAWAL, GEN. SANTOS CITY

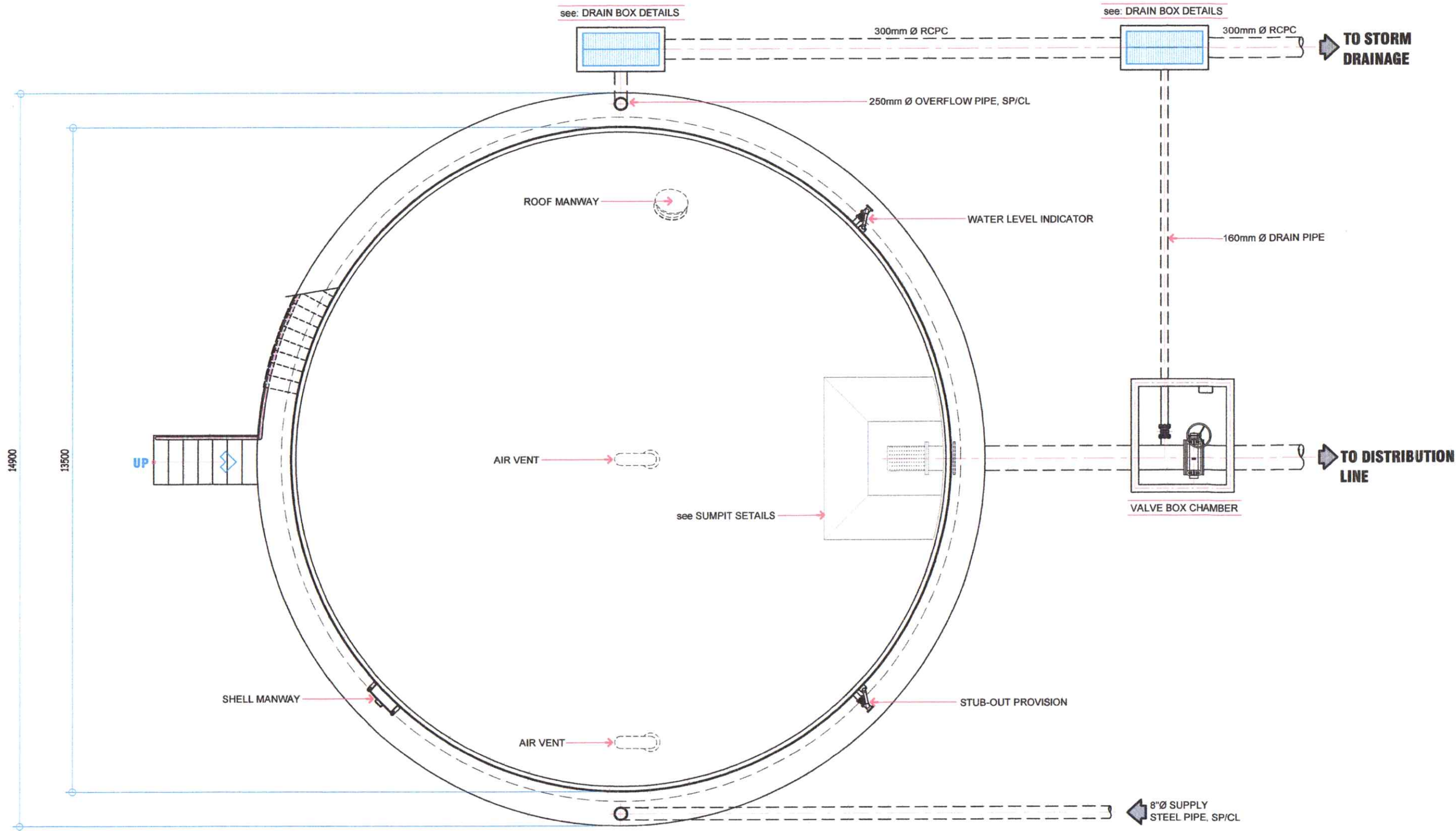
CHECKED:
ENGR. ROLLY A. GUNDAY
OIC - PDD

REVIEWED:
ENGR. ROGELIO A. BESANA, JR.
MANAGER A - ECD


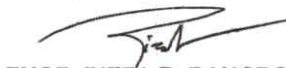
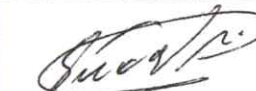


APPROVED:
ENGR. ARN B. GELLANGARIN
GENERAL MANAGER

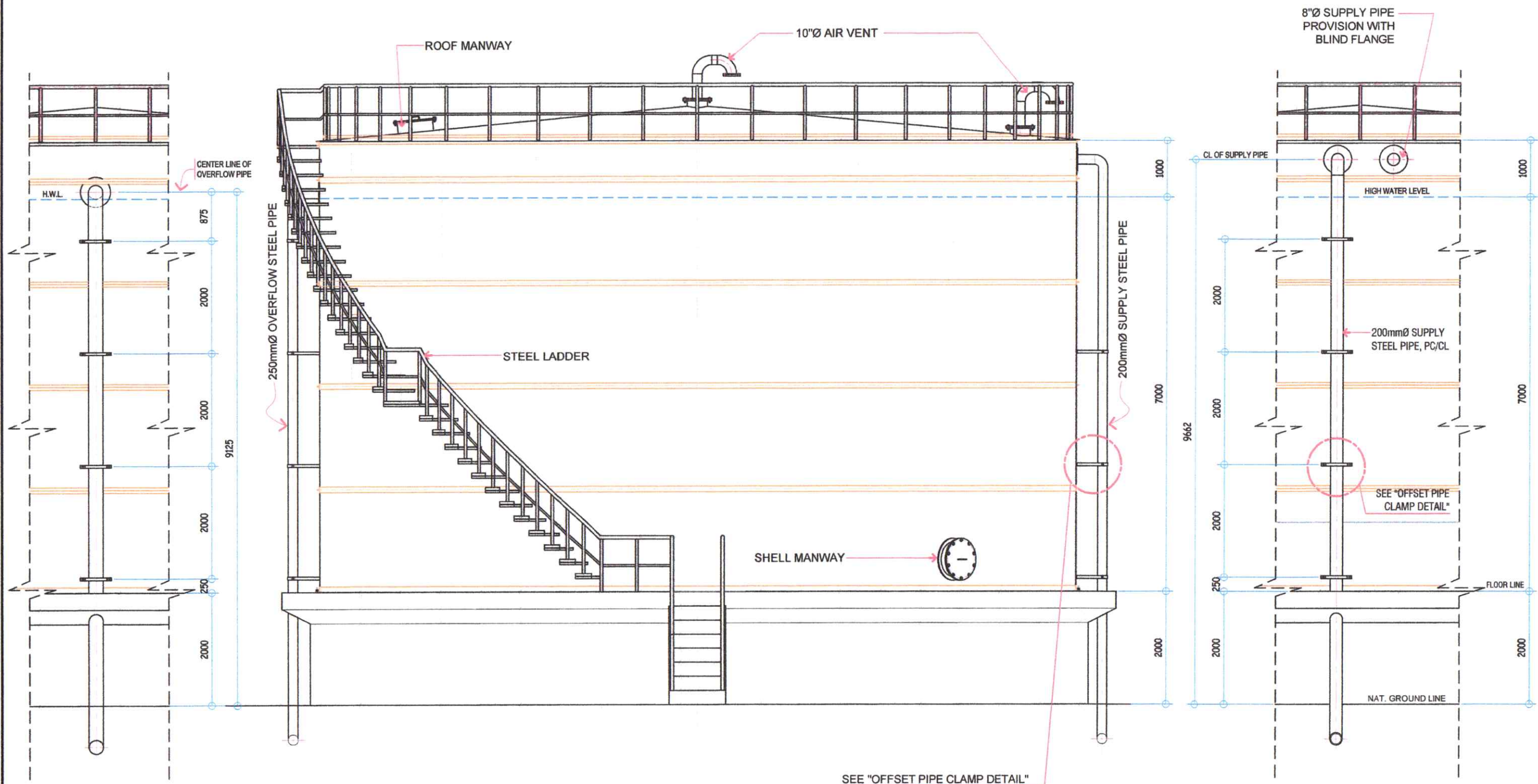
CONTENTS:
AS PER PLAN
DRAWN BY: ESA REV. NO.
CHECKED BY: RAG DATE: 02 / 05 / 2021

SHEET NO.
1




RESERVOIR PLAN
 SCALE 1 : 50 MM

 GENERAL SANTOS CITY WATER DISTRICT E. FERNANDEZ STREET, BRGY. LAGAO, GEN. SANTOS CITY ENGINEERING & CONSTRUCTION DEPARTMENT PLANNING AND DESIGN DIVISION TEL. NO.: (083) 552 - 3824	 ENGR. RIZZA R. BAUGBOG CIVIL ENGINEER	TITLE:	CHECKED:	REVIEWED:	APPROVED:	CONTENTS:	SHEET NO.	
	REG. NO. 0142095 PTR. NO. 9492304	TIN. NO. 701-433-494 DATE: 01-11-2021	CONSTRUCTION OF 1000 CU.M. CYLINDRICAL GROUND STEEL TANK PRK. CABUAY, BRGY. SINAWAL, GEN. SANTOS CITY	 ENGR. ROLLY A. GUNDAY OIC - PDD	 ENGR. ROGELIO A. BESANA, JR. MANAGER A - ECD	 ENGR. ARN B. GELLANGARIN GENERAL MANAGER	AS PER PLAN DRAWN BY: ESA CHECKED BY: RAG	2
							REV. NO. DATE: 02 / 05 / 2021	

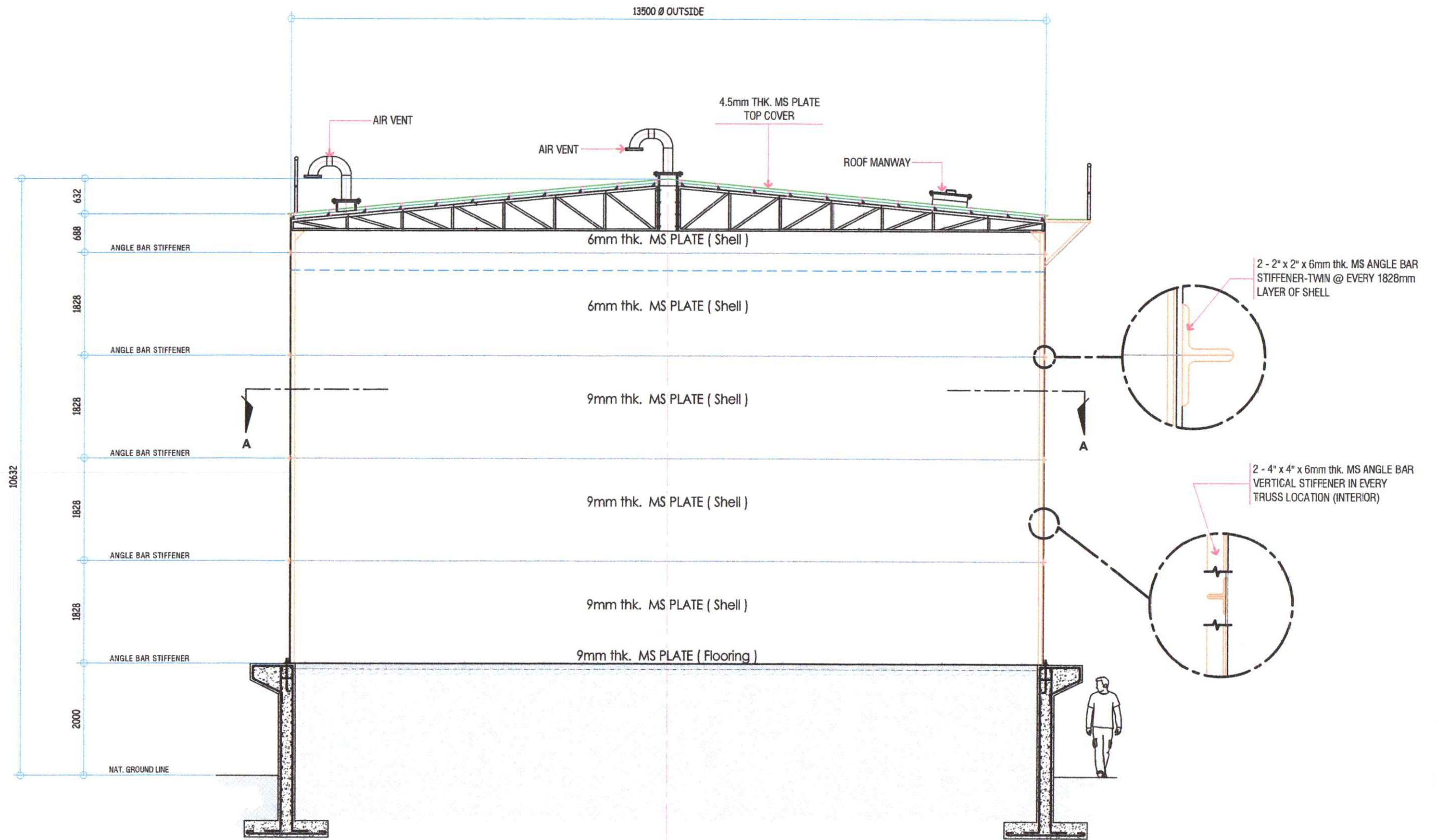


OVERFLOW PIPE DETAILS
SCALE: 1/10 MM


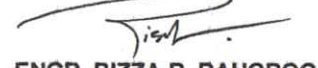



TANK ELEVATION
SCALE: 1/10 MM

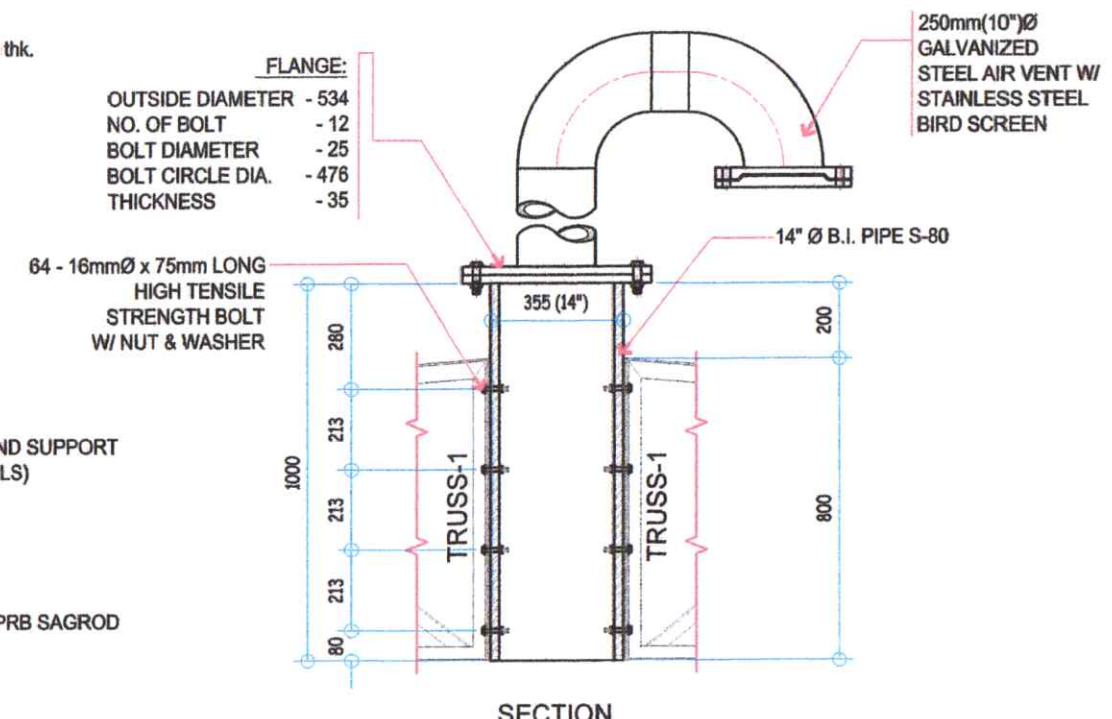
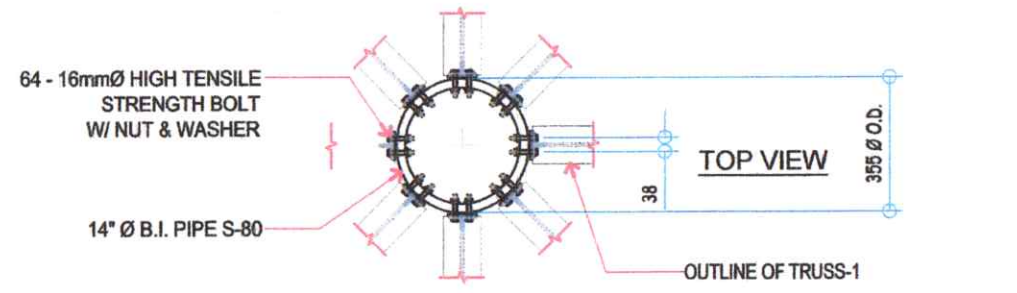
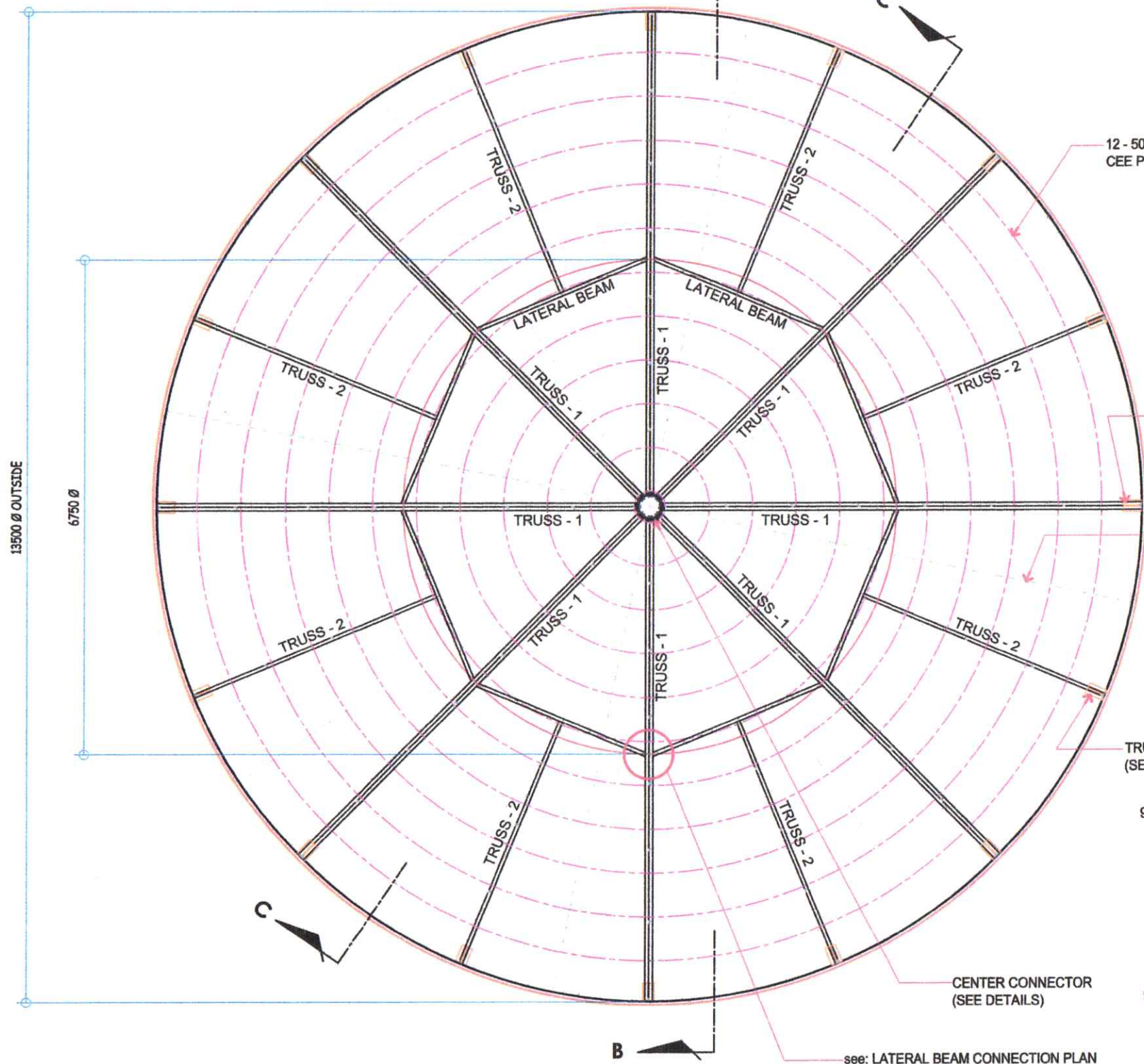
SUPPLY PIPE DETAILS
SCALE: 1/10 MM

<p>GENERAL SANTOS CITY WATER DISTRICT E. FERNANDEZ STREET, BRGY. LAGAO, GEN. SANTOS CITY ENGINEERING & CONSTRUCTION DEPARTMENT PLANNING AND DESIGN DIVISION TEL. NO.: (083) 552 - 3824</p>	 ENGR. RIZZA R. BAUGBOG CIVIL ENGINEER	TITLE:	CHECKED:	REVIEWED:	APPROVED:	CONTENTS:	SHEET NO.
	REG. NO. 0142095 TIN. NO. 701-433-494 PTR. NO. 9492304 DATE: 01-11-2021	CONSTRUCTION OF 1000 CU.M. CYLINDRICAL GROUND STEEL TANK	 ENGR. ROLLY A. GUNDA OIC - PDD	 ENGR. ROGELIO A. BESANA, JR. MANAGER A - ECD	 ENGR. ARN B. GELLANGARIN GENERAL MANAGER	AS PER PLAN	3
	PRK. CABUAY, BRGY. SINAWAL, GEN. SANTOS CITY	DRAWN BY: ESA REV. NO. CHECKED BY: RAG DATE: 02/05/2021					

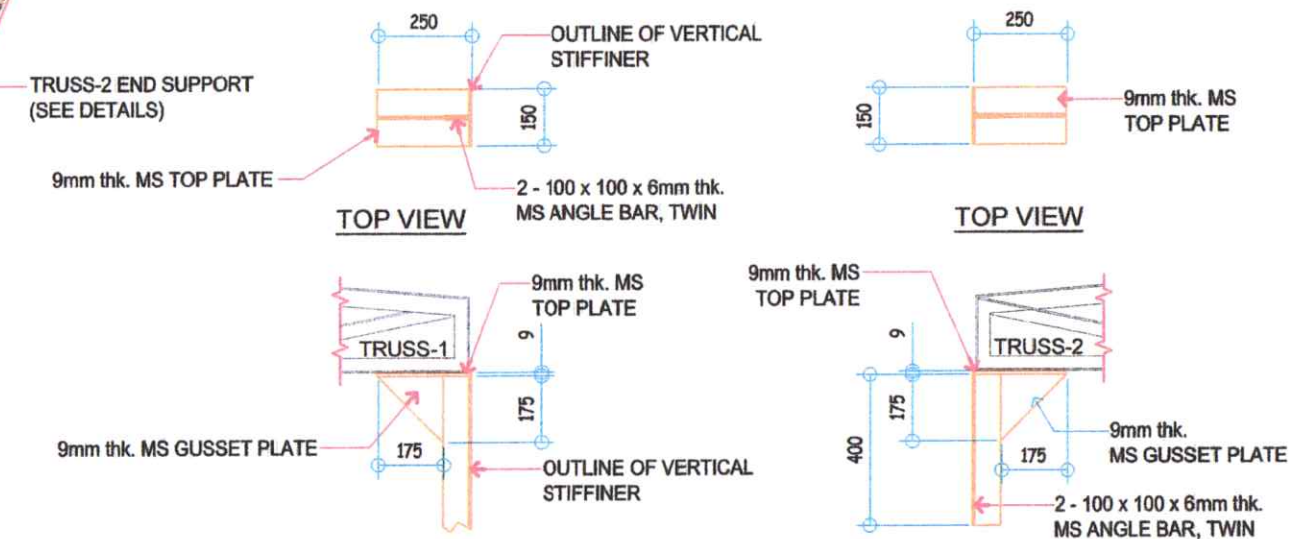


CROSS SECTION
SCALE 1 : 70 MM

 <p>GENERAL SANTOS CITY WATER DISTRICT E. FERNANDEZ STREET, BRGY. LAGAO, GEN. SANTOS CITY ENGINEERING & CONSTRUCTION DEPARTMENT PLANNING AND DESIGN DIVISION TEL. NO.: (083) 552 - 3824</p>	 <p>ENGR. RIZZA R. BAUGBOG CIVIL ENGINEER</p>	TITLE:	CHECKED:	REVIEWED:	APPROVED:	CONTENTS:	SHEET NO.
	<p>REG. NO. 0142095 TIN. NO. 701-433-494</p> <p>PTR. NO. 9492304 DATE: 01-11-2021</p>	<p>CONSTRUCTION OF 1000 CU.M. CYLINDRICAL GROUND STEEL TANK</p>	 <p>ENGR. ROLLY A. GUNDA OIC - PDD</p>	 <p>ENGR. ROGELIO A. BESANA, JR. MANAGER A - ECD</p>	 <p>ENGR. ARN B. GELLANGARIN GENERAL MANAGER</p>	<p>AS PER PLAN</p>	<p>4</p>
	<p>CHECKED BY: RAG DATE: 02 / 05 / 2021</p>	<p>PRK. CABUAY, BRGY. SINAWAL, GEN. SANTOS CITY</p>	<p>DRAWN BY: ESA REV. NC:</p>	<p>CHECKED BY: RAG DATE: 02 / 05 / 2021</p>	<p>GENERAL MANAGER</p>	<p>AS PER PLAN</p>	<p>4</p>



CENTER CONNECTOR DET.
SCALE: 1:20 MM

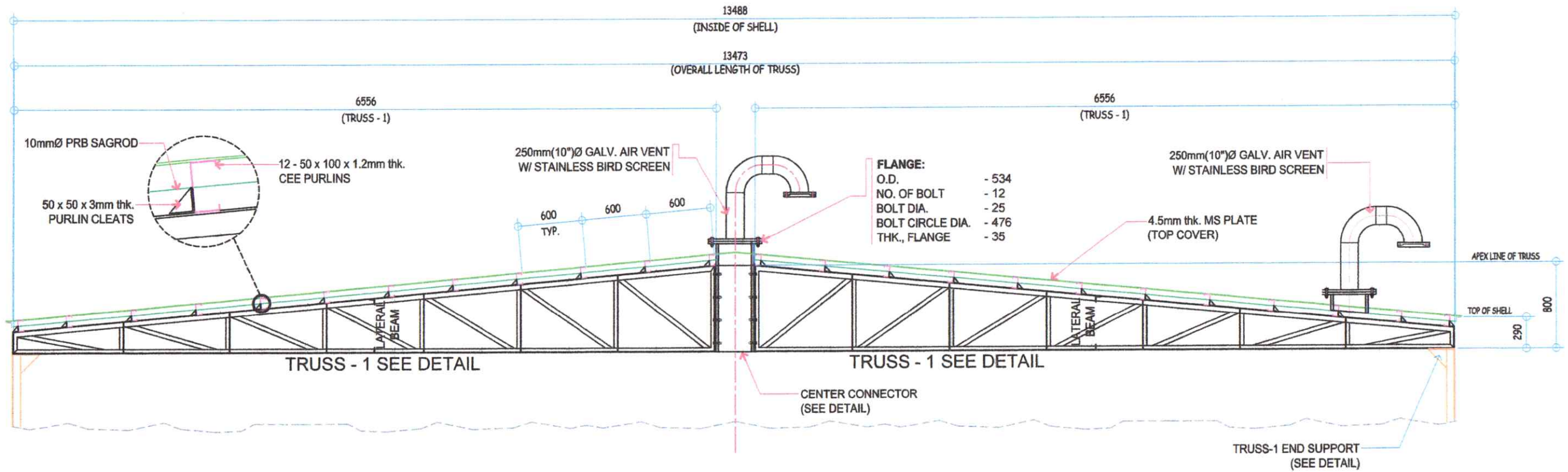


ROOF FRAMING DETAILS
SCALE: 1:70 MM

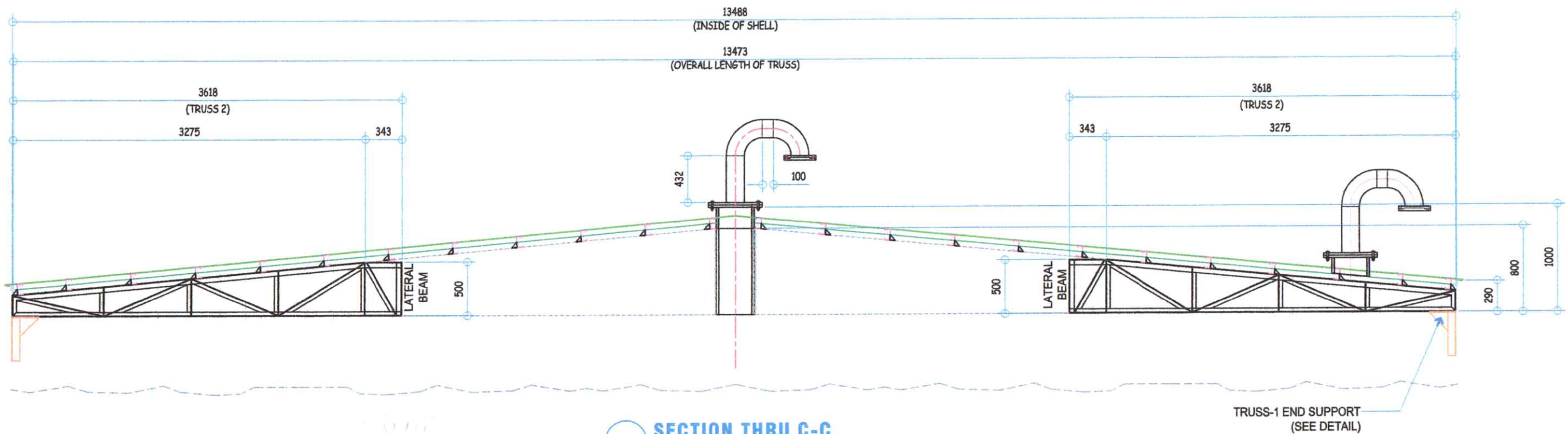
TRUSS 1 END SUPPORT DET.
SCALE: 1:20 MM

TRUSS 2 END SUPPORT DET.
SCALE: 1:20 MM

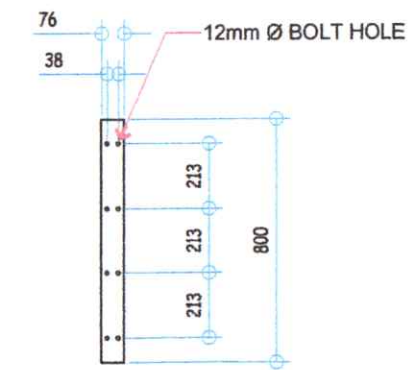
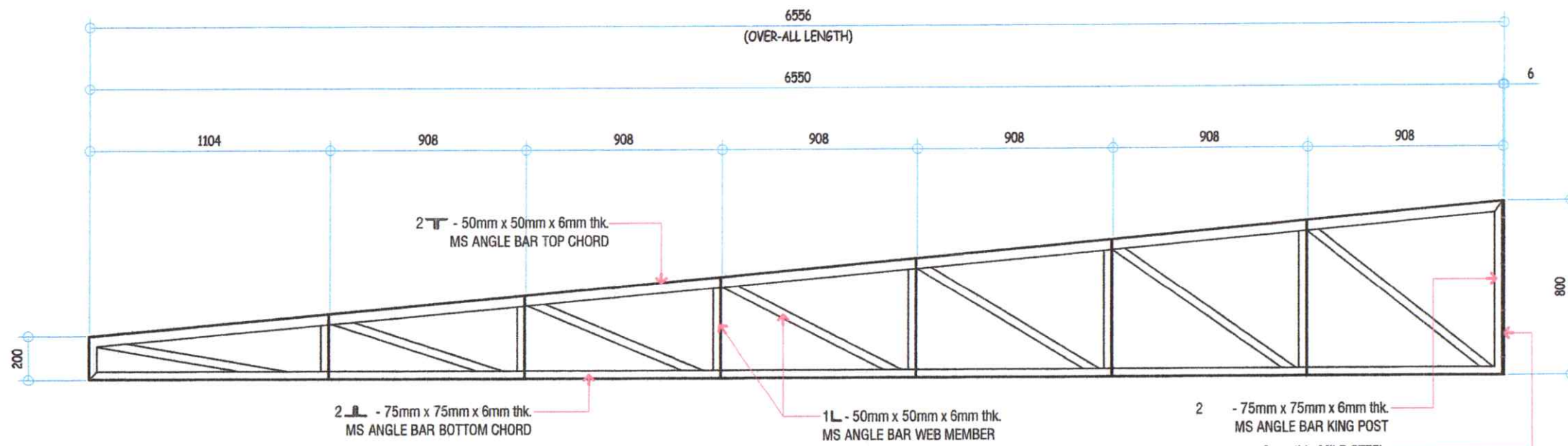
<p>GENERAL SANTOS CITY WATER DISTRICT E. FERNANDEZ STREET, BRGY. LAGAO, GEN. SANTOS CITY ENGINEERING & CONSTRUCTION DEPARTMENT PLANNING AND DESIGN DIVISION TEL. NO.: (083) 552 - 3824</p>	 ENGR. RIZZA R. BAUGBOG CIVIL ENGINEER	TITLE:	CHECKED:	REVIEWED:	APPROVED:	CONTENTS:	SHEET NO.	
	REG. NO. 0142095 PTR. NO. 9492304	TIN. NO. 701-433-494 DATE: 01-11-2021	CONSTRUCTION OF 1000 CU.M. CYLINDRICAL GROUND STEEL TANK	 ENGR. ROLLY A. GUNDAY OIC - PDD	 ENGR. ROGELIO A. BESANA, JR. MANAGER A - ECD	 ENGR. ARN B. GELLANGARIN GENERAL MANAGER	AS PER PLAN DRAWN BY: ESA CHECKED BY: RAG REV. NO. DATE: 02/05/2021	5
	PRK. CABUAY, BRGY. SINAWAL, GEN. SANTOS CITY		OIC - PDD		GENERAL MANAGER			



SECTION THRU B-B
SCALE: 1:40 MM

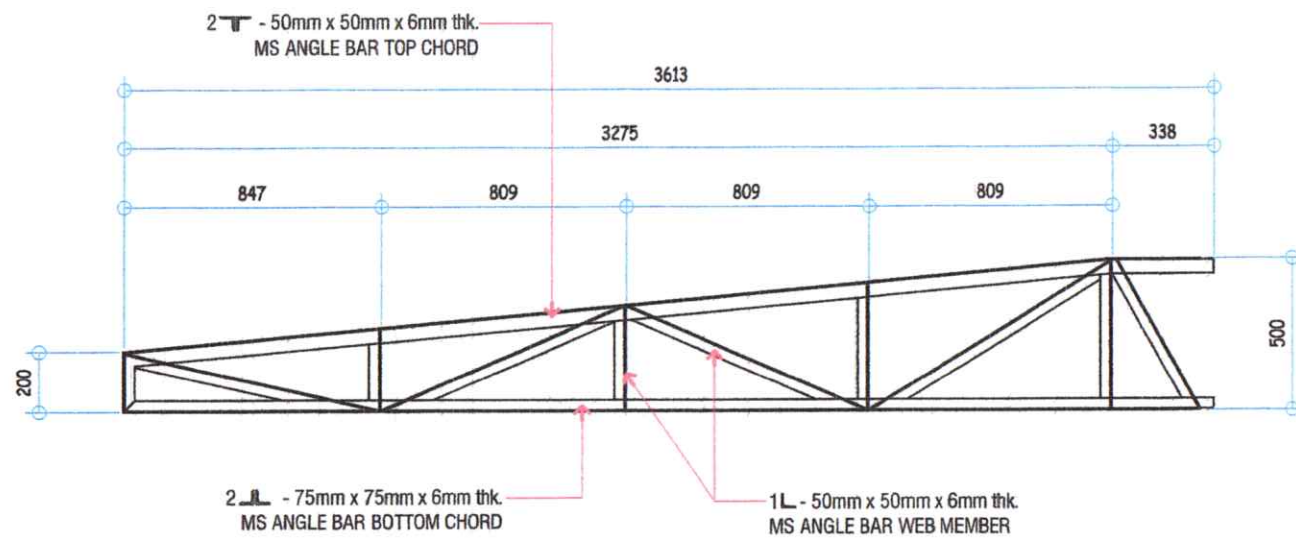


SECTION THRU C-C
SCALE: 1:40 MM

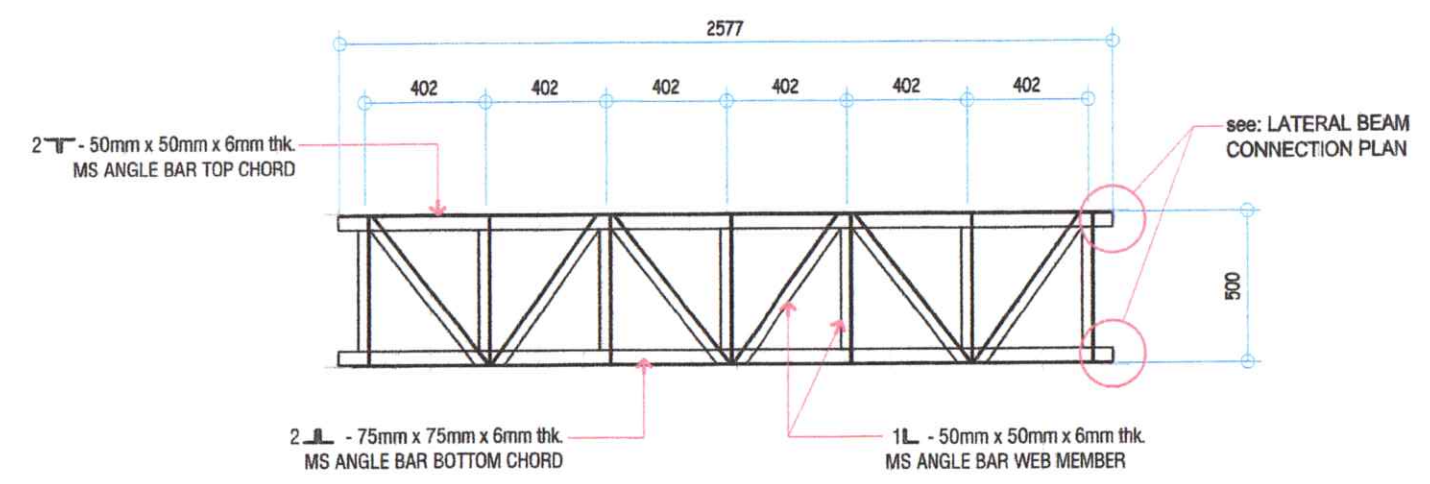


SIDE VIEW SECTION

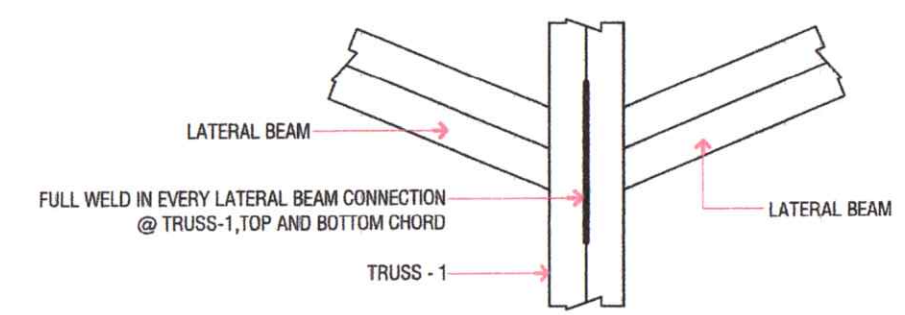
TRUSS-1 DETAIL
SCALE: 1:25 MM



TRUSS-2 DETAIL
SCALE: 1:25 MM

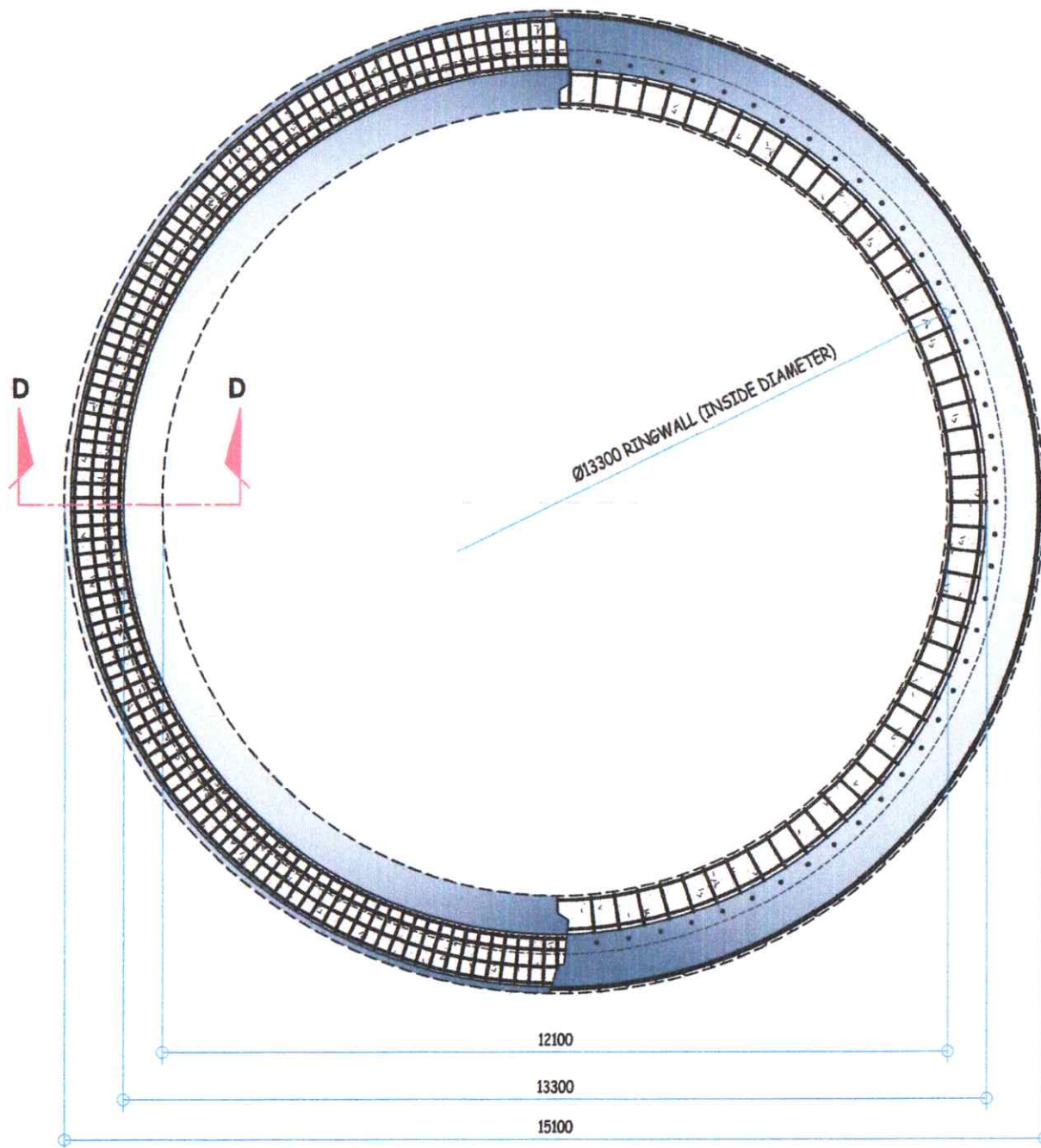


LATERAL BEAM DETAIL
SCALE: 1:25 MM

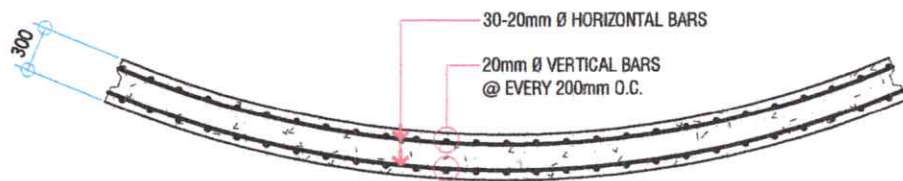


LATERAL BEAM CONNECTION PLAN
SCALE: 1:10 MM

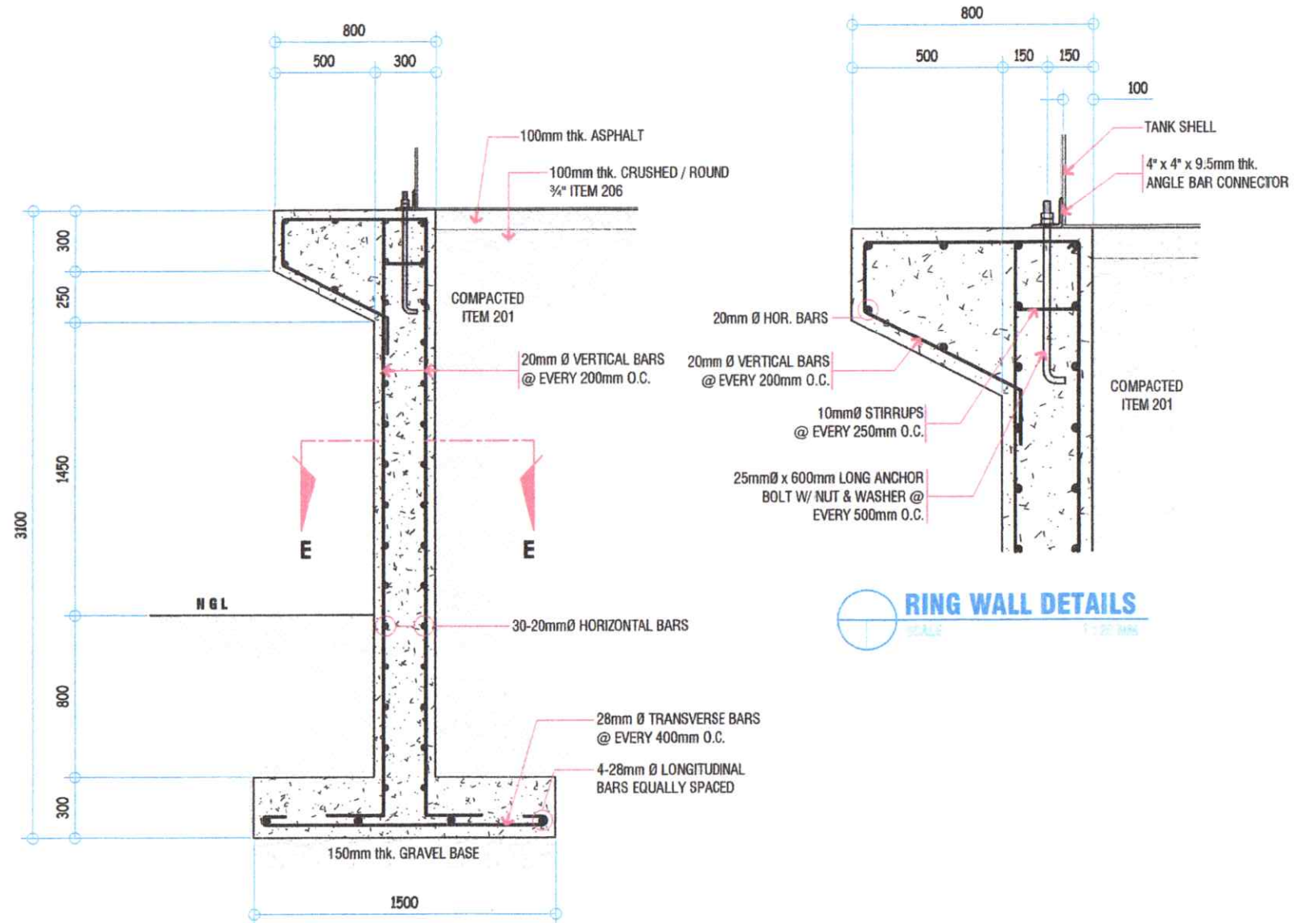
<p>GENERAL SANTOS CITY WATER DISTRICT E. FERNANDEZ STREET, BRGY. LAGAO, GEN. SANTOS CITY ENGINEERING & CONSTRUCTION DEPARTMENT PLANNING AND DESIGN DIVISION TEL. NO.: (083) 552 - 3824</p>	 ENGR. RIZZA R. BAUGBOG CIVIL ENGINEER	TITLE:	CHECKED:	REVIEWED:	APPROVED:	CONTENTS:	SHEET NO.
		CONSTRUCTION OF 1000 CU.M. CYLINDRICAL GROUND STEEL TANK	 ENGR. ROLLY A. GUNDAY	 ENGR. ROGELIO A. BESANA, JR.	 ENGR. ARN B. GELLANGARIN	AS PER PLAN	7
		PRK. CABUAY, BRGY. SINAWAL, GEN. SANTOS CITY	OIC - PDD	MANAGER A - ECD	GENERAL MANAGER	DRAWN BY: ESA CHECKED BY: RAG	REV. NO. DATE: 02 / 05 / 2021
REG. NO. 0142095 PTR. NO. 9492304	TIN. NO. 701-433-494 DATE: 01-11-2021						



CIRCULAR RING WALL PLAN
SCALE 1 : 100 MM

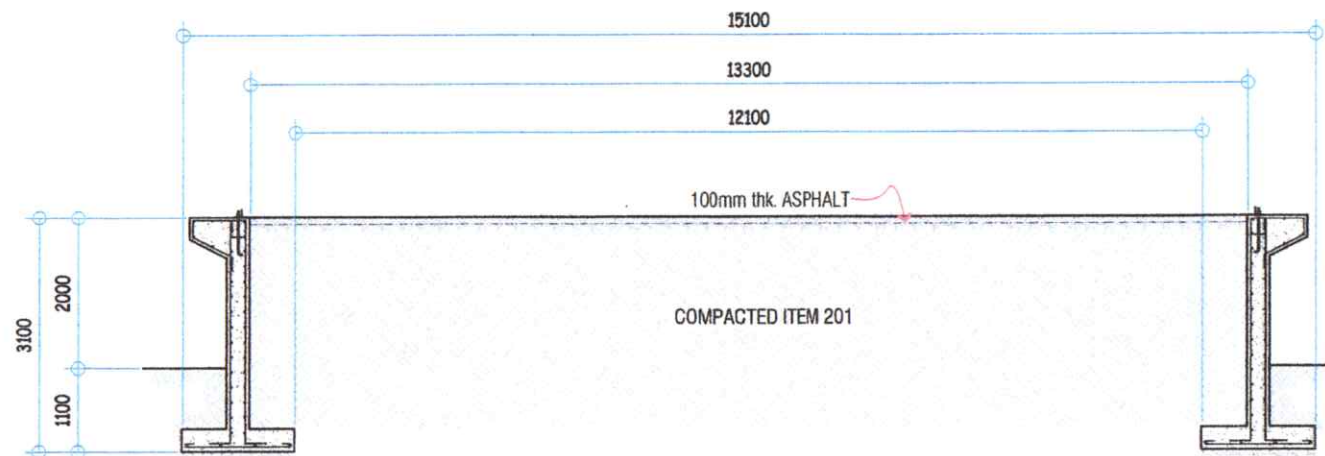


SECTION THRU E-E
SCALE 1 : 50 MM

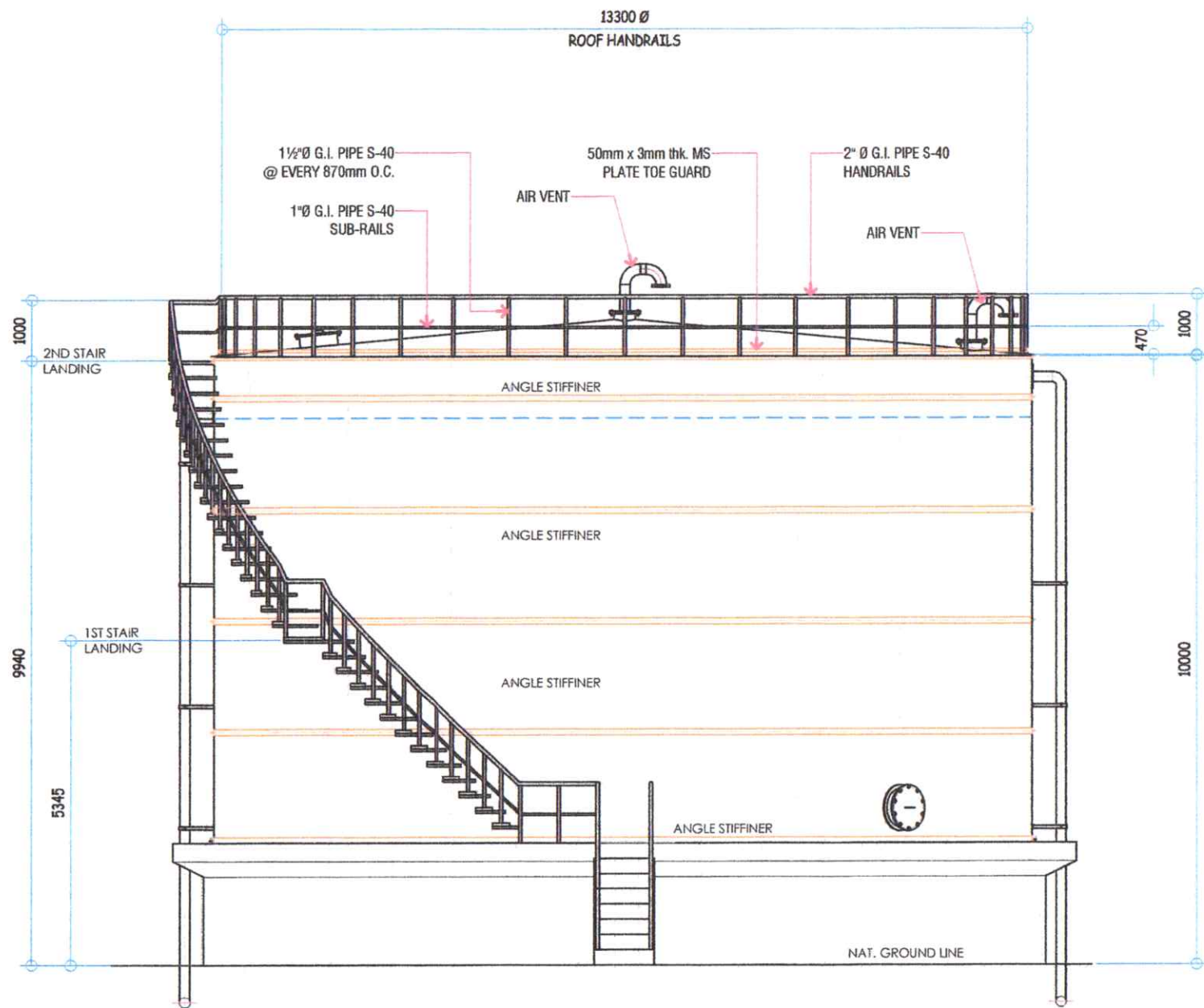


RING WALL DETAILS
SCALE 1 : 25 MM

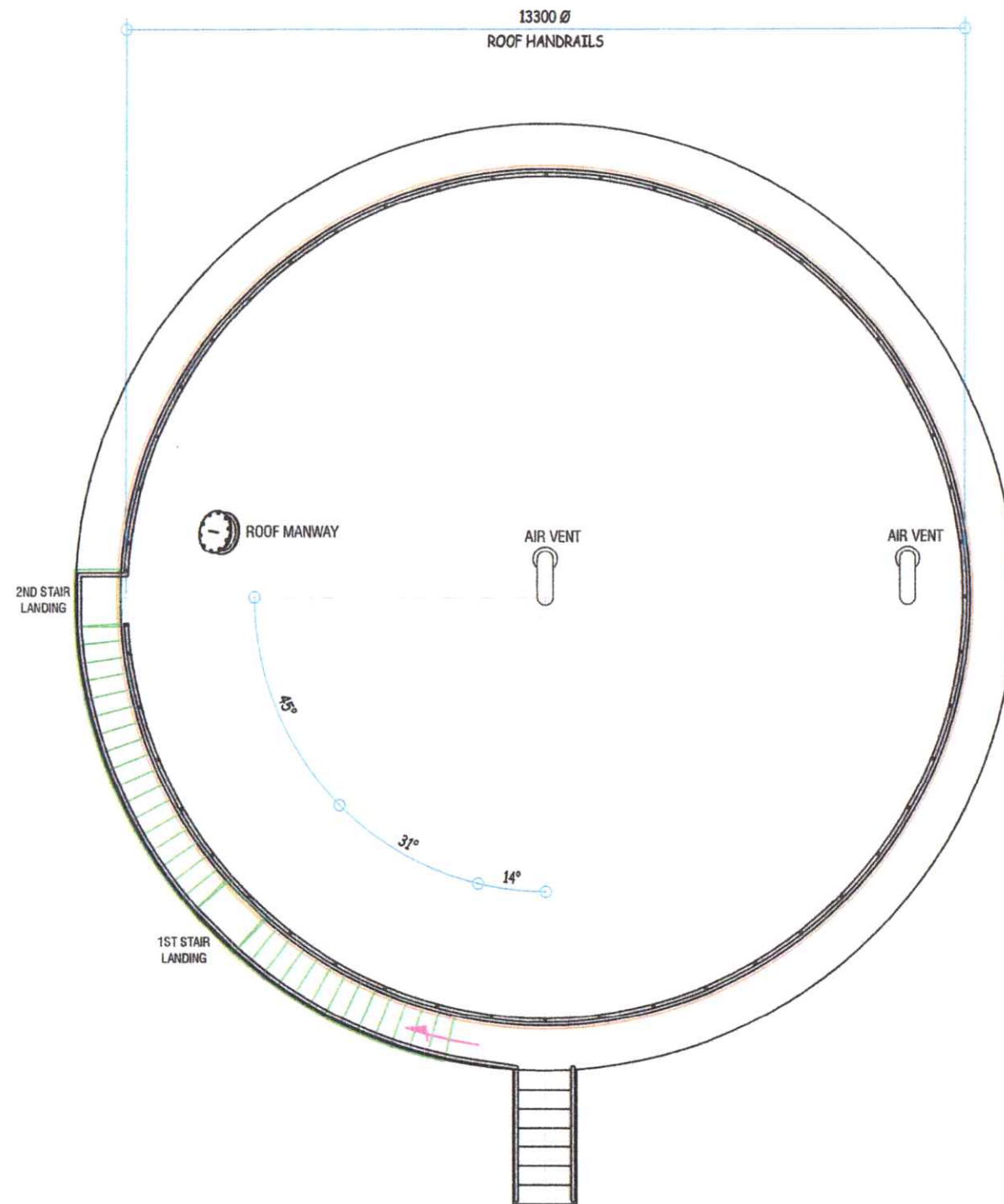
SECTION THRU D-D
SCALE 1 : 50 MM



CIRCULAR RING WALL SECTION
SCALE 1 : 100 MM

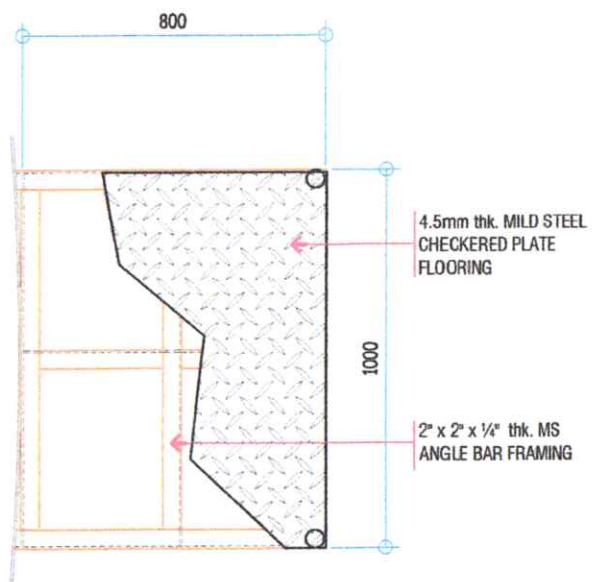


ELEVATION

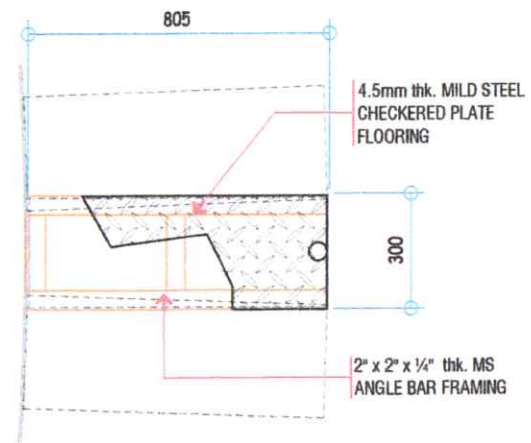


PLAN

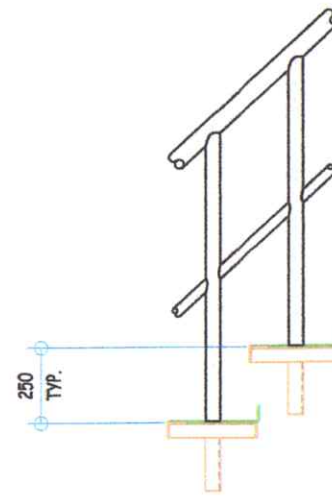
ROOF HANDRAILS & STAIR DETAILS
SCALE 1:100 MIN.



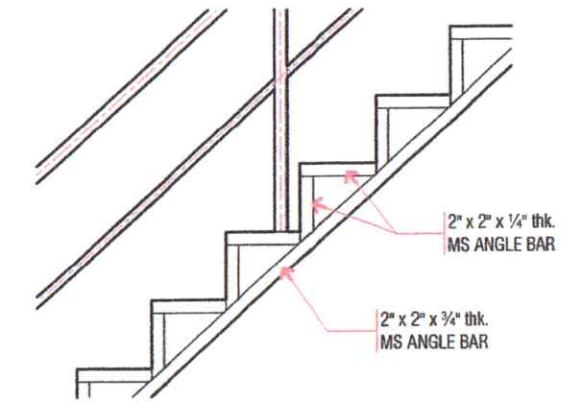
LANDING PLAN (TYPICAL)



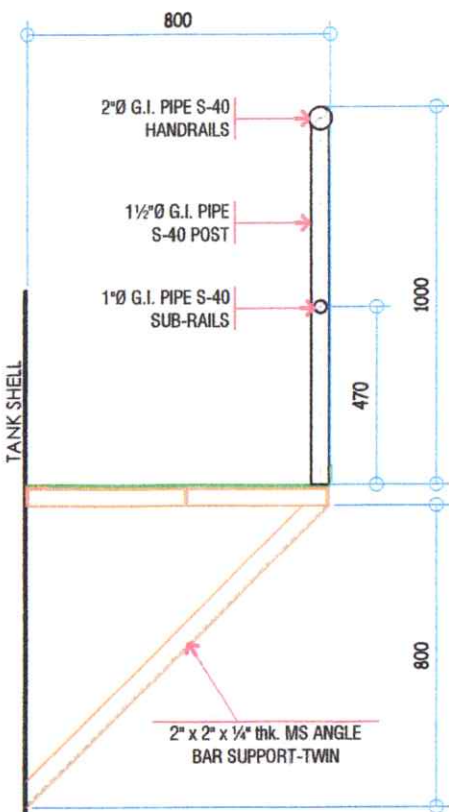
STAIR PLAN (TYPICAL)



SIDE VIEW

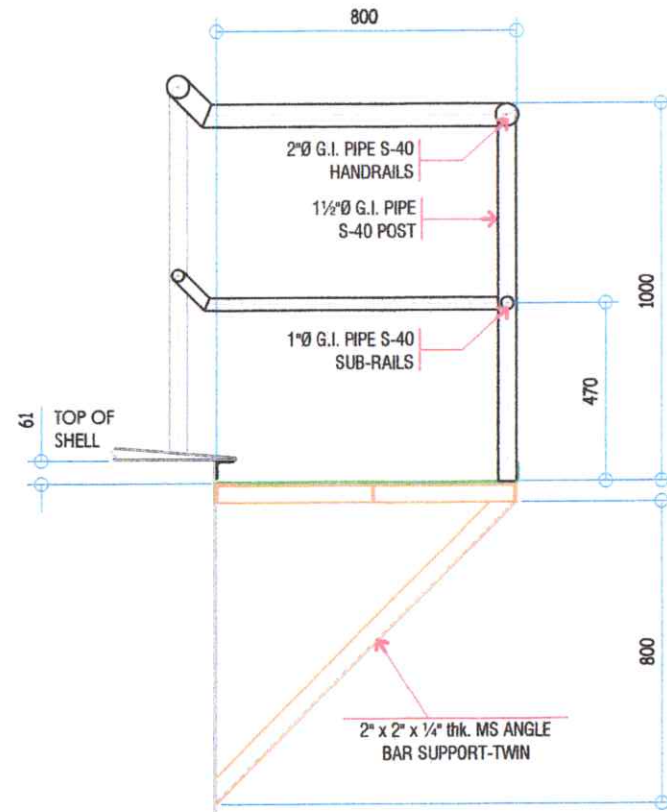


STRINGER DETAILS



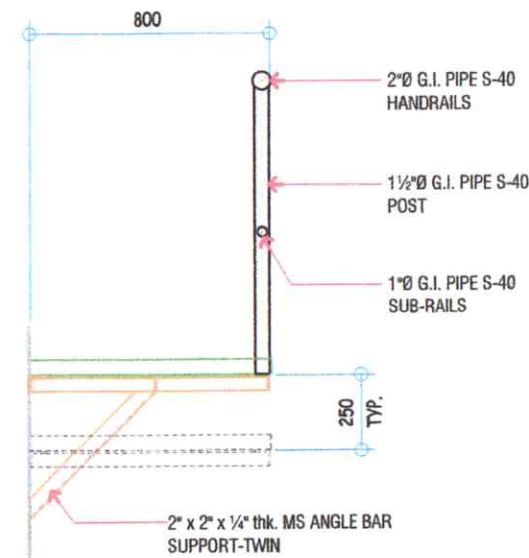
FRONT VIEW

1ST LANDING DETAILS

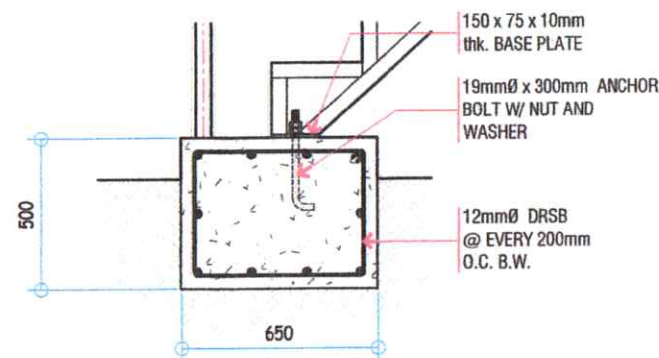


FRONT VIEW

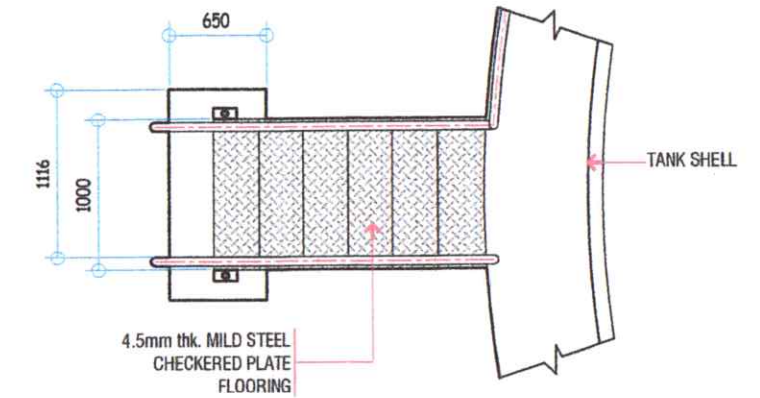
2ND LANDING DETAILS



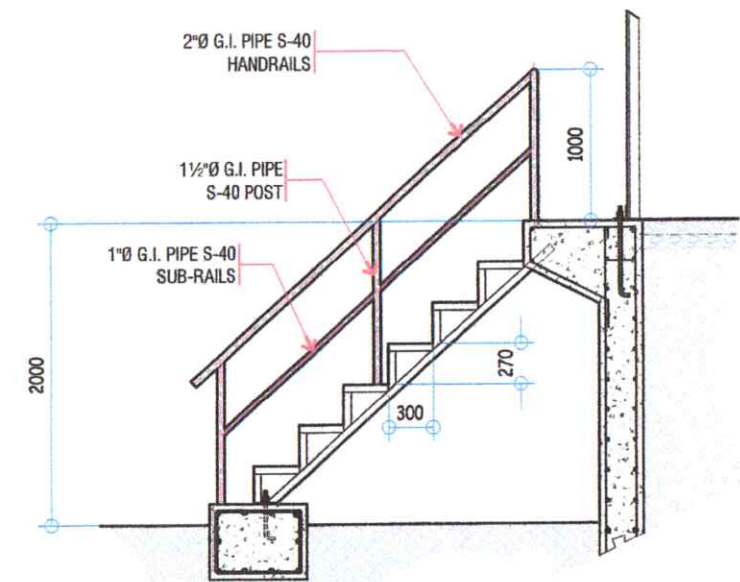
FRONT VIEW



STAIR CONC. BASE DETAILS

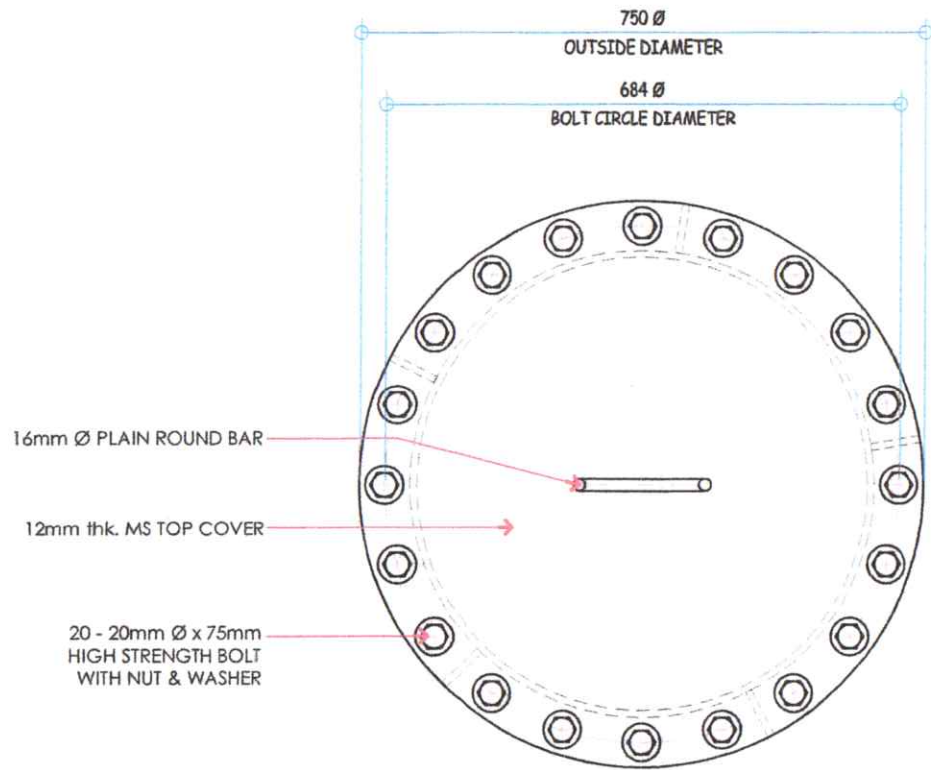


TOP VIEW

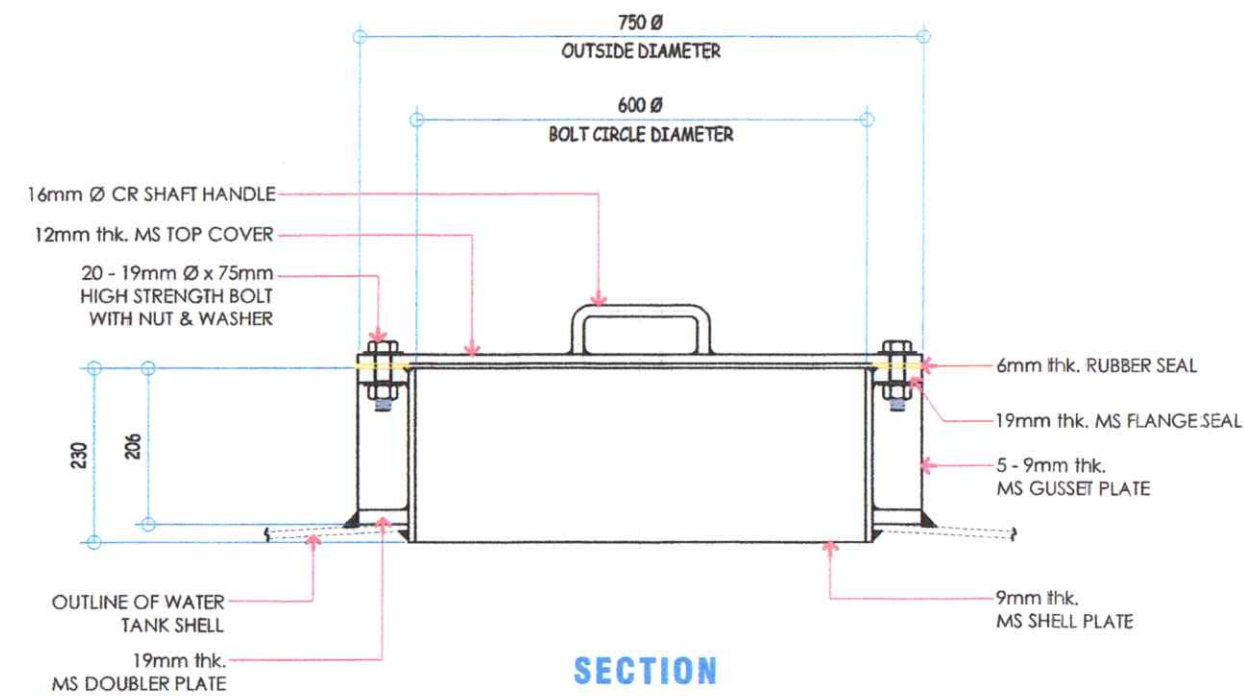


SIDE VIEW

STAIR DETAILS

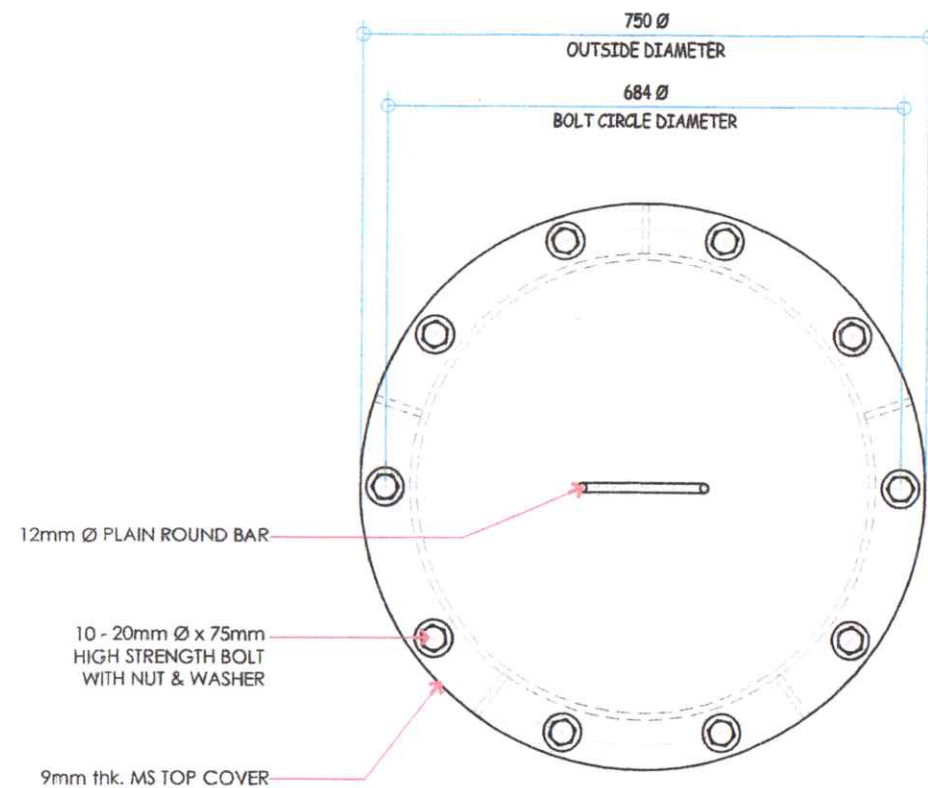


PLAN

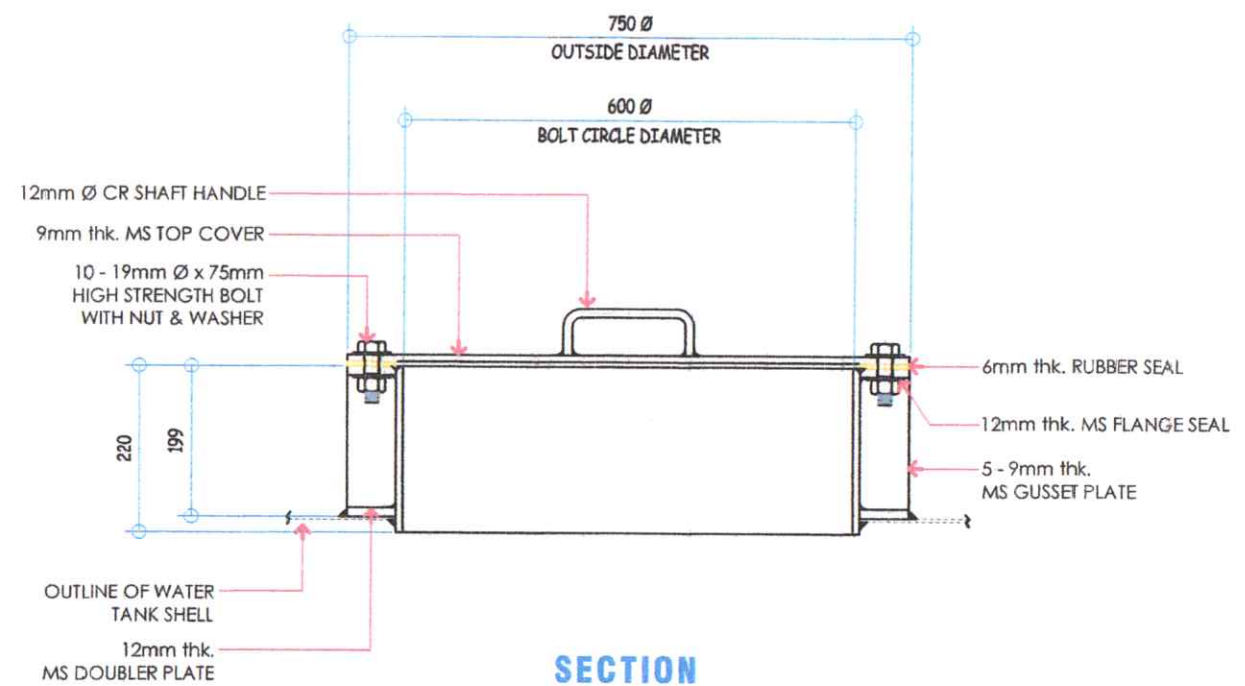


SECTION

SHELL MANWAY DETAILS
SCALE: 1:10 N/A

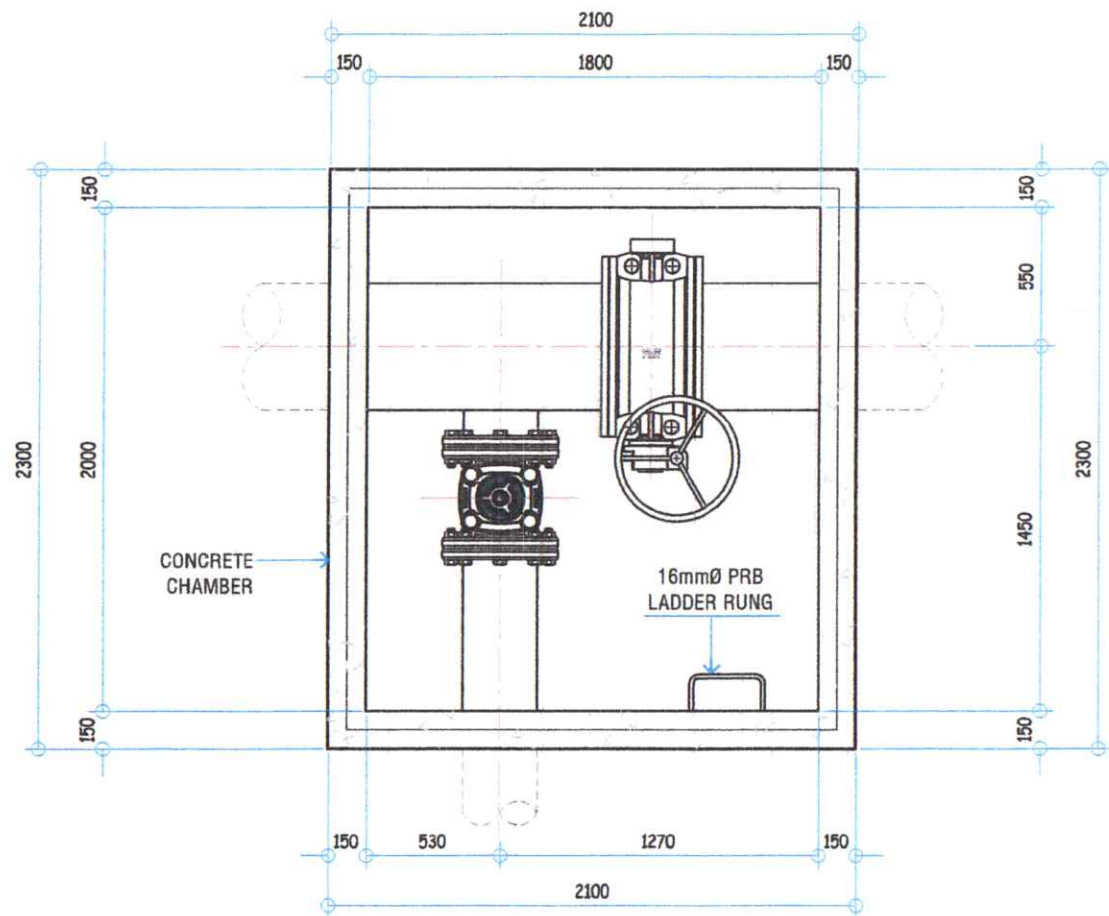


PLAN

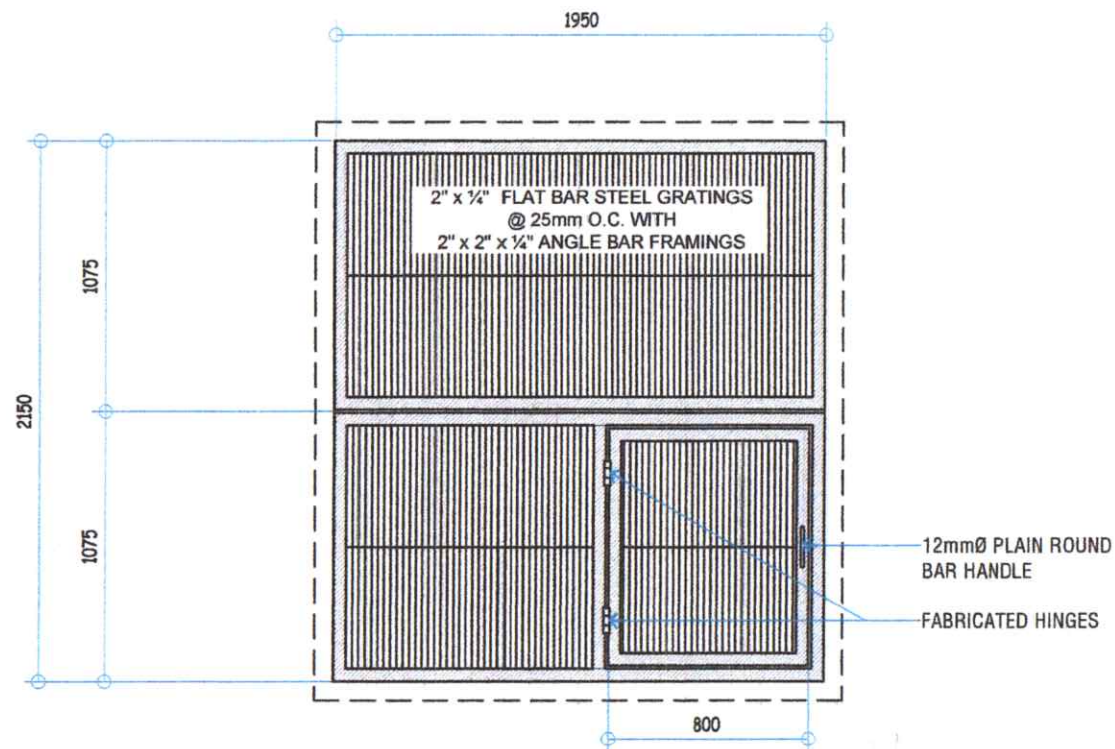


SECTION

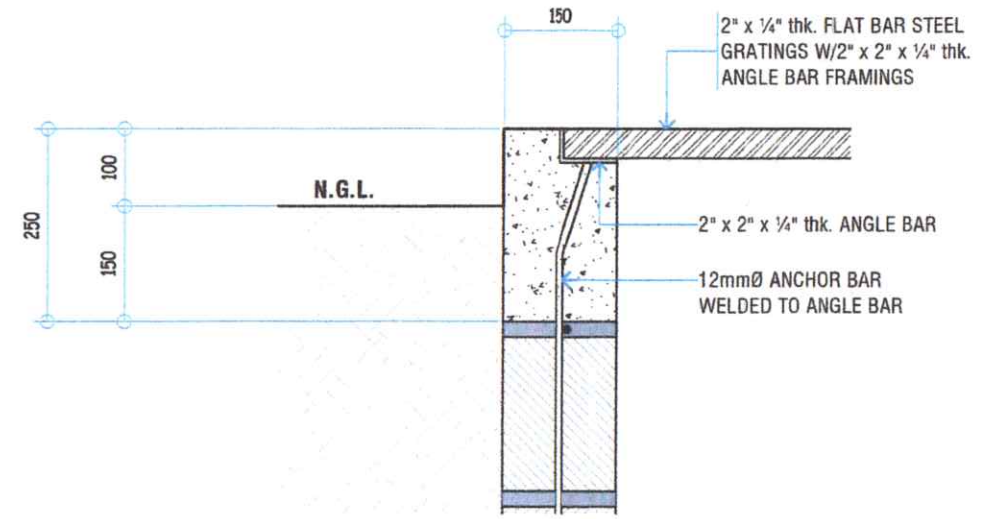
ROOF MANWAY DETAILS
SCALE: 1:10 N/A



VALVE CHAMBER PLAN
SCALE 1:80 MM



STEEL GRATINGS DETAILS
SCALE 1:80 MM

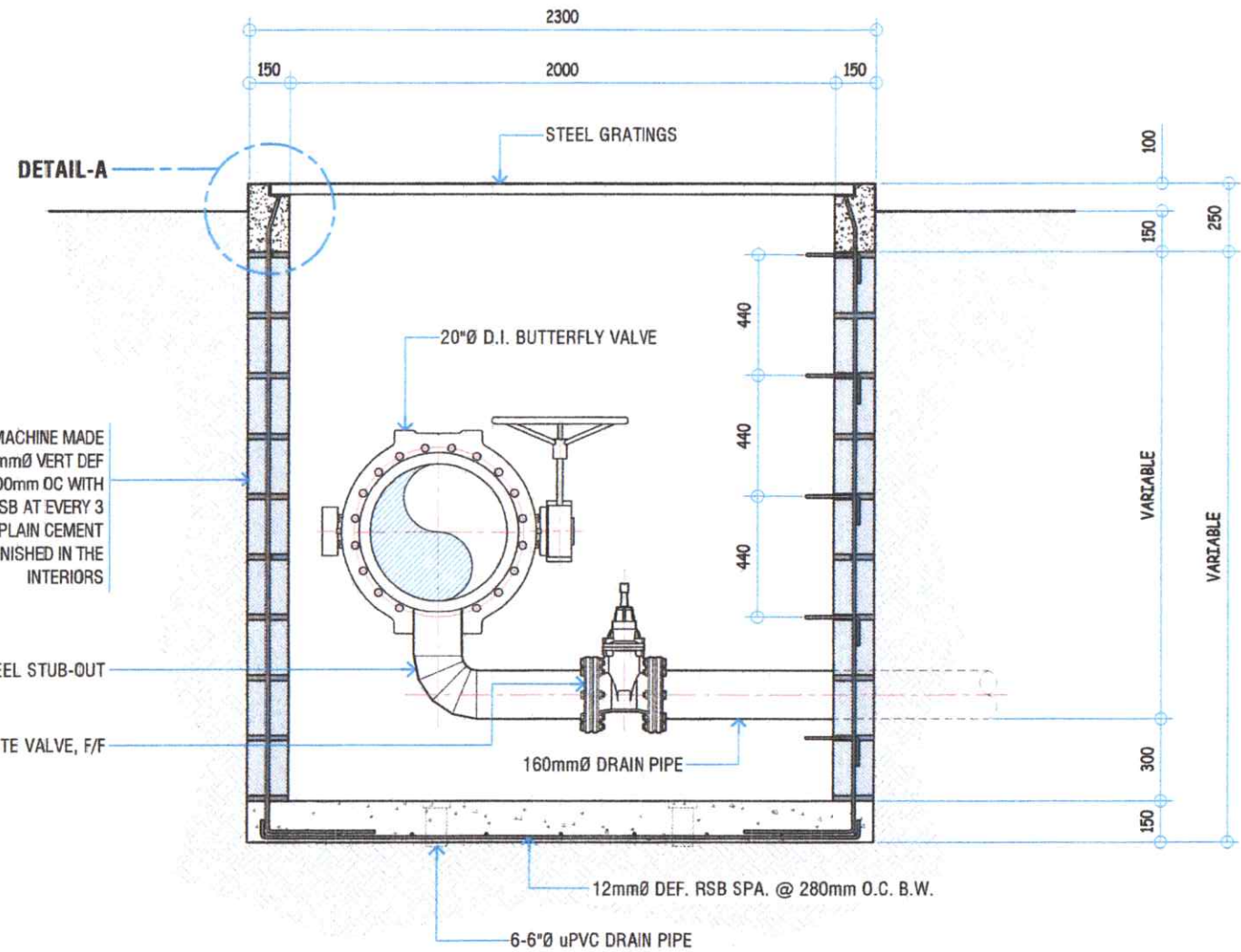


DETAIL - A
SCALE NTS

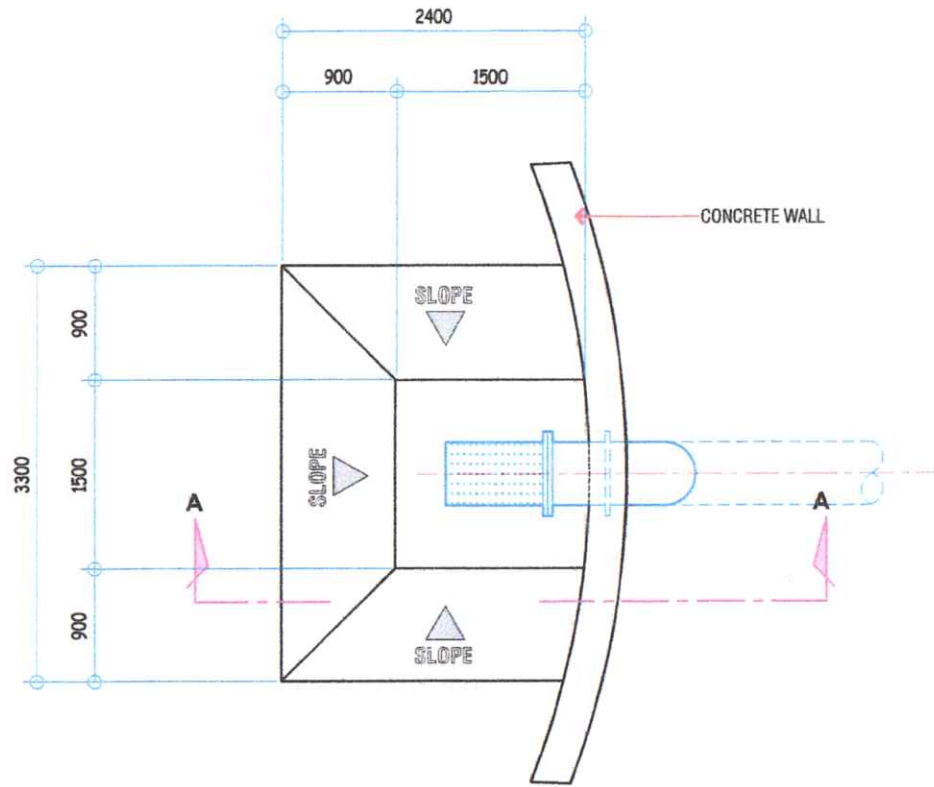
WALLING: 6" THK MACHINE MADE CHB WALL WITH 12mmØ VERT DEF RSB SPACED AT 600mm OC WITH 12mmØ HOR DEF RSB AT EVERY 3 LAYERS OF CHB ON PLAIN CEMENT PLASTER FINISHED IN THE INTERIORS

6"Ø STEEL STUB-OUT

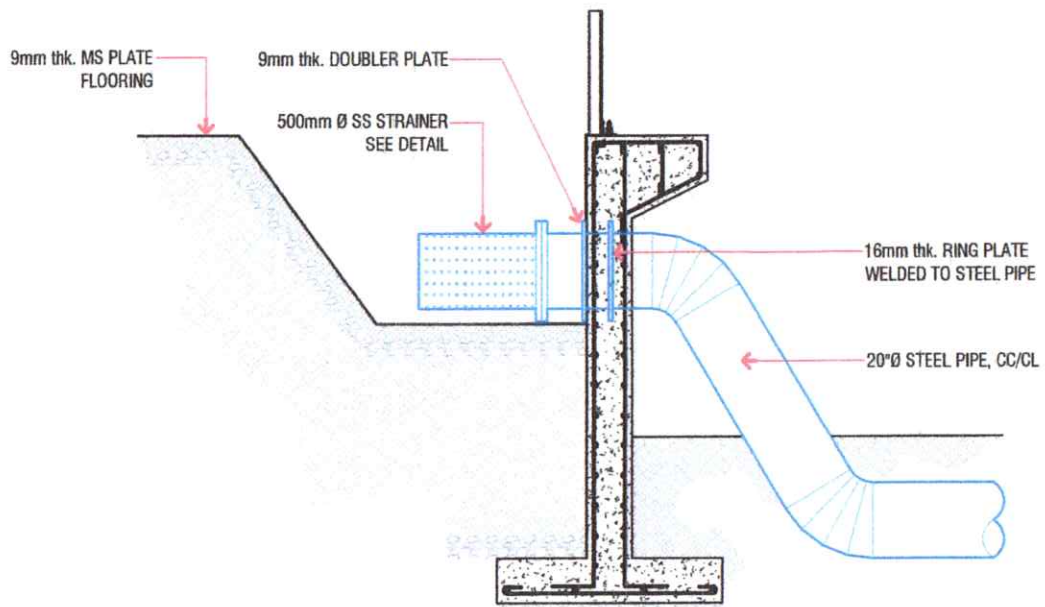
6"Ø D.I. GATE VALVE, F/F



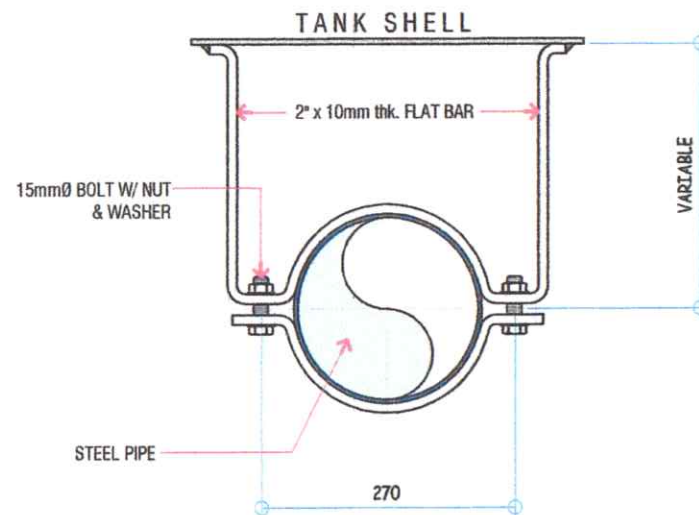
CROSS SECTION
SCALE 1:25 MM



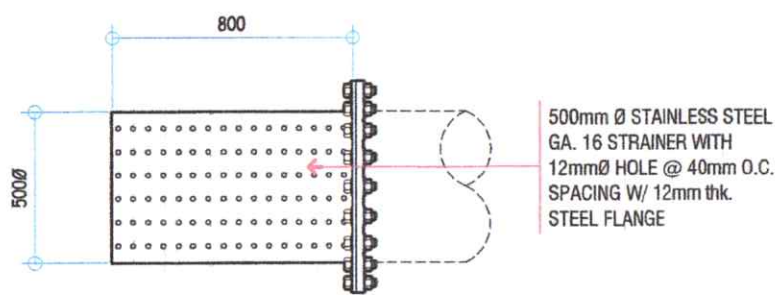
SUMP PIT PLAN
SCALE: 1:100 MM



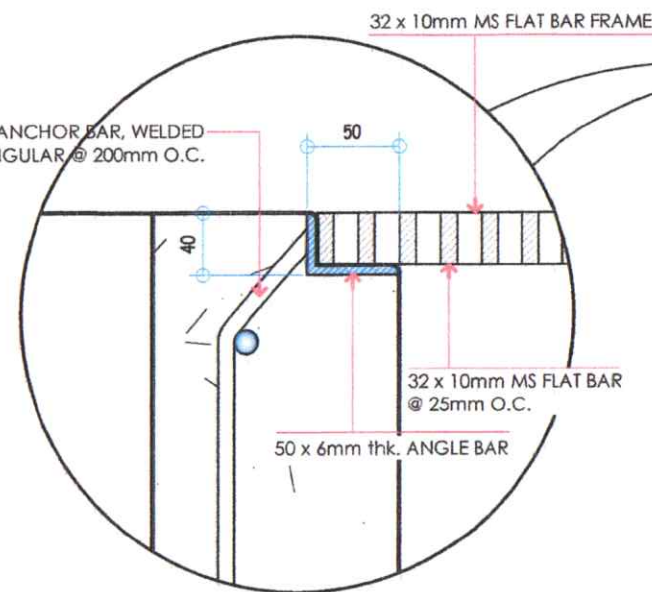
SECTION THRU A-A
SCALE: 1:50 MM



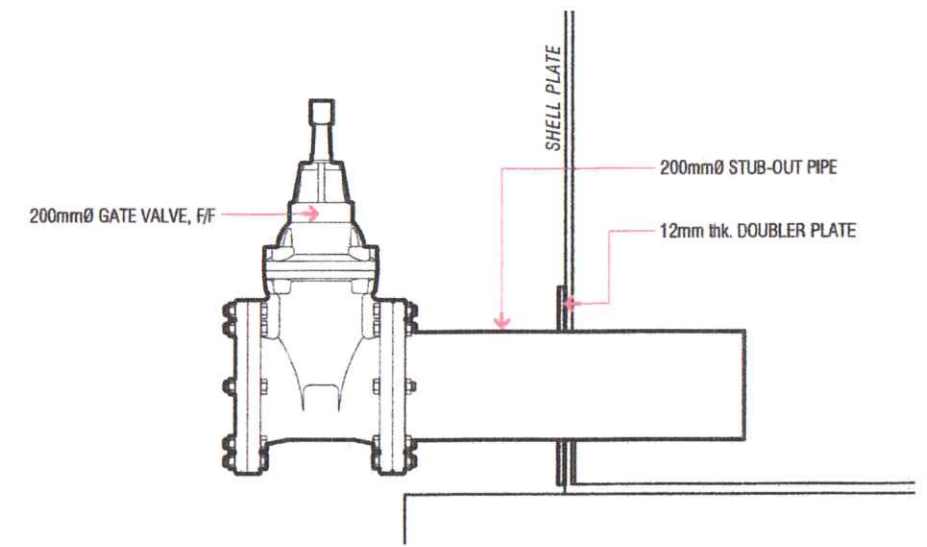
OFFSET PIPE CLAMP DETAILS
SCALE: 1:100 MM



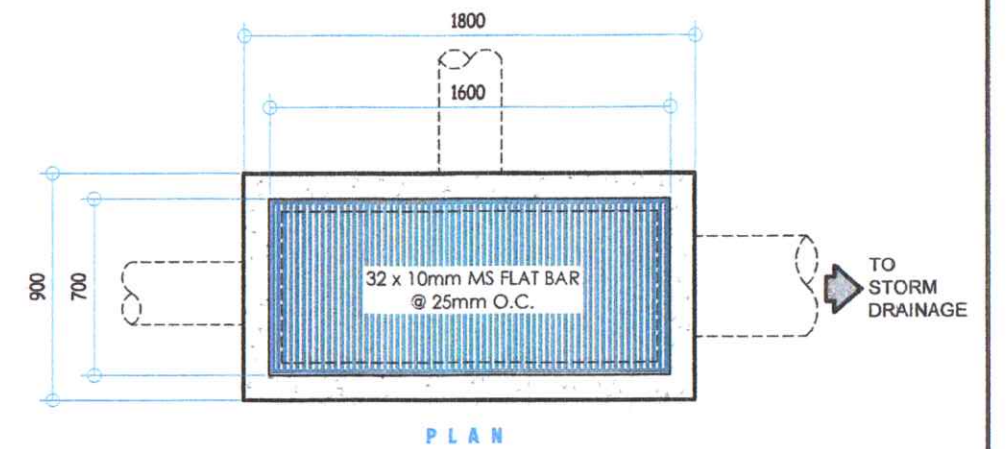
STRAINER DETAILS
SCALE: 1:20 MM



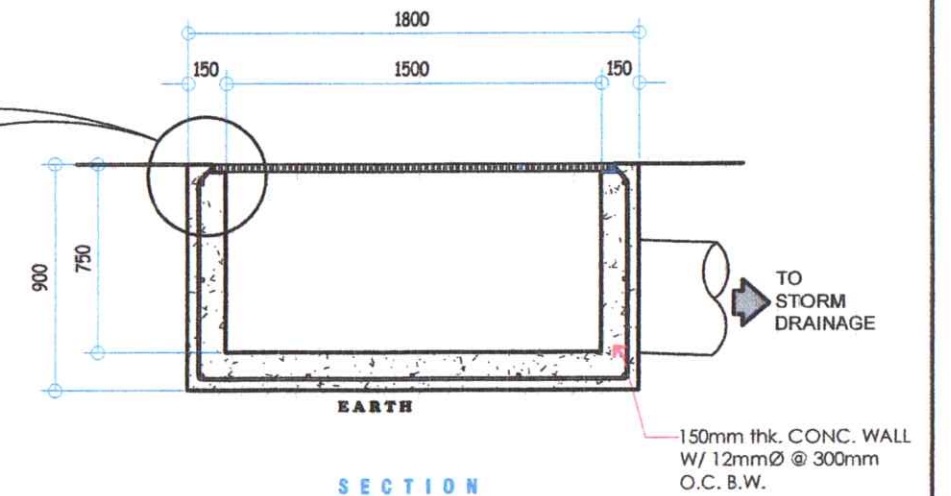
CATCH BASIN DETAILS
SCALE: 1:30 MM



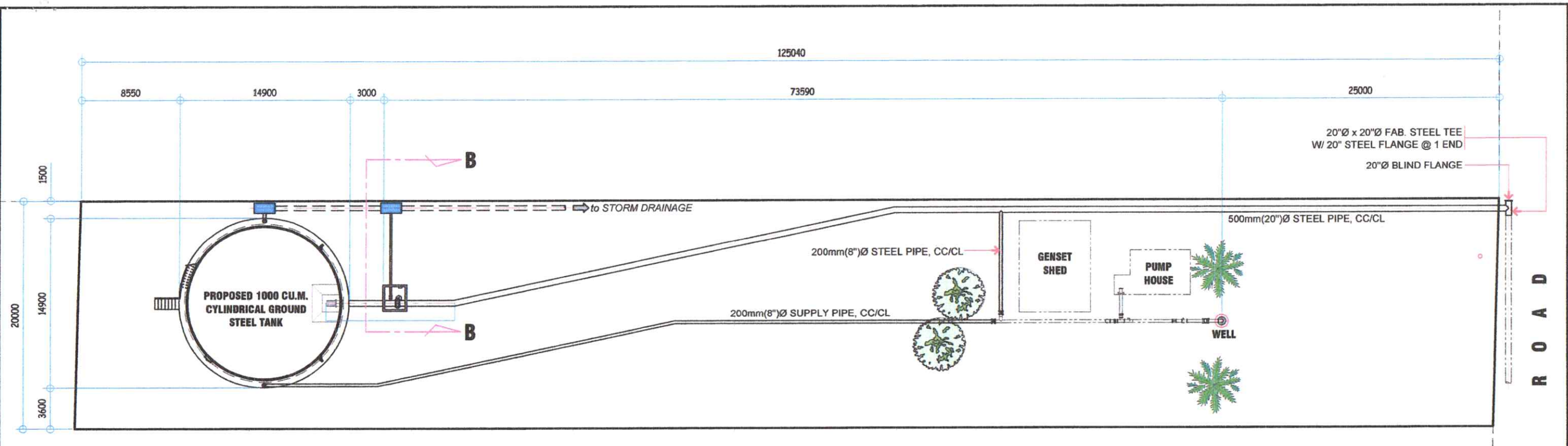
STUB-OUT PROVISION DETAILS
SCALE: 1:100 MM



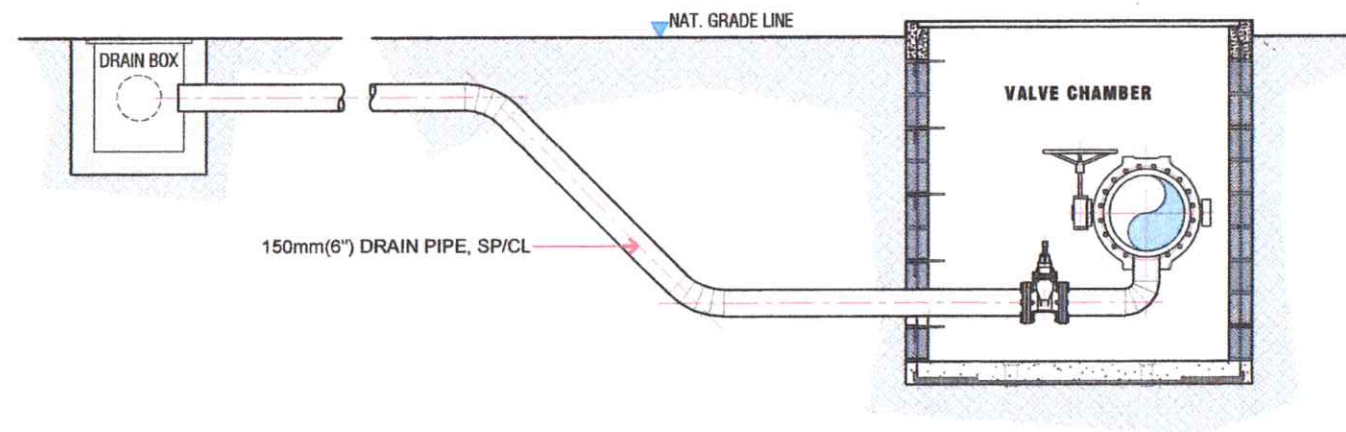
PLAN



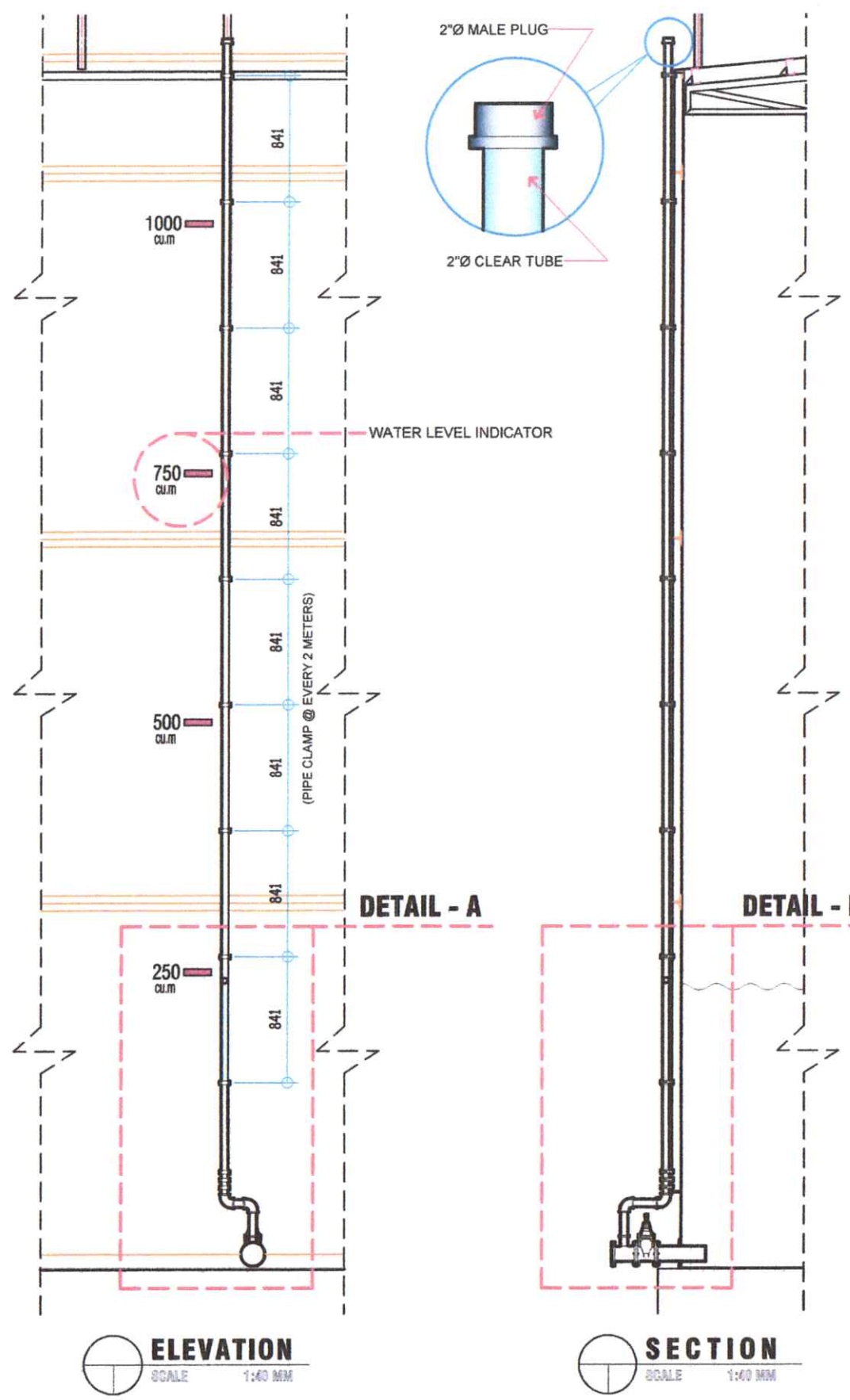
SECTION



PIPE DISTRIBUTION LAYOUT
 SCALE 1 : 350 MM



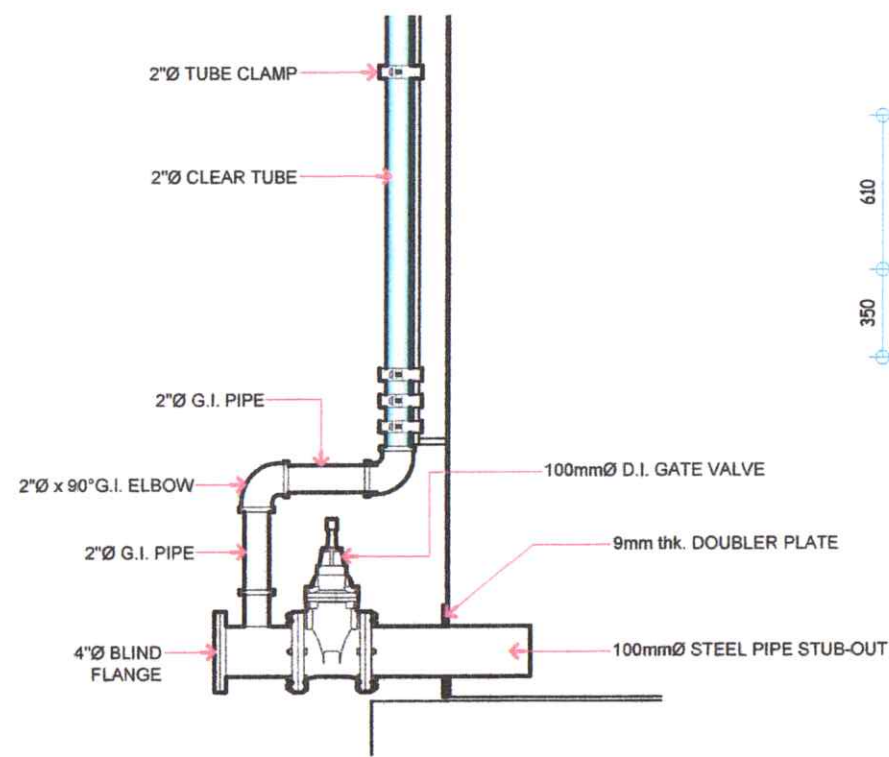
SECTION THRU B-B
 SCALE 1 : 50 MM



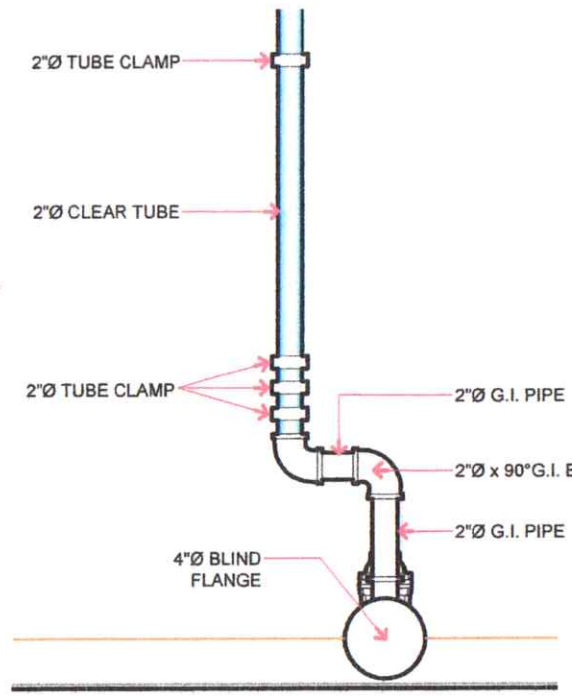
ELEVATION
SCALE 1:40 MM

SECTION
SCALE 1:40 MM

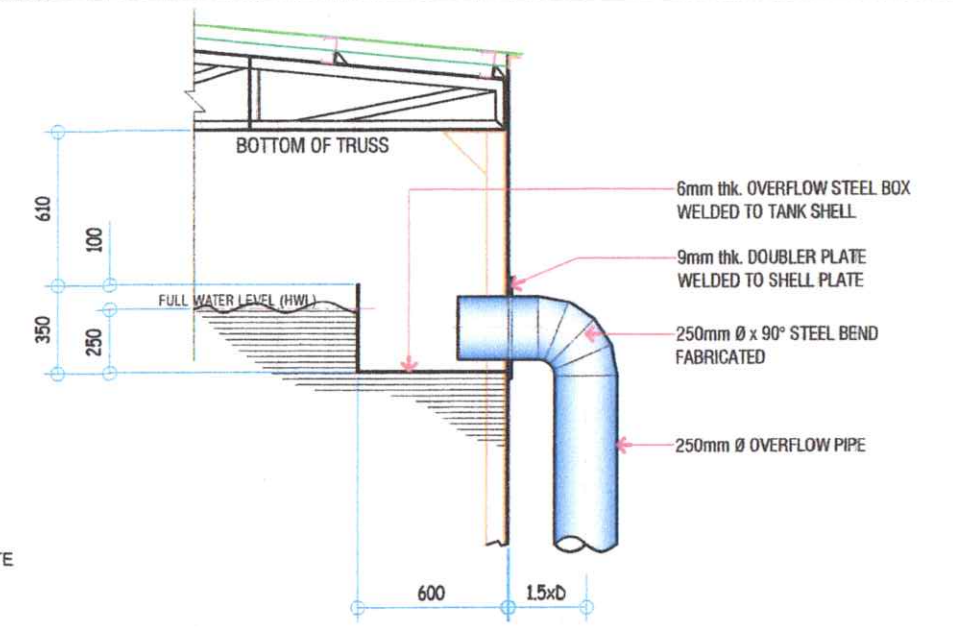
WATER LEVEL INDICATOR



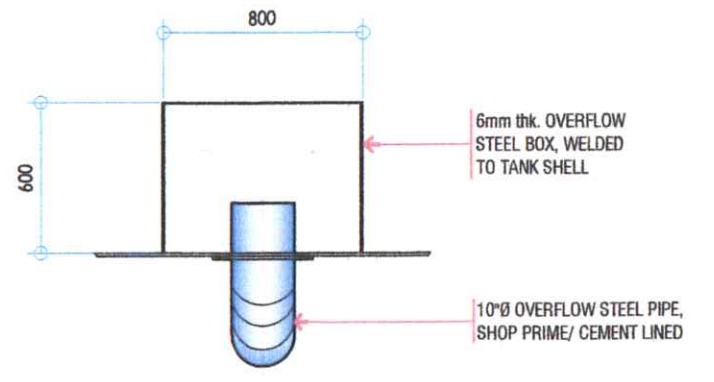
DETAIL - B
SCALE 1:15 MM



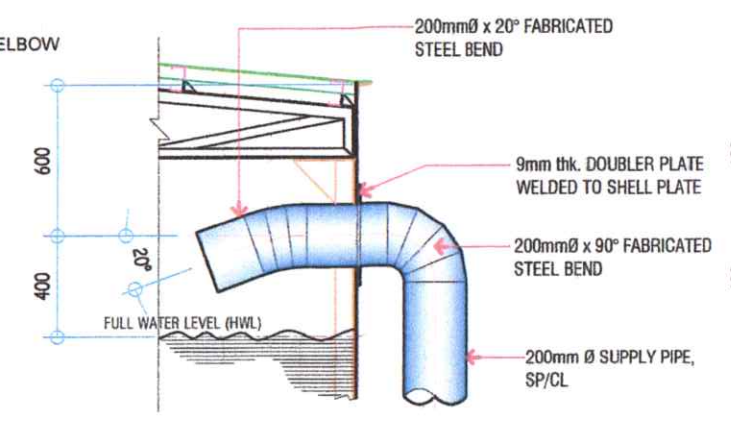
DETAIL - A
SCALE 1:15 MM



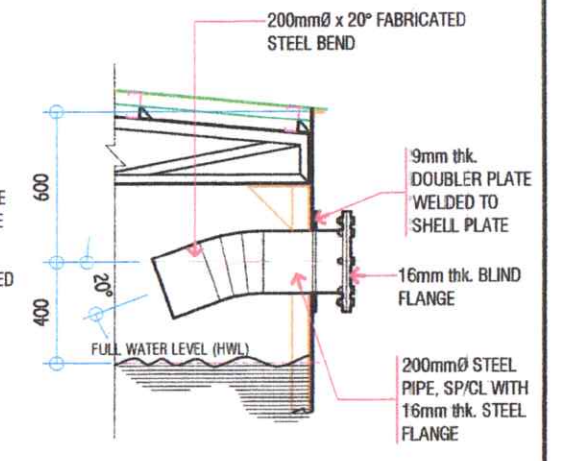
OVERFLOW PIPE DETAILS
SCALE 1:30 MM



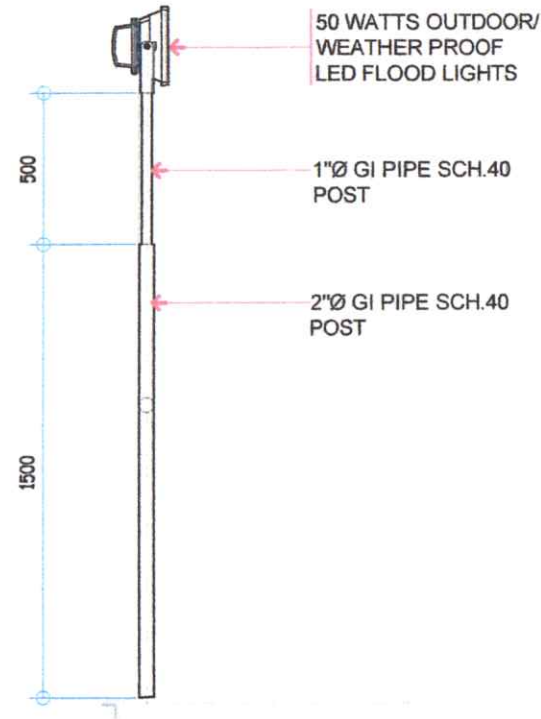
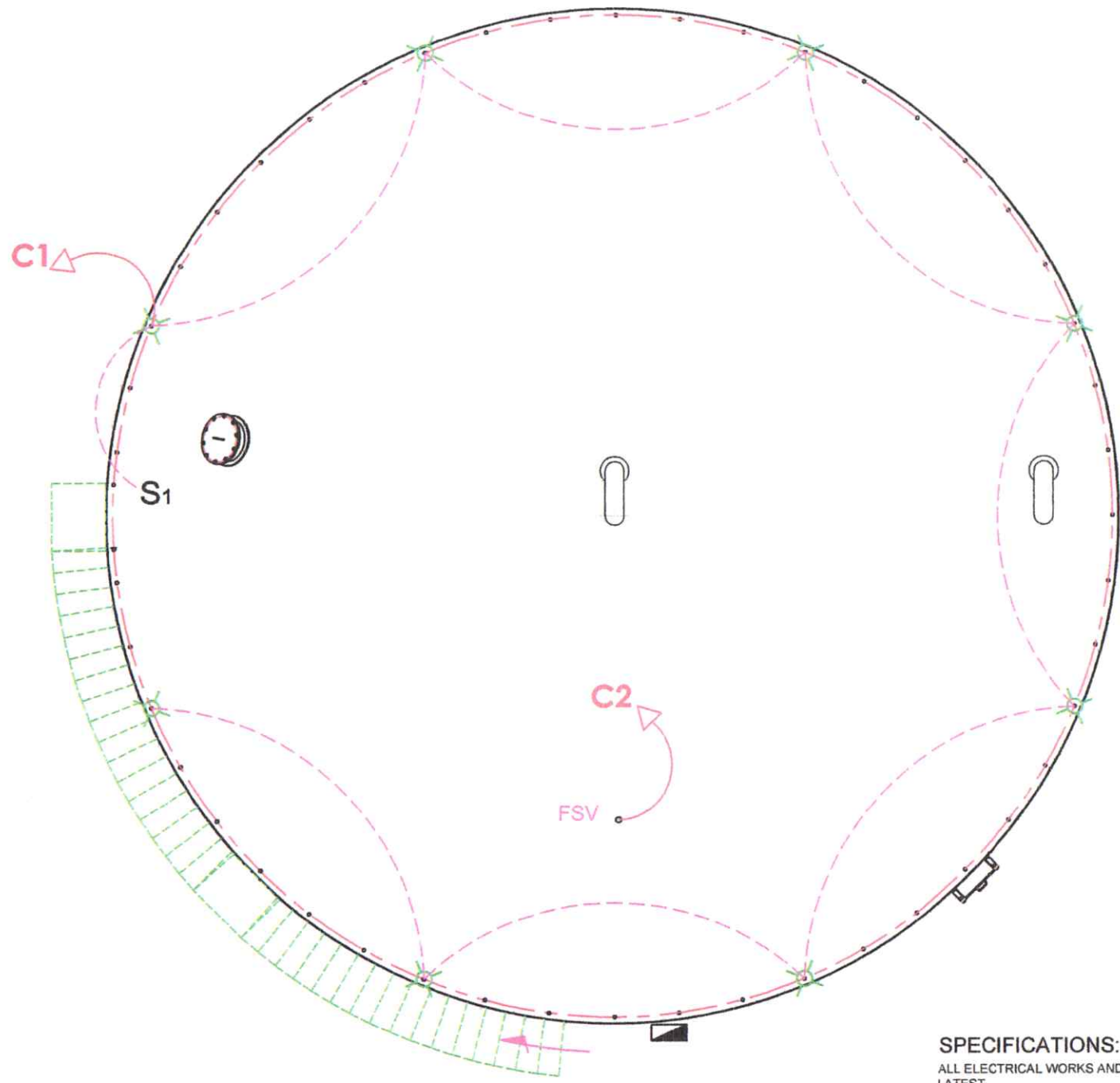
OVERFLOW BOX PLAN
SCALE 1:30 MM



SUPPLY PIPE DETAILS
SCALE 1:30 MM



200MMØ STUB-OUT
SCALE 1:30 MM



LEGEND:

SYMBOLS	DESCRIPTION
	PANEL BOARD
	WEATHER PROOF FLOOD LIGHT
S ₁	SWITCH
	CIRCUIT LINE
	SWITCH LINE
LI	LIGHTS
FSV	FLOAT SWITCH VALVE
	CIRCUIT HOMERUN

LIGHT POST DETAILS
SCALE 1:25 MM

SCHEDULE OF LOADS

CKT. No.	LOAD DESCRIPTION	NO. OF PCS.	WATTAGE	TOTAL WATTAGE	VOLT	AMP	CB RATING	WIRE USE AND CONDUIT SIZE
1	LIGHTS	8	50	400	220	1.82	20AMP	3.5 mm ² THW WIRE IN 20mmØ PIPE
2	FLOAT SWITCH VALVE	1	60	60	220	0.28	20AMP	3.5 mm ² THW WIRE IN 20mmØ PIPE
3	SPARE						20AMP	3.5 mm ² THW WIRE IN 20mmØ PIPE
TOTAL				460		2.10	30AMP	8.0 mm² THW WIRE IN 20mmØ PIPE

ELECTRICAL PLAN
SCALE 1:80 MM

SPECIFICATIONS:

ALL ELECTRICAL WORKS AND INSTALLATIONS SHALL CONFORM WITH THE LATEST EDITION OF THE PHILIPPINE ELECTRICAL CODE, RULES AND REGULATIONS OF THE LOCAL POWER UTILITY COMPANY AND CITY ORDINANCE.

SERVICE ENTRANCE SHALL BE 220V, SINGLE PHASE AND SHALL BE RIGID STEEL CONDUIT (RSC).

CIRCUIT RUN SHOWN ON THE PLAN IS ONLY SCHEMATIC. ACTUAL RUN SHALL BE DETERMINED ON THE FIELD.

ALL MATERIALS TO BE USE HERE IN SHALL BE BRAND NEW AND APPROVED TYPES FOR BOTH LOCATIONS AND PURPOSED.

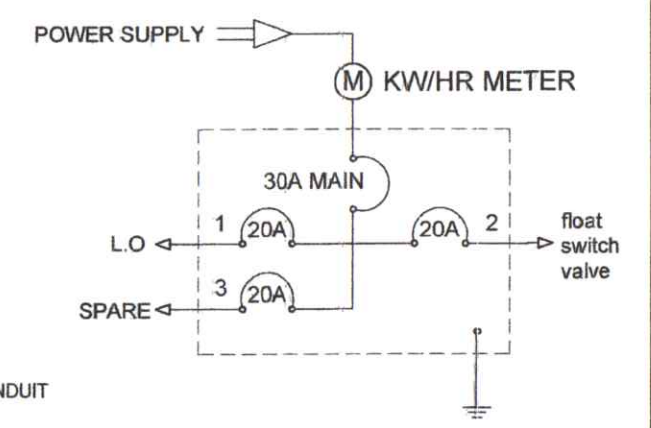
ALL ELECTRICAL WORKS AND INSTALLATION SHALL BE DONE UNDER THE STRICK SUPERVISION OF A DULY LICENSED ELECTRICAL FRACTITIONER AS PER R.A. 7920.

COMPUTATIONS:

1.) MINIMUM SIZE OF FEEDER REQUIRED:
TOTAL DEMAND = 460 W

2.) DEMAND APPLICATION:
 $I = \frac{460(1.25)}{220} = 575 W$
 $I = \frac{575W/220V}{1} = 2.61 \text{ AMPS.}$

USE: 2 - 8.0MM² THW WIRE ON 20MMØ PVC CONDUIT



SCHEMATIC DIAGRAM
SCALE NTS