



Republic of the Philippines
GENERAL SANTOS CITY WATER DISTRICT
E. Fernandez Street, Barangay Lagao General Santos
Telephone No.: 552-3824; Telefax No.: 553-4960
Email Address: gscwdprocurement@yahoo.com

GPM-014-2

REQUEST FOR QUOTATION

RFQ #: 3-0221-042 DATE: 02/10/2021

SUPPLIER: _____
ADDRESS: _____
TELEPHONE NO. : _____
TIN NO. : _____

Dear Sir/Madam,

Pls. quote your lowest price on the item/s listed below subject to general condition stating the shortest time of delivery and submit your quotation duly signed by your representative not later than 02/16/2021, Pls. furnish this office the following articles subject to the terms and conditions contained therein.

ITEM NO.	DESCRIPTION	QTY.	UNIT	UNIT PRICE
1	CONSTRUCTION/LABOR AND MATERIALS : PLEASE SEE ATTACHED SCOPE OF WORK-ABC: PHP 236,321.03 ##### nothing follows #####	1	LOT	P

Date of Delivery: _____
Price Validity : _____
Terms of Payment: _____

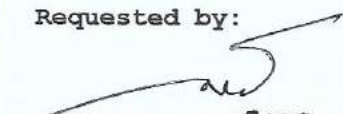
Place of Delivery: GSCWD Bodega

****No partial delivery allowed****

Note: 6% WITHHOLDING TAX DEDUCTION

PR NO.: 0221-041

Requested by:


OSEM R. CABAÑERO
MATERIAL PROCUREMENT
OFFICER A

Price quoted by:

Supplier

Date



SCOPE OF WORK

Project Title: **CONSTRUCTION OF CONCRETE PIPE SUPPORT**
Location: **Sinawal River, Brgy. Labangal, General Santos City**

The work consist of the following:

- 1) The work consist of supply of materials, labor, equipment, tools and supervision for the completion of the proposed project as shown on plan and technical drawings.
- 2) The Contractor shall inspect the site of the work in order to satisfy themselves by personal examination and/or by such other means as they may prefer, of the location of the proposed work and the visualization of the work to be done.
- 3) Excavation shall include the removal of materials of whatever nature encountered that would interfere with the proper execution and completion of the work. All excavations shall be carried to the grade of the bottom of the concrete encasement or as indicated on technical drawings.
- 4) Concrete Works:
 - a) Cement shall conform to the "Standard specifications for Portland Cement" and shall be type I. The cement shall be in accordance with DPWH standards and shall not be more than three (3) months from date of manufacture.
 - b) Concrete strength shall be 2,000 psi (13.79 Mpa) at 28 days to be used for concrete encasement.
 - c) Aggregates shall be well-graded, clean, hard particles of gravel or crushed rock.
 - d) All reinforcing steel bars used shall be of deformed type, new, free from rust, oil, defects, greases or kinks. They shall conform to the latest edition of National Structural Code for Buildings with minimum grade equal to 275 Mpa (Grade 40) unless otherwise shown in the plan.
 - e) Concrete forms should be water tight, strong enough and rigid to sustain the weight of concrete.
- 5) All works shall be done in a safe manner to avoid unnecessary loss of life and damage to property.
- 6) Contractor shall provide safety equipment, gadgets, barricades, safety signboards, and other devices as necessary to prevent accident, damage or injury to the public.
- 7) A qualified superintendent shall be present in the work and shall provide competent supervision of the work until its completion.
- 8) The employees of the Contractor are not employees of the Owner. Hence, the Owner shall not be liable or responsible for any personal injury or damage including death cause by any of the employees of the Contractor during the lawful performances of their duties.

Prepared by:

ROLLY A. GUNDAY, CE

OIC – Plans & Design Division

Checked & Reviewed by:

ROGELIO A. BESANA, JR., CE/RMP

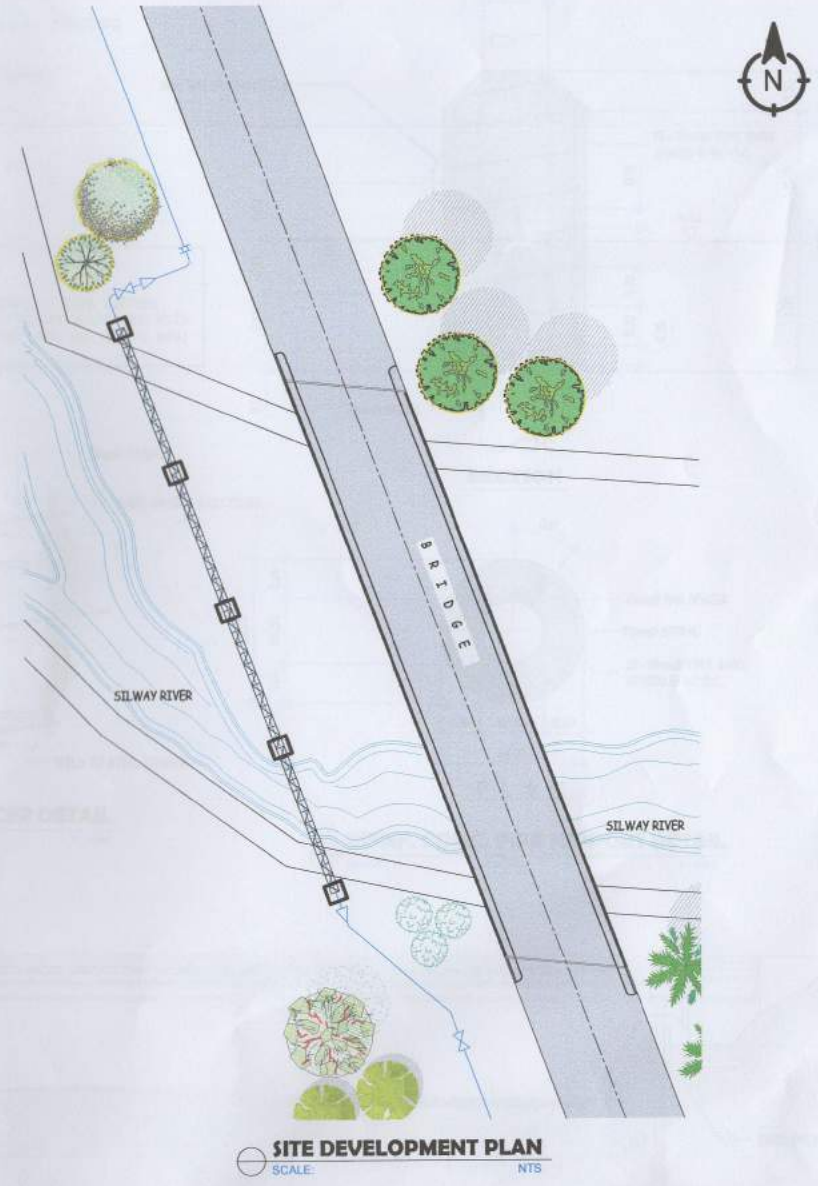
Department Manager A

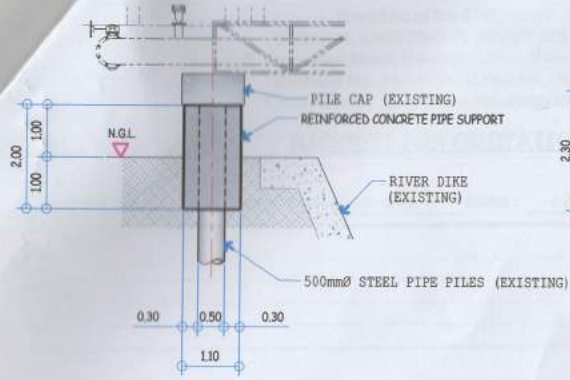
Engineering & Construction Department

Approved by:

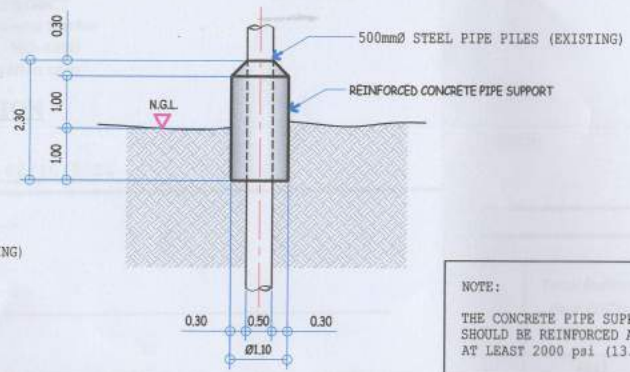
ARN B. GELLANGARIN, PME

General Manager



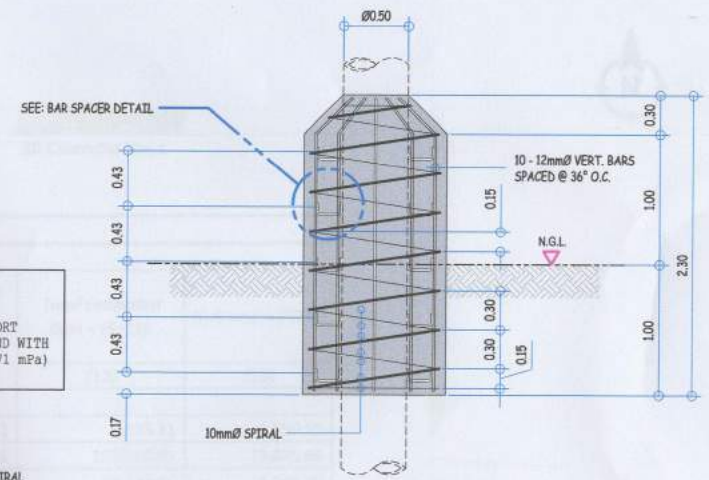


DETAIL "A"
SCALE: 1:100M

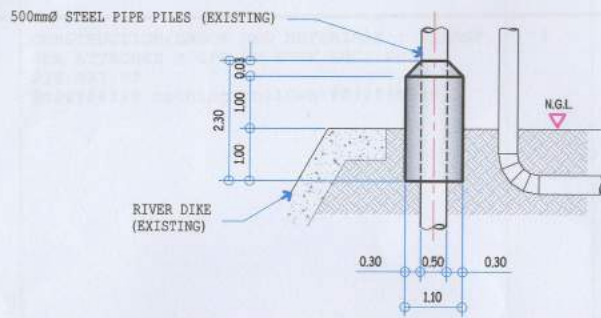


DETAIL "B"
SCALE: 1:100M

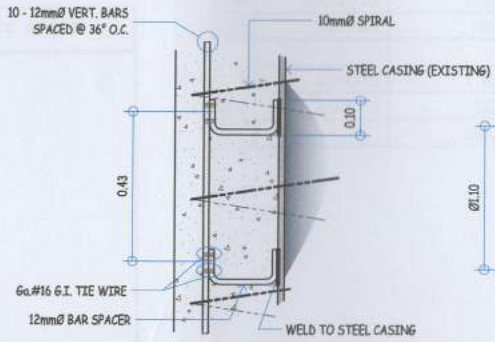
NOTE:
THE CONCRETE PIPE SUPPORT SHOULD BE REINFORCED AND WITH AT LEAST 2000 psi (13.71 mPa)



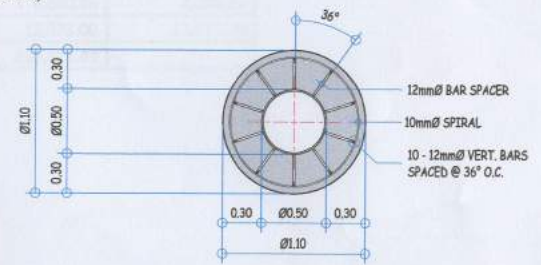
SECTION



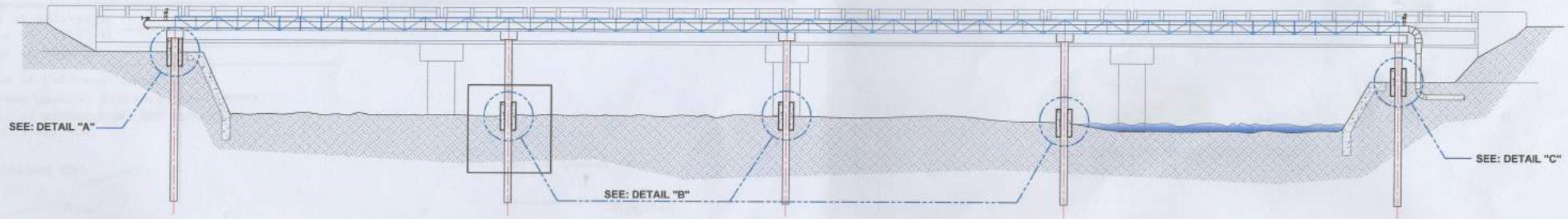
DETAIL "C"
SCALE: 1:100M



BAR SPACER DETAIL
SCALE: 1:150M



REIN. CONC. PIPE SUPPORT DETAIL
SCALE: 1:40M



BRIDGE ELEVATION
SCALE: NONE