



Republic of the Philippines
GENERAL SANTOS CITY WATER DISTRICT
 E. Fernandez Street, Barangay Lagao General Santos
 Telephone No.: 552-3824; Telefax No.: 553-4960
 Email Address: gscwdprocurement@yahoo.com

GPM-014-2

REQUEST FOR QUOTATION

RFQ #: 3-1019-077 DATE: 11/12/2019

SUPPLIER: _____
 ADDRESS: _____
 TELEPHONE NO. : _____
 TIN NO. : _____

Dear Sir/Madam,

Pls. quote your lowest price on the item/s listed below subject to general condition stating the shortest time of delivery and submit your quotation duly signed by your representative not later than 11/18/2019, Pls. furnish this office the following articles subject to the terms and conditions contained therein.

| ITEM NO. | DESCRIPTION | QTY. | UNIT | UNIT PRICE |
|----------|---|------|------|------------|
| 1 | STEEL FLANGE 500MM : PLEASE SEE ATTACHED SHOP DRAWING-ABC: PHP 45,000.00 | 1 | pc | P |
| 2 | STEEL BLIND FLANGE 500MM : PLEASE SEE ATTACHED SHOP DRAWING-ABC: PHP 45,000.00 ##### nothing follows ##### | 1 | pc | P |

Date of Delivery: _____
 Price Validity : _____
 Terms of Payment: _____

Place of Delivery: GSCWD Bodega
 *****No partial delivery allowed*****
 Note: 6% WITHHOLDING TAX DEDUCTION
 PR NO.: 1019-032

Requested by:

Price quoted by:

 Supplier

 Date

GFCM CABANERO
 MATERIAL PROCUREMENT
 OFFICER A

SHOP DRAWING OF
500mm Ø STEEL FLANGE

MATERIALS DESCRIPTION:

PREPARED BY:

CHECKED BY:

RECOMMENDING APPROVAL:

APPROVED BY:

COMBUT:

REV. R. ANORA
 ENGINEERING AIDE

ENGR. MICHAEL G. GABRIEL
 MANAGER - PDD

ENGR. ROSELIO A. BESANA, JR.
 MANAGER - ECD

ENGR. ANN B. GELANGARIN
 GENERAL MANAGER

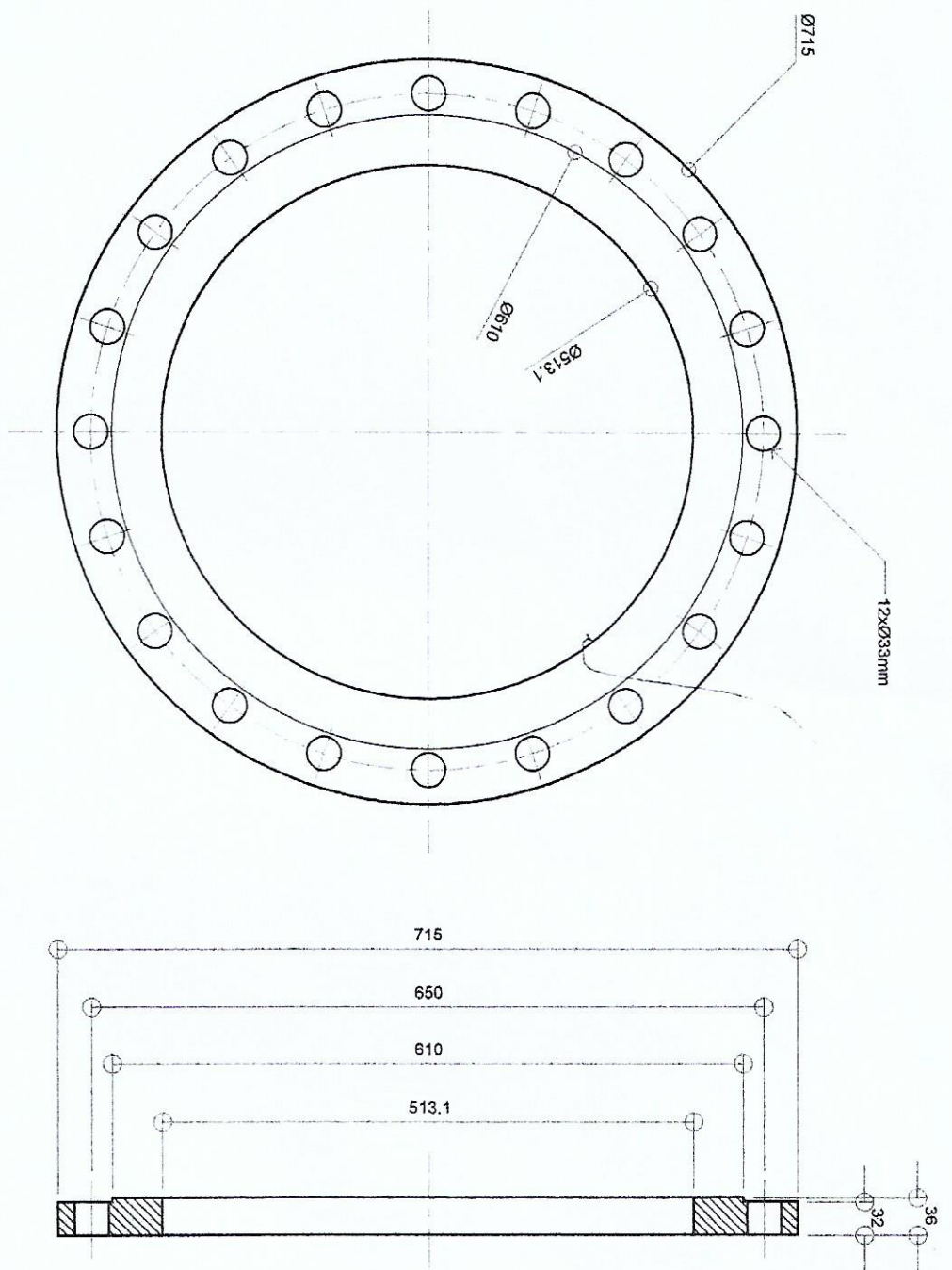
DRAWN: **RRA**
 CHECKED:

REVISION:
 DATE: **OCT. 2019**

AS SHOWN

PLAN

SECTION





GENERAL SANTOS CITY WATER DISTRICT
 E. FERNADEZ STREET, BRGY. LAJOLA, GEN. SANTOS CITY
 ENGINEERING AND DESIGN DIVISION
 TEL. NO.: (083) 592-3824

MATERIALS DESCRIPTION:

**SHOP DRAWING OF
 500mmØ BLIND STEEL FLANGE**

PREPARED BY:

M
REV. R. ANORA
 ENGINEERING AIDE

CHECKED BY:

[Signature]
ENGR. MICHAEL G. SABALES
 MANAGER - ECD

RECOMMENDING APPROVAL:

[Signature]
ENGR. ROGERIO A. BESANA, JR.
 MANAGER - ECD

APPROVED BY:

[Signature]
ENGR. ARN B. GILLANGARIN
 GENERAL MANAGER

CONTENT:

AS SHOWN

DRAWN: **RRA**
 CHECKED: **RRA**
 REVISION:
 DATE: **OCT. 2019**

PLAN

SECTION

