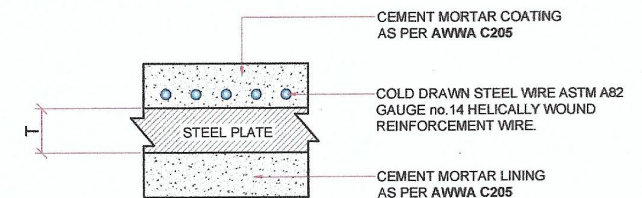



CEMENT MORTAR COATED AND LINED SPIRAL WELDED STEEL PIPE, BELL & SLIP ON ENDS

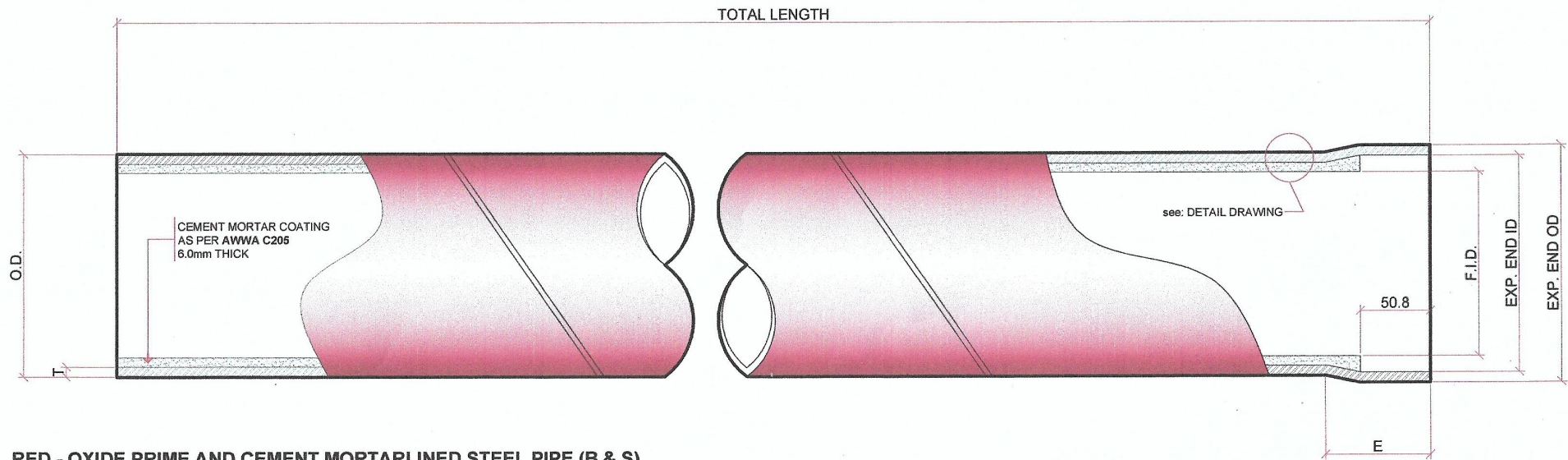
DIAMETER			MIN. WALL THICKNESS	EXPANDED END			CEMENT LINING	CEMENT COATING	EFFECTIVE PIPE LENGTH
ND	OD	F I D	t (min.)	EE-ID	EE-OD	E			
500	552.70	500.00	6.35	555.70	568.40	76.20	20	25.40	6000.00
200	221.56	200.00	4.78	224.56	234.12	76.20	6	25.40	6000.00
150	171.56	150.00	4.78	174.56	184.12	76.20	6	25.40	6000.00



DETAIL DRAWING

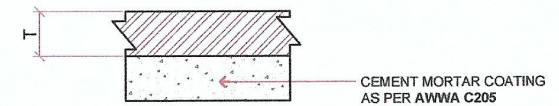
- NOTE:**
1. ALL UNITS IN" mm" UNLESS OTHERWISE SPECIFIED
 2. CEMENT MORTAR LINING & COATING AS PER LWUA STANDARD
 3. PIPE MATERIAL: GRADE SS 400 B APPROVED EQUIVAENT.
 4. MANUFACTURING SPECS: ASTM A-139

 <p>GENERAL SANTOS CITY WATER DISTRICT E. FERNANDEZ STREET, BRGY. LAGAO, GEN. SANTOS CITY ENGINEERING & CONSTRUCTION DEPARTMENT PLANNING AND DESIGN DIVISION TEL. NO.: (083) 552 - 3824</p>	PROJECT TITLE	CHECKED BY:	REVIEWED BY:	APPROVED BY:	CONTENT:	SHEET NO.:
	ASSORTED SIZES OF CEMENT COATED AND CEMENT LINED SPIRAL WELDED STEEL PIPES	ENGR. MARIA CELIA N. DANDAN	ENGR. ROGELIO A. BESANA, JR.	ENGR. ARN B. GELLANGARIN	AS SHOWN	1
		DIC - Planning & Design Division	AGM - Operations & Technical Services	General Manager A	DRAWN: ESDA REVISION: CHECKED: MCND DATE: 02 / 14 / 2022	




RED - OXIDE PRIME AND CEMENT MORTARLINED STEEL PIPE (B & S)

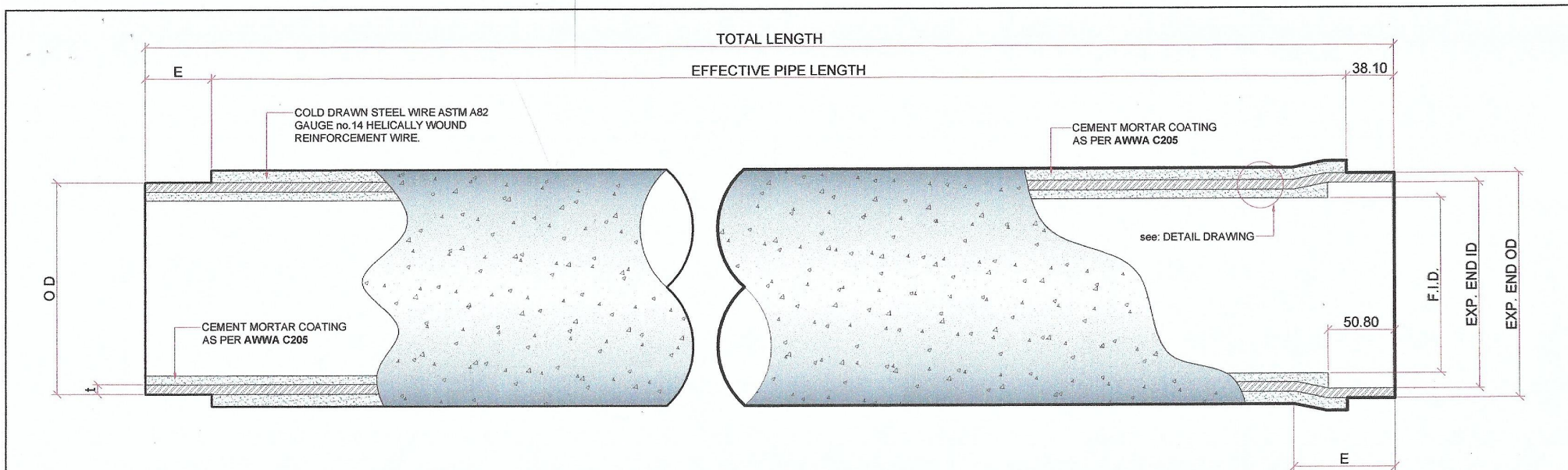
DIAMETER			MIN. WALL THICKNESS	EXPANDED END			CEMENT LINING	RED-OXIDE COATING	EFFECTIVE PIPE LENGTH
ND	OD	F I D	T (mm)	EE-ID	EE-OD	E			
250	271.56	250.00	4.78	276.36	285.92	76.20	6.00	CONFORMED TO LWUA SPECS	6000
200	221.56	200.00	4.78	226.36	235.92	76.20	6.00	CONFORMED TO LWUA SPECS	6000



DETAIL DRAWING

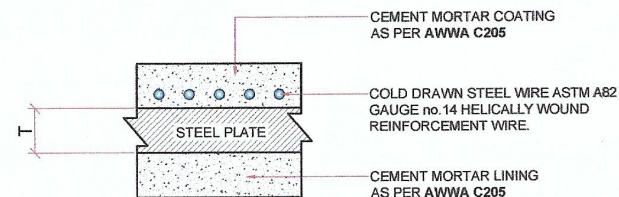
NOTE:
ALL UNITS ARE IN MILLIMETERS

 <p>GENERAL SANTOS CITY WATER DISTRICT E. FERNANDEZ STREET, BRGY. LAGA, GEN. SANTOS CITY ENGINEERING & CONSTRUCTION DEPARTMENT PLANNING AND DESIGN DIVISION TEL. NO.: (083) 552 - 3824</p>	PROJECT TITLE / LOCATION:	CHECKED BY:	REVIEWED BY:	APPROVED BY:	CONTENT:	SHEET NO.:
	<p>ASSORTED SIZES OF RED-OXIDE PRIME AND CEMENT MORTAR LINED SPIRAL WELDED STEEL PIPES</p>	<p>ENGR. MARIA CELIA N. DANDAN OIC - Planning & Design Division</p>	<p>ENGR. ROGELIO A. BESANA, JR. AGM - Operations & Technical Services</p>	<p>ENGR. ARN B. GELLANGARIN General Manager A</p>	<p>AS SHOWN</p>	<p>1</p>
		<p>DRAWN: ESDA CHECKED: MCND</p>	<p>REVISION:</p>	<p>DATE: 02 / 14 / 2022</p>		



CEMENT MORTAR COATED AND LINED SPIRAL WELDED STEEL PIPE, BELL & SLIP ON ENDS


DIAMETER			MIN. WALL THICKNESS	EXPANDED END			CEMENT LINING	CEMENT COATING	EFFECTIVE PIPE LENGTH
ND	OD	F I D	t (min.)	EE-ID	EE-OD	E			
500	552.70	500.00	6.35	555.70	568.40	76.20	20	25.40	6000.00
200	221.56	200.00	4.78	224.56	234.12	76.20	6	25.40	6000.00
150	171.56	150.00	4.78	174.56	184.12	76.20	6	25.40	6000.00

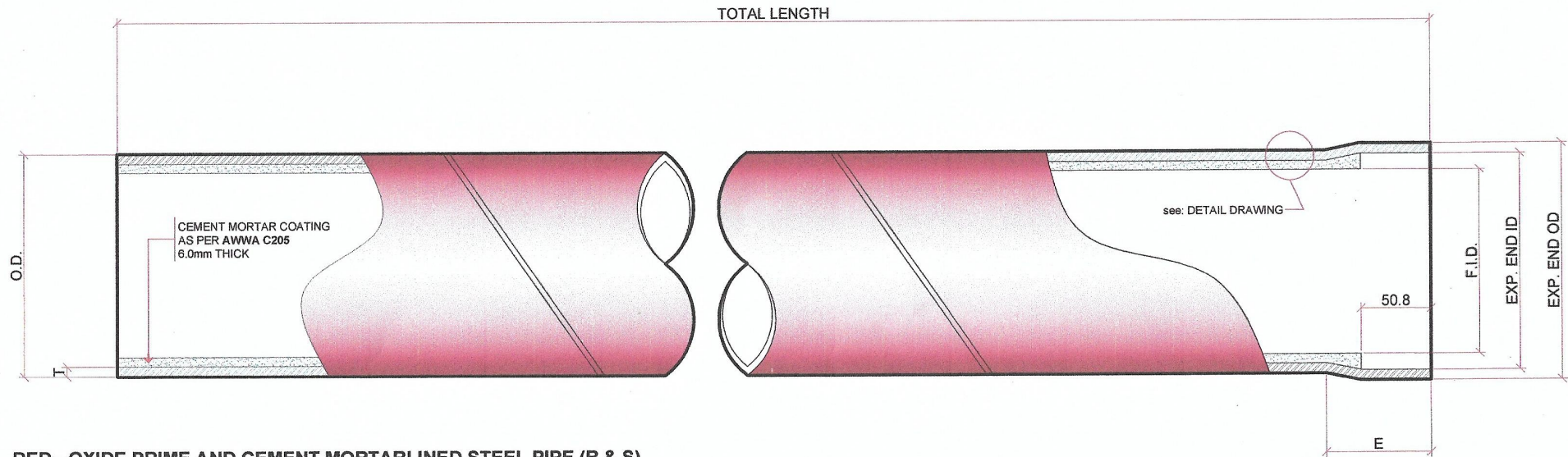


DETAIL DRAWING

NOTE: -

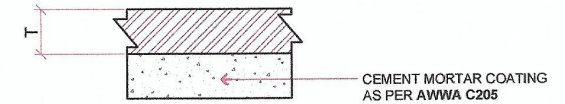
1. ALL UNITS IN" mm" UNLESS OTHERWISE SPECIFIED
2. CEMENT MORTAR LINING & COATING AS PER LWUA STANDARD
3. PIPE MATERIAL: GRADE SS 400 B APPROVED EQUIVAENT.
4. MANUFACTURING SPECS: ASTM A-139

 <p>GENERAL SANTOS CITY WATER DISTRICT E. FERNANDEZ STREET, BRGY. LAGAO, GEN. SANTOS CITY ENGINEERING & CONSTRUCTION DEPARTMENT PLANNING AND DESIGN DIVISION TEL. NO.: (083) 552 - 3824</p>	PROJECT TITLE	CHECKED BY:	REVIEWED BY:	APPROVED BY:	CONTENT:	SHEET NO.:
	ASSORTED SIZES OF CEMENT COATED AND CEMENT LINED SPIRAL WELDED STEEL PIPES	ENGR. MARIA CELIA N. DANDAN	ENGR. ROGELIO A. BESANA, JR.	ENGR. ARN B. GELLANGARIN	AS SHOWN	1
		OIC - Planning & Design Division	AGM - Operations & Technical Services	General Manager A	DRAWN: ESDA REVISION: CHECKED: MCND DATE: 02 / 14 / 2022	




RED - OXIDE PRIME AND CEMENT MORTARLINED STEEL PIPE (B & S)

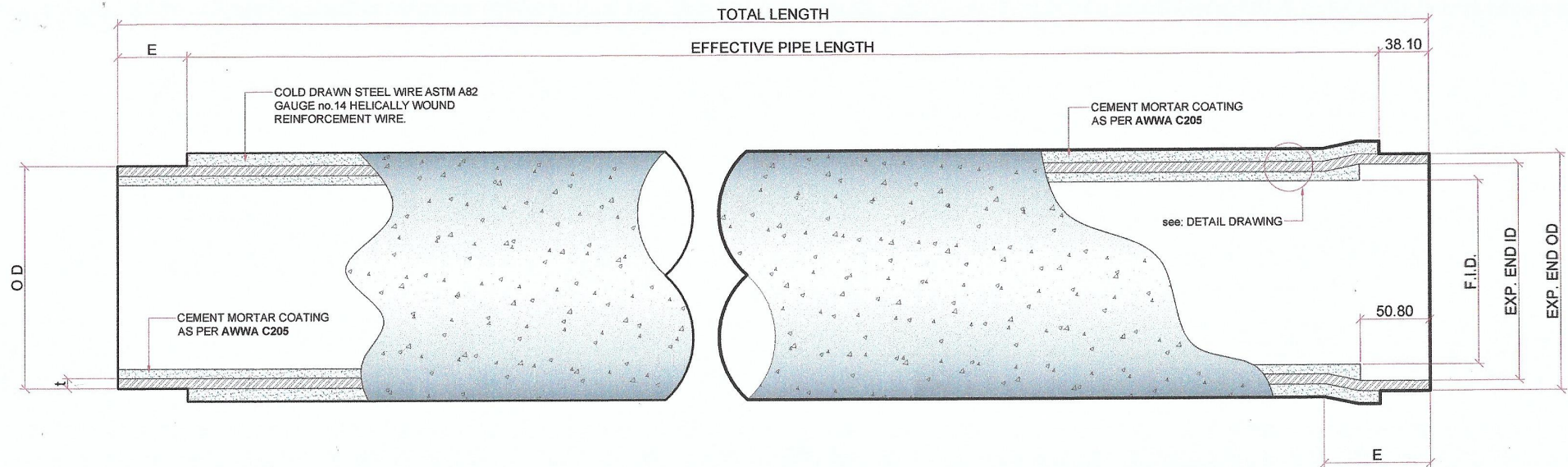
DIAMETER			MIN. WALL THICKNESS T (mm)	EXPANDED END			CEMENT LINING	RED-OXIDE COATING	EFFECTIVE PIPE LENGTH
ND	OD	F I D		EE-ID	EE-OD	E			
250	271.56	250.00	4.78	276.36	285.92	76.20	6.00	CONFORMED TO LWUA SPECS	6000
200	221.56	200.00	4.78	226.36	235.92	76.20	6.00	CONFORMED TO LWUA SPECS	6000



DETAIL DRAWING

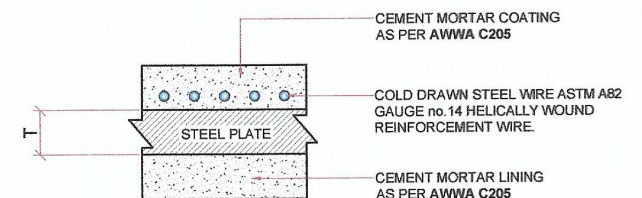
NOTE:
ALL UNITS ARE IN MILLIMETERS

 <p>GENERAL SANTOS CITY WATER DISTRICT E. FERNANDEZ STREET, BRGY. LAGAO, GEN. SANTOS CITY ENGINEERING & CONSTRUCTION DEPARTMENT PLANNING AND DESIGN DIVISION TEL. NO.: (083) 552 - 3824</p>	PROJECT TITLE / LOCATION:	CHECKED BY:	REVIEWED BY:	APPROVED BY:	CONTENT:	SHEET NO.:
	<p>ASSORTED SIZES OF RED-OXIDE PRIME AND CEMENT MORTAR LINED SPIRAL WELDED STEEL PIPES</p>	<p>ENGR. MARIA CELIA N. DANDAN OIC - Planning & Design Division</p>	<p>ENGR. ROGELIO A. BESANA, JR. AGM - Operations & Technical Services</p>	<p>ENGR. ARN B. GELLANGARIN General Manager A</p>	<p>AS SHOWN</p>	<p>1</p>
		<p>DRAWN: ESDA CHECKED: MCND</p>	<p>REVISION:</p> <p>DATE: 02 / 14 / 2022</p>			



CEMENT MORTAR COATED AND LINED SPIRAL WELDED STEEL PIPE, BELL & SLIP ON ENDS

DIAMETER			MIN. WALL THICKNESS	EXPANDED END			CEMENT LINING	CEMENT COATING	EFFECTIVE PIPE LENGTH
ND	OD	F I D	t (min.)	EE-ID	EE-OD	E			
500	552.70	500.00	6.35	555.70	568.40	76.20	20	25.40	6000.00
200	221.56	200.00	4.78	224.56	234.12	76.20	6	25.40	6000.00
150	171.56	150.00	4.78	174.56	184.12	76.20	6	25.40	6000.00



DETAIL DRAWING

- NOTE:**
1. ALL UNITS IN" mm" UNLESS OTHERWISE SPECIFIED
 2. CEMENT MORTAR LINING & COATING AS PER LWUA STANDARD
 3. PIPE MATERIAL: GRADE SS 400 B APPROVED EQUIVAENT.
 4. MANUFACTURING SPECS: ASTM A-139

GENERAL SANTOS CITY WATER DISTRICT
 E. FERNANDEZ STREET, BRGY. LAGAO, GEN. SANTOS CITY
 ENGINEERING & CONSTRUCTION DEPARTMENT
 PLANNING AND DESIGN DIVISION
 TEL. NO.: (083) 552 - 3824

PROJECT TITLE
ASSORTED SIZES OF CEMENT COATED AND CEMENT LINED SPIRAL WELDED STEEL PIPES

CHECKED BY:

ENGR. MARIA CELIA N. DANDAN
 OIC - Planning & Design Division

REVIEWED BY:

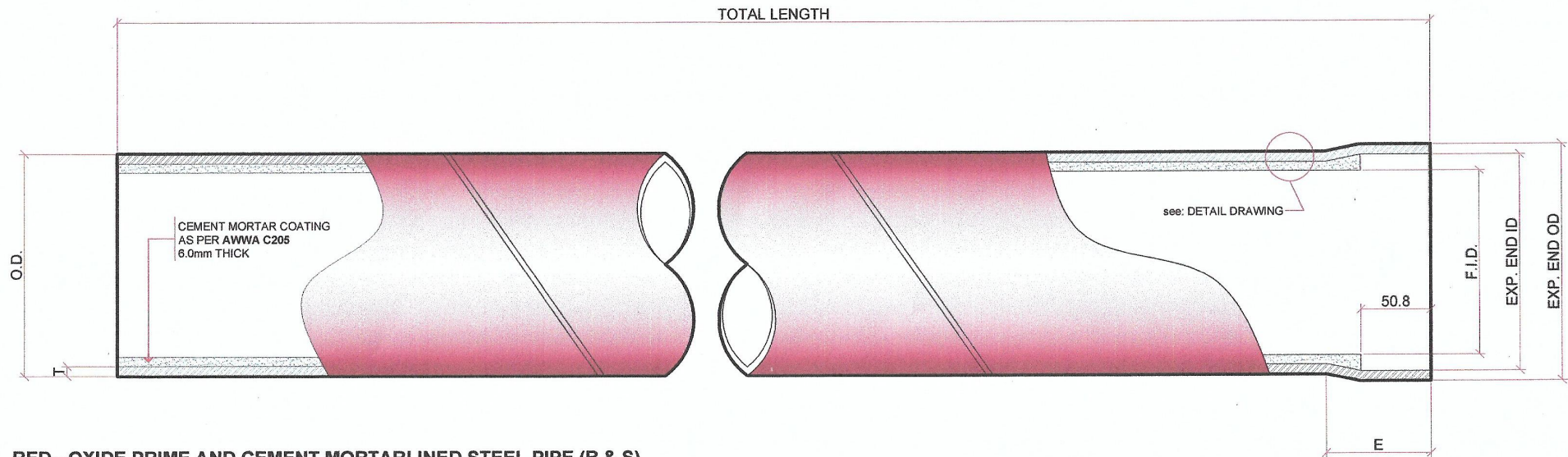
ENGR. ROGELIO A. BESANA, JR.
 AGM - Operations & Technical Services

APPROVED BY:

ENGR. ARN B. GELLANGARIN
 General Manager A

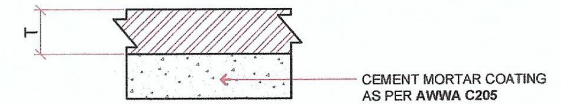
CONTENT:
AS SHOWN
 DRAWN: ESDA REVISION:
 CHECKED: MCND DATE: 02 / 14 / 2022

SHEET NO.:
1




RED - OXIDE PRIME AND CEMENT MORTARLINED STEEL PIPE (B & S)

DIAMETER			MIN. WALL THICKNESS T (mm)	EXPANDED END			CEMENT LINING	RED-OXIDE COATING	EFFECTIVE PIPE LENGTH
ND	OD	F I D		EE-ID	EE-OD	E			
250	271.56	250.00	4.78	276.36	285.92	76.20	6.00	CONFORMED TO LWUA SPECS	6000
200	221.56	200.00	4.78	226.36	235.92	76.20	6.00	CONFORMED TO LWUA SPECS	6000



DETAIL DRAWING

NOTE:
ALL UNITS ARE IN MILLIMETERS

 <p>GENERAL SANTOS CITY WATER DISTRICT E. FERNANDEZ STREET, BRGY. LAGAO, GEN. SANTOS CITY ENGINEERING & CONSTRUCTION DEPARTMENT PLANNING AND DESIGN DIVISION TEL. NO.: (083) 552 - 3824</p>	PROJECT TITLE / LOCATION:	CHECKED BY:	REVIEWED BY:	APPROVED BY:	CONTENT:	SHEET NO.: 1
	ASSORTED SIZES OF RED-OXIDE PRIME AND CEMENT MORTAR LINED SPIRAL WELDED STEEL PIPES	ENGR. MARIA CELIA N. DANDAN OIC - Planning & Design Division	ENGR. ROGELIO A. BESANA, JR. AGM Operations & Technical Services	ENGR. ARN B. GELLANGARIN General Manager A	AS SHOWN	
					DRAWN: ESDA CHECKED: MCND REVISION: DATE: 02 / 14 / 2022	