

VICINITY MAP
SCALE : N T S



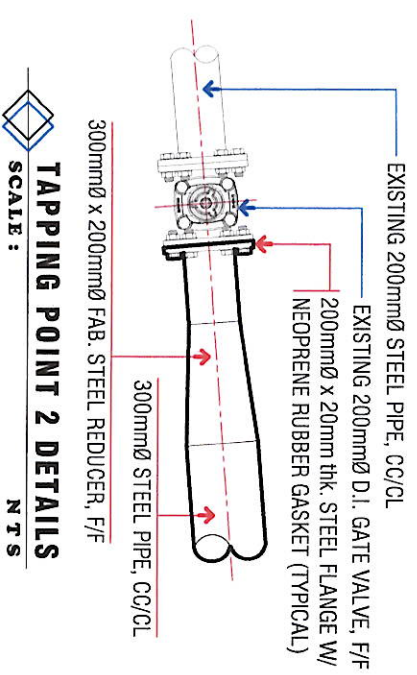
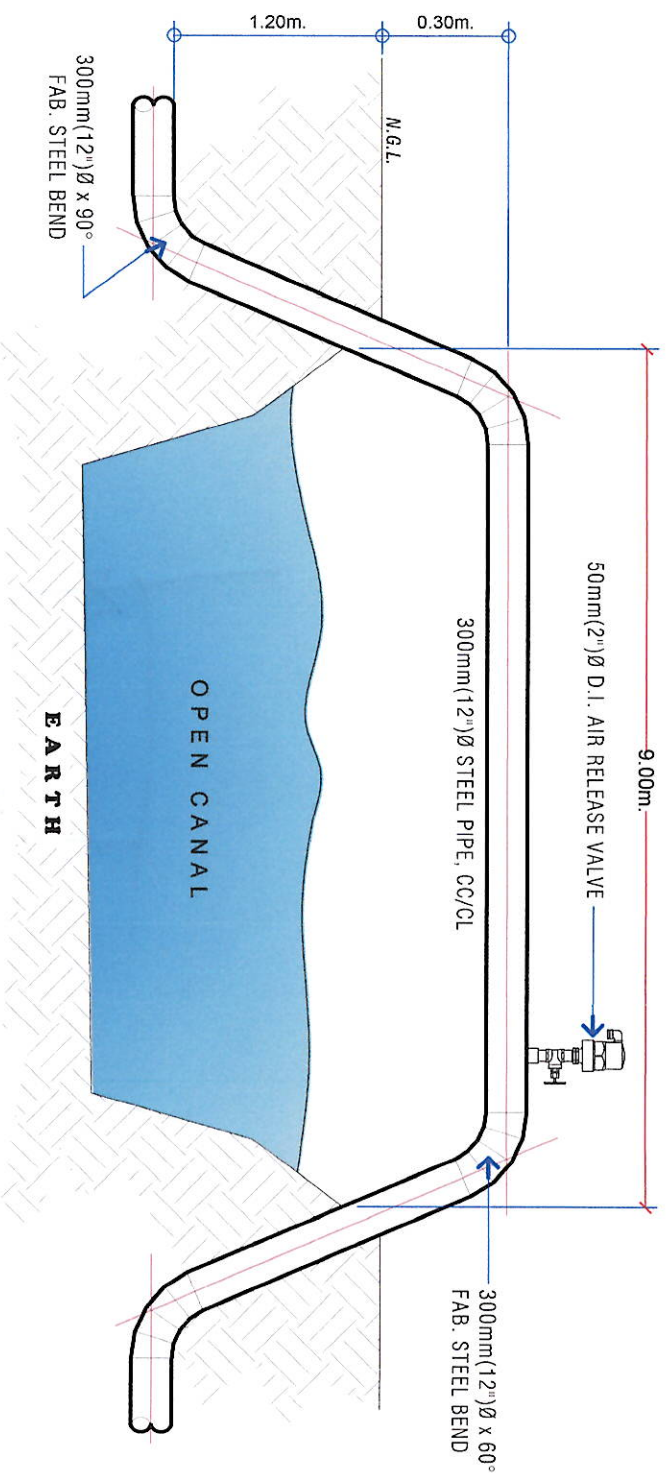
GENERAL SANTOS CITY WATER DISTRICT
E. FERNANDEZ STREET, BRGY. LAGAO, GEN. SANTOS CITY
ENGINEERING & CONSTRUCTION DEPARTMENT
PLANNING AND DESIGN DIVISION
TEL. NO.: (083) 552 - 3824

PROJECT TITLE / LOCATION: PROPOSED INSTALLATION OF 300MMØ STEEL TRANSMISSION PIPELINE AND OTHER APPURTENANCES		Prepared by: Senior Draftsman		Checked by: Project Planning & Dev't Officer A		Reviewed by: Act'g Dept. Manager - EOD		Recommending for Approval by: AGM- Operation and Technical Services		Approved by: Act'g General Manager		CONTENT: AS SHOWN	SHEET NO.: 01
Barangay Conel, General Santos City		TITUS T. PANDIAN		DANIL O. HORLADOR, CE		MARIA CELIA N. DANDAN, CE		ROGELIO A. BESANA, JR., CE/RMP		FERDINAND S. FERRER, MPA		REVISION:	DATE: 01 / 08 / 2024



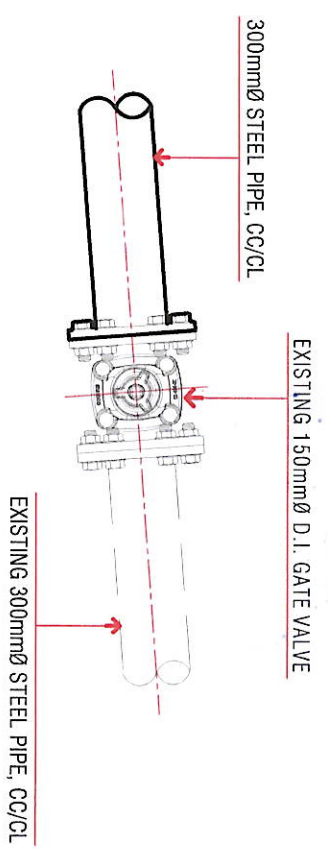
PIPE LAYOUT PLAN
 SCALE : N T S

GENERAL SANTOS CITY WATER DISTRICT E. FERNANDEZ STREET, BRGY. LAGA, GEN. SANTOS CITY ENGINEERING & CONSTRUCTION DEPARTMENT PLANNING AND DESIGN DIVISION TEL. NO.: (083) 552 - 3824	PROJECT TITLE / LOCATION: PROPOSED INSTALLATION OF 300MMØ STEEL TRANSMISSION PIPELINE AND OTHER APPURTENANCES	Prepared by: <i>Titus T. Pandian</i>	Checked by: <i>Daniel O. Horlador</i>	Reviewed by: <i>Maria Celia N. Dandan</i>	Recommending for Approval by: <i>Rogelio A. Besana, Jr.</i>	Approved by: <i>Ferdinand S. Ferrer</i>	CONTENT: AS SHOWN	SHEET NO.: 02
	Barangay Council, General Santos City	Senior Draftsman	Project Planning & Devt Officer	Acting Dept. Manager - ECD	AGM - Operation and Technical Services	Acting General Manager	REVISION: DATE: 01 / 08 / 2024	

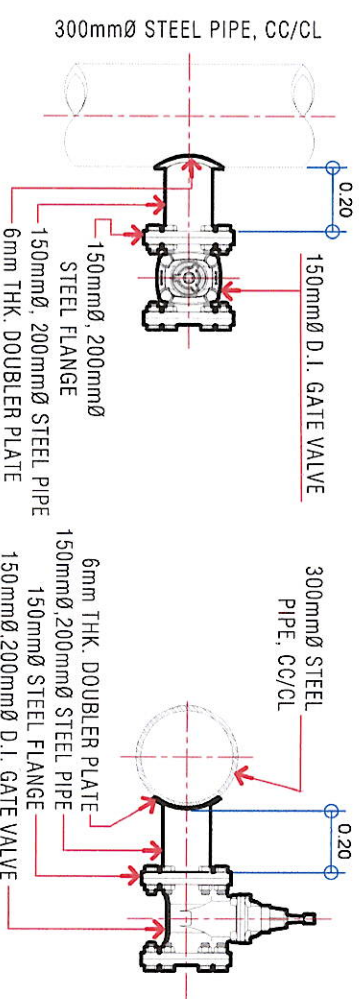


TAPPING POINT 2 DETAILS
SCALE : N T S

CANAL CROSSING DETAILS
SCALE : N T S

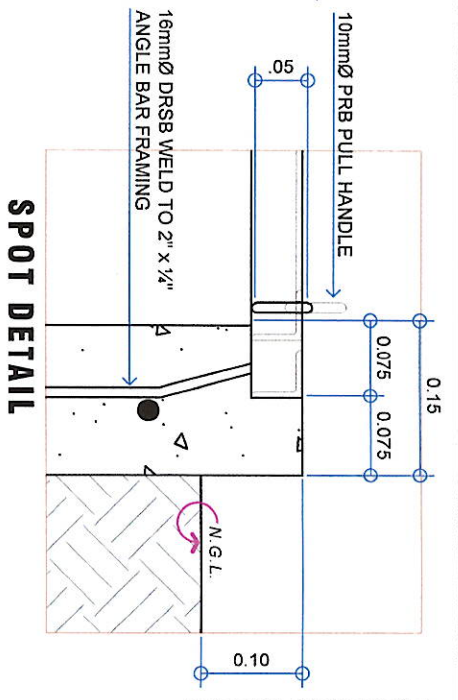
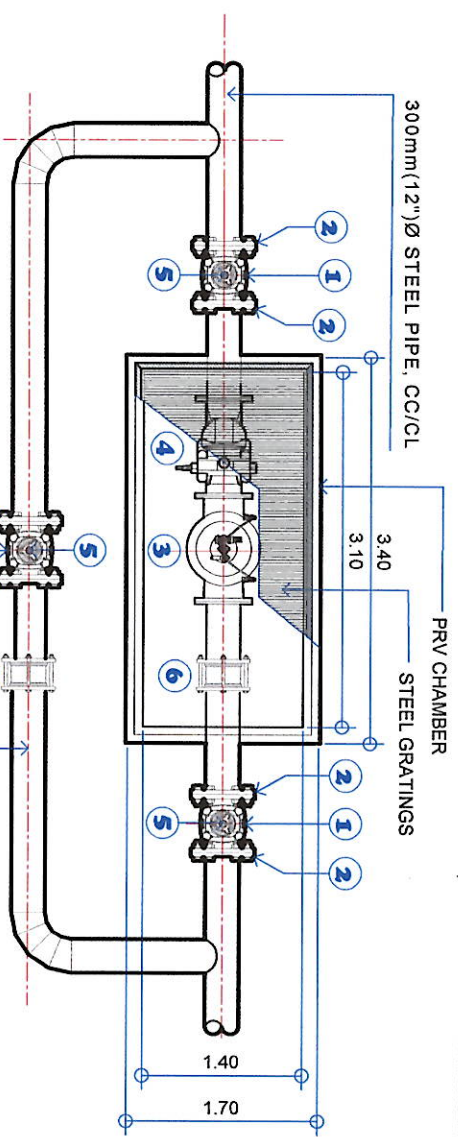


TAPPING POINT 1 DETAILS
SCALE : N T S

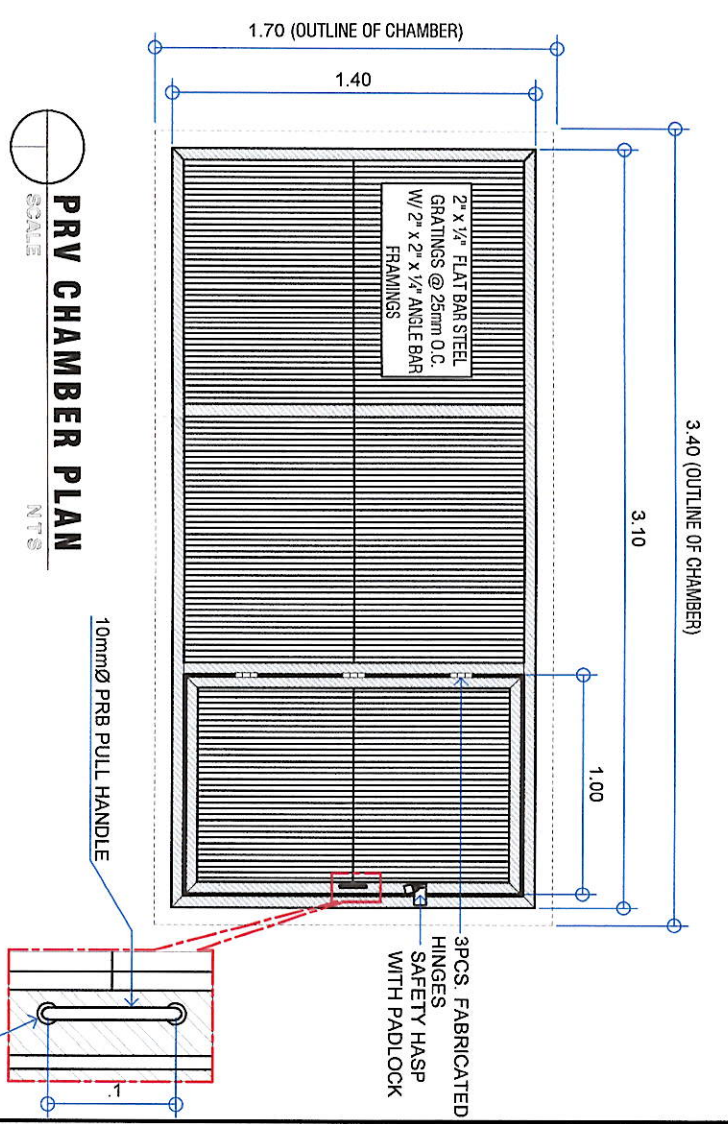
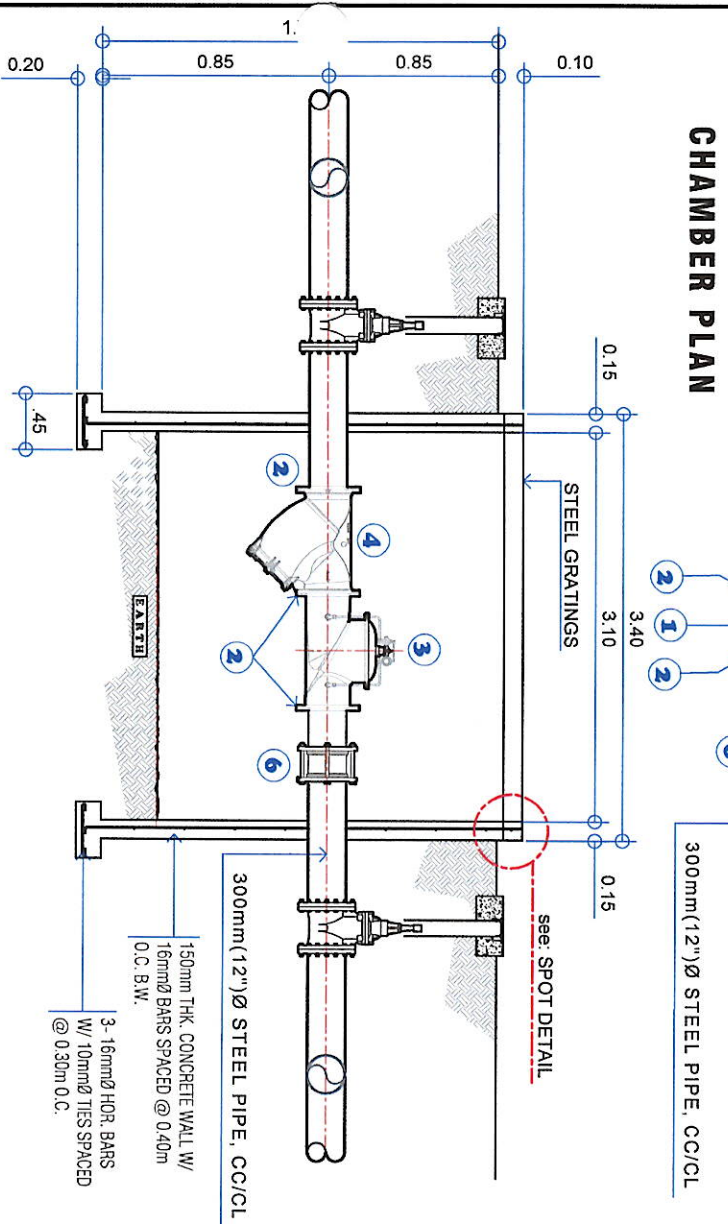


150mmØ, 250mmØ STUB-OUT DETAILS
SCALE : N T S

PROJECT TITLE /LOCATION:	Prepared by:	Checked by:	Reviewed by:	Recommending (or) Approving by:	Approved by:	CONTENT:	SHEET NO.:
PROPOSED INSTALLATION OF 300MMØ STEEL TRANSMISSION PIPELINE AND OTHER APPURTENANCES	TITUS T. PANDIAN	DANIL O.M. HORLADOR, CE	MARIA CELIA N. DANDAN, CE	ROGELIO A. BESANA, JR., CE/RMP	FERDINAND S. FERRER, MPA	AS SHOWN	03
Barangay Council, General Santos City	Senior Draftsman	Project Planning & Dev't Officer A	Act'g Dept. Manager - ECD	AGM- Operation and Technical Services	Acting General Manager	REVISION:	DATE: 01 / 08 / 2024



MATERIALS		
NO.	DESCRIPTION	QTY. UNIT
1	12"Ø D.I. GATE VALVE, F/F	3 pcs.
2	12"Ø STEEL FLANGE	10 pcs.
3	12"Ø PRSV	1 pc.
4	12"Ø D.I. WIRE STRAINER, F/F	1 pc.
5	VALVE BOX COVER	3 pcs.
6	12"Ø D.I. SLEEVE TYPE COUPLING	2 pcs.



CHAMBER SECTION

CHAMBER PLAN

SPOT DETAIL

PRV CHAMBER PLAN



PROJECT TITLE /LOCATION: PROPOSED INSTALLATION OF 300MMØ STEEL TRANSMISSION PIPELINE AND OTHER APPURTENANCES	Prepared by: <i>[Signature]</i>	Checked by: <i>[Signature]</i>	Reviewed by: <i>[Signature]</i>	Recommending for Approval by: <i>[Signature]</i>	Approved by: <i>[Signature]</i>	CONTENT: AS SHOWN	SHEET NO.: 04
Barangay Council, Gen. Santos City	Engineering Assistant	Project Planning & Dev't Officer	Acting Dept. Manager - EGD	AGM- Operation and Technical Services	Acting General Manager	REVISION:	DATE: 01/22/2024
		JONER GUILERO, CE		DANILLO M. HORLADOR, CE		MARIA CELIA N. DANDAN, CE	
		ROGELIO A. BEBANA, JR., CE/RMP		FERDINAND S. FERRER, MPA			

PROJECT TITLE / LOCATION:
PROPOSED INSTALLATION OF 300MMØ STEEL TRANSMISSION PIPELINE AND OTHER APPURTENANCES
 Barangay Cornel Gen Santos City

Prepared by:
 TITUS T. PANDIAN
 Senior Draftsman

Checked by:
 DANIL O. HORLADOR, CE
 Project Planning & Dev't Officer A

Reviewed by:
 MARIA CELIA N. DANDAN, CE
 Acting Dept. Manager - ECD

Recommending for Approval by:
 ROGELIO A. BESANA, JR., CERMP
 AGM- Operation and Technical Services

Approved by:
 FERDINAND S. FERRER / MPA
 Acting General Manager

CONTENT:
AS SHOWN
 REVISION:
 DATE: 01 / 08 / 2024

SHEET NO.:
05

