



**PURCHASE OF ASSORTED PIPES AND FITTINGS THROUGH
 FRAMEWORK AGREEMENT
 TECHNICAL SPECIFICATION**

Scope of Work

1. The scope of work shall be supply and delivery of assorted pipes and fittings to General Santos City Water District (GSCWD).
2. The purchase of assorted pipes and fittings with an approved budget of **Eleven Million Nine-hundred Seventy One Thousand and Eighty Pesos only (11,971,080.00)**
3. All bidders are required to submit documents including, but not limited to, manuals, data sheets, and a Manufacturer's Authorization Certificate (ISO 9001).
4. The winning bidder is subject to the imposition of liquidated damages in every batch of delivery in case of delay in rendering its obligation until actual delivery. The applicable rate is one tenth (1/10) of one (1) percent of the cost of the undelivered portion for every day of delay. Computation of the said liquidated damages shall conform to the provision of RA 9184.
5. The winning bidder shall deliver assorted G.I pipes, Teflon tape and brass fittings on a quarterly basis, and, upon written request, provide additional supplies on expedited basis when GSCWD's warehouse stock levels fall below predetermined thresholds.

Lot no.	Item Description	Quantity	Cost per Item	ABC	Call-off Time / Schedule of Delivery			
					Jan to March	Apr to Jun	Jul to Sep	Oct to Dec
1								
	1/2" Brass Gate Valve	7200 pcs	449.00	3,232,800.00	1,800	1,800	1,800	1,800
	1/2" Brass Swing Check Valve	7200 pcs	273.00	1,965,600.00	1,800	1,800	1,800	1,800
	3/4" Brass Key Valve w/ Key Wrench	7200 pcs	353.00	2,541,600.00	1,800	1,800	1,800	1,800
	3/4" Brass Corporation Stop	1200 pcs	856.00	1,027,200.00	300	300	300	300
	1" Brass Corporation Stop	1200 pcs	1370.00	1,644,000.00	300	300	300	300
	1/2" G.I Pipe ASTM Sch. 40	7,200 ft/360 length	689.00	248,040.00	1,800	1,800	1,800	1,800
	3/4" G.I Pipe ASTM Sch. 40	12,000 ft/600 length	996.00	597,600.00	3,000	3,000	3,000	3,000
	1" C.I Pipe ASTM Sch. 40	4,800 ft/240 length	1576.00	378,240.00	1,200	1,200	1,200	1,200
	1/2" Teflon Tape	24,000 pcs	14.00	336,000.00	6,000	6,000	6,000	6,000
	Total ABC			11,971,080.00				



Item Description : **Brass Gate Valve (½" / 15mm) – 7,200 pcs.**

ABC: 3,232,800.00

Owner : **General Santos City Water District**

1.0 Scope of Contract

The scope shall be supply and delivery of Brass Gate Valve to General Santos City Water District (GSCWD).

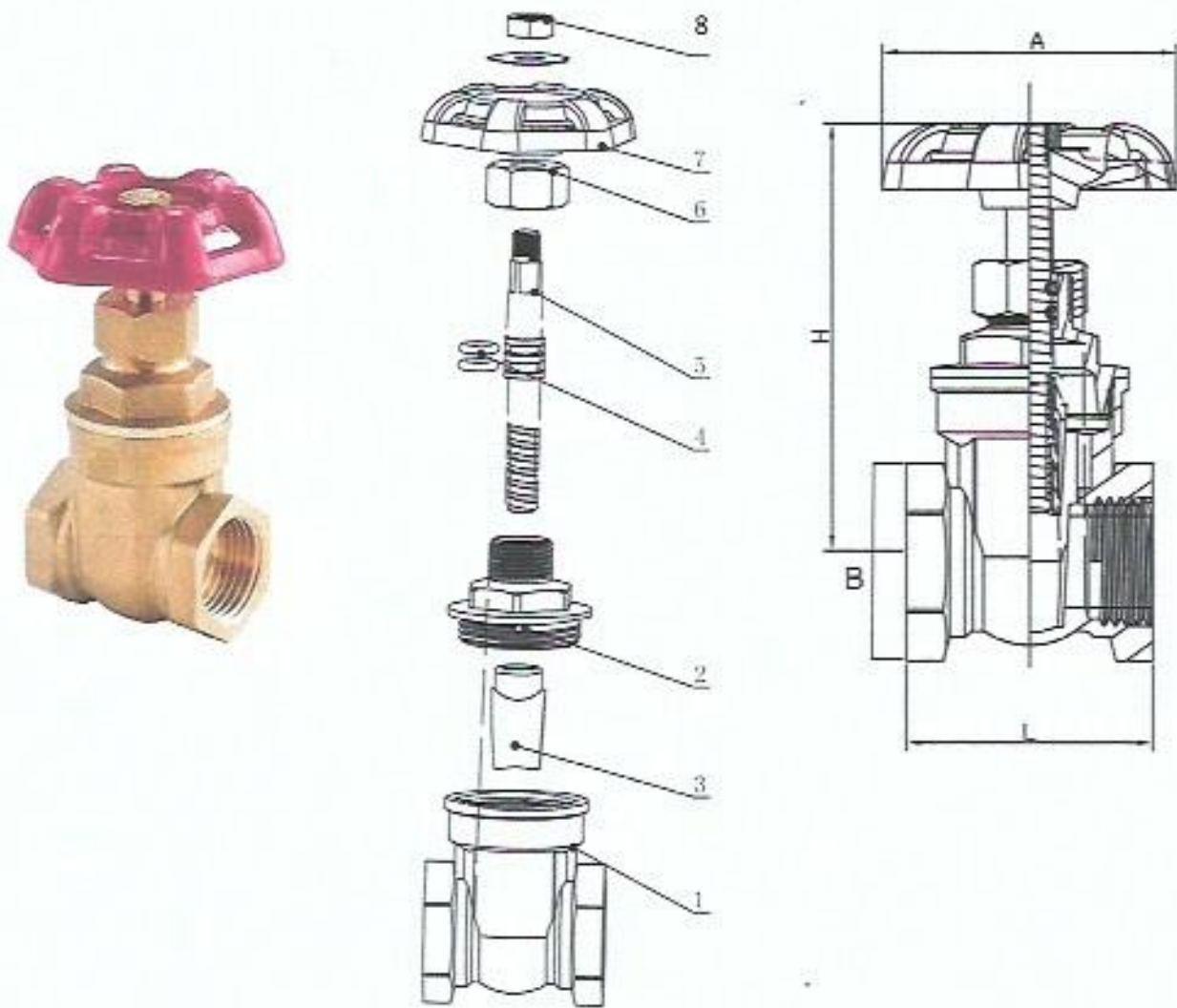
Particulars	Requirements
Size, mm (inches)	15mm (½")
1. Valve Body	Brass
2. Bonnet	Brass
3. Wedge	Brass
4. O-ring	NBR (Nitrile Butadiene Rubber)
5. Stem	Brass
6. Nut	Brass
7. Wheel	Iron
8. Nut	Iron
L (mm)	39mm - 43mm
H (mm)	71mm - 74mm
A (mm)	48mm - 55mm
B (mm)	29mm - 32mm
Weight (grams)	229grams (min.)

Specification:

- It must be used for pipelines holding potable water
- Fittings shall have a composition of 61.0% - 64.0% Copper (Cu), 0.8% - 1.5% Lead (Pb), 0.5% - 1.5% Tin (Sn), 32.0% - 40.0% Zinc (Zn), maximum 0.7% Iron (Fe), maximum 1.0% Nickel (Ni), maximum 0.8% Aluminum (Al), and maximum 0.05% Silicon (Si), corresponding to UNS C85700 and conforming to the requirements of the American Society for Testing and Materials (ASTM) B584. These fittings must be tested at the Metals Industry Research and Development Center (MIRDC) with a certificate to verify compliance, and testing should be done prior to delivery.
- The supplier must have a Certificate of distributorship from the manufacturer attached in the bid docs.
- The Manufacturer or Supplier's Manufacturer must have ISO 9001 Certifications must be attached in the bid docs.
- Size and brand must be indicated on the fitting's body.
- Warranty Period must be 1 year.



2.0 Shop Drawing





Item Description : **Brass Swing Check Valve ½" - 7,200 pcs.**

ABC: 1,965,600.00

Owner : **General Santos City Water District**

1.0 Scope of Contract

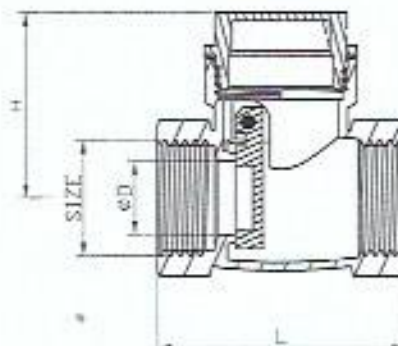
The scope shall be supply and delivery of Brass Swing Check Valve to General Santos City Water District (GSCWD).

Particulars	Requirements
Size (inches)	½"
Screw	Brass
Pin	Brass
Valve Plate	Brass
Valve Cap	Brass
Valve Body	Brass
L (mm)	48mm - 58mm
H (mm)	35mm - 36mm
Ø D (mm)	13mm Ø
Weight (grams)	153grams (min.)

Specification:

- It must be used for pipelines holding potable water
- Fittings shall have a composition of 61.0% - 64.0% Copper (Cu), 0.8% - 1.5% Lead (Pb), 0.5% - 1.5% Tin (Sn), 32.0% - 40.0% Zinc (Zn), maximum 0.7% Iron (Fe), maximum 1.0% Nickel (Ni), maximum 0.8% Aluminum (Al), and maximum 0.05% Silicon (Si), corresponding to UNS C85700 and conforming to the requirements of the American Society for Testing and Materials (ASTM) B584. These fittings must be tested at the Metals Industry Research and Development Center (MIRDC) with a certificate to verify compliance, and testing should be done prior to delivery.
- The supplier must have a Certificate of distributorship from the manufacturer attached in the bid docs.
- The Manufacturer or Supplier's Manufacturer must have ISO 9001 Certifications must be attached in the bid docs.
- Size and brand must be indicated on the fitting's body.
- Warranty Period must be 1 year.

2.0 Shop Drawing





Item Description : **Brass Key Valve 3/4" with Key Wrench - 7,200 pcs.**

ABC: 2,541,600.00

Owner : General Santos City Water District

1.0 Scope of Contract

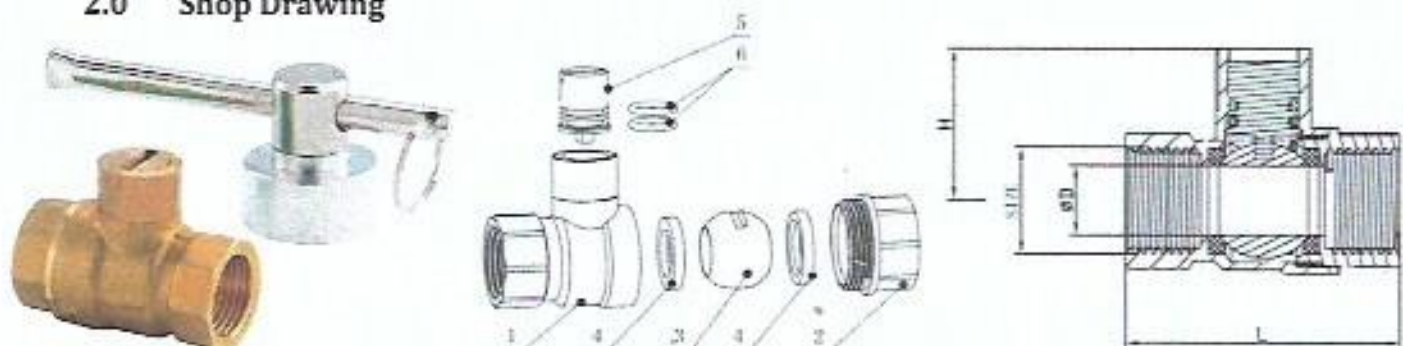
The scope shall be supply and delivery of Brass Key Valve with Key Wrench to General Santos City Water District (GSCWD).

Particulars	Requirements
Size (inches)	3/4"
1. Body	Brass
2. Cap	Brass
3. Ball	Brass
4. Sealing	PTFE
5. Stem	Brass
6. O-ring	NBR (Nitrile Butadiene Rubber)
Ø D (mm)	18mm Ø
L (mm)	58mm ± 2mm
H (mm)	31mm ± 2mm
Weight (grams)	225grams (min.)

Specification:

- It must be used for pipelines holding potable water
- Fittings shall have a composition of 61.0% - 64.0% Copper (Cu), 0.8% - 1.5% Lead (Pb), 0.5% - 1.5% Tin (Sn), 32.0% - 40.0% Zinc (Zn), maximum 0.7% Iron (Fe), maximum 1.0% Nickel (Ni), maximum 0.8% Aluminum (Al), and maximum 0.05% Silicon (Si), corresponding to UNS C85700 and conforming to the requirements of the American Society for Testing and Materials (ASTM) B584. These fittings must be tested at the Metals Industry Research and Development Center (MIRDC) with a certificate to verify compliance, and testing should be done prior to delivery.
- The supplier must have a Certificate of distributorship from the manufacturer attached in the bid docs.
- The Manufacturer or Supplier's Manufacturer must have ISO 9001 Certifications must be attached in the bid docs.
- Size and brand must be indicated on the fitting's body.
- Warranty Period must be 1 year.

2.0 Shop Drawing





Republic of the Philippines
GENERAL SANTOS CITY WATER

E. Fernandez Street, Brgy. Lagao, General Santos City
Telephone No.: 552-3824/554-7231; Telefax No.: 553 4960
E-mail Address: gscwaterdistrict@yahoo.com

Item Description : **Brass Corporation Stop (Clamp Type)**

¾" - 1,200 pcs.

1" - 1,200 pcs.

ABC: 2,671,200.00

Owner : **General Santos City Water District**

1.0 Scope of Contract

The scope shall be supply and delivery of Brass Corporation Stop (Clamp Type) to General Santos City Water District (GSCWD).

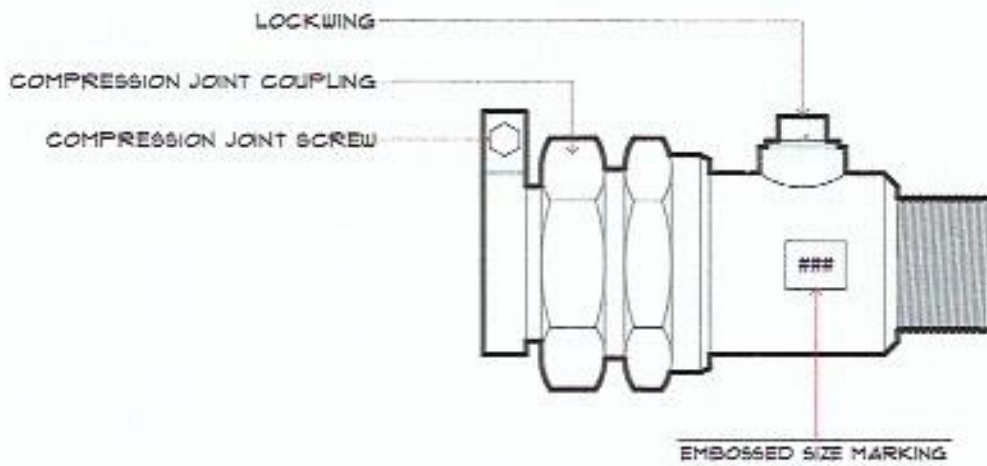
Particulars	Requirements
Size (inches)	¾" and 1"
Body	Brass
Nut	Brass
Ball Component	Brass Chrome Plated
Seat	Teflon Material
Pressure Seal O-ring	NBR (Nitrile Butadiene Rubber)
Lockwing	Brass
Compression Joint	Brass
Compression Joint Stiffener	Stainless Steel Type 304
Compression Joint Screw	Stainless Steel Type 304
Weight (grams)	440 grams ¾"(min)
Weight (grams)	795grams 1" (min.)

Specification:

- It must be used for pipelines holding potable water
- Fittings shall have a composition of 61.0% - 64.0% Copper (Cu), 0.8% - 1.5% Lead (Pb), 0.5% - 1.5% Tin (Sn), 32.0% - 40.0% Zinc (Zn), maximum 0.7% Iron (Fe), maximum 1.0% Nickel (Ni), maximum 0.8% Aluminum (Al), and maximum 0.05% Silicon (Si), corresponding to UNS C85700 and conforming to the requirements of the American Society for Testing and Materials (ASTM) B584. These fittings must be tested at the Metals Industry Research and Development Center (MIRDC) with a certificate to verify compliance, and testing should be done prior to delivery.
- The supplier must have a Certificate of distributorship from the manufacturer attached in the bid docs.
- The Manufacturer or Supplier's Manufacturer must have ISO 9001 Certifications must be attached in the bid docs.
- Size and brand must be indicated on the fitting's body.
- Warranty Period must be 1 year.



2.0 Shop Drawing





Item Description : **Assorted Sizes of Galvanized Iron (G.I.) Pipe ASTM Sch. 40**

- 1/2" - 7,200 ft. / 360 length
- 3/4" - 12,000 ft. / 600 length
- 1" - 4,800 ft. / 240 length

ABC: 1,223,880.00

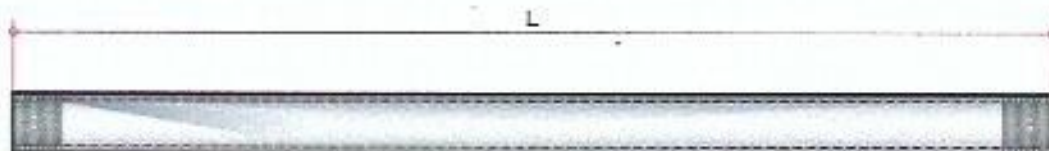
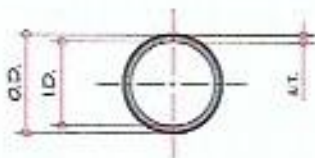
Owner: **General Santos City Water District**

1.0 Scope of Contract

The scope shall be supply and delivery of Assorted Sizes of Galvanized Iron (G.I.) Pipe to General Santos City Water District (GSCWD).

Nominal Pipe Size		Outside Diameter (O.D.)	Schedule 40			Length (L)
			Inside Diameter (I.D.)	Wall Thickness (W.T.)	Weight (min.)	
Inches	mm	mm	mm	mm	kgs/m	ft
1/2	15	21.30	15.76	2.77	1.27	20
3/4	20	26.70	20.92	2.89	1.69	20
1	25	33.40	26.64	3.38	2.50	20

2.0 Shop Drawing





Item Description : **Teflon Tape 1/2" - 24,000 pcs.**

ABC: **336,000.00**

Owner : **General Santos City Water District**

1.0 Scope of Contract

The scope shall be supply and delivery of Teflon Tape to General Santos City Water District (GSCWD).

Specification:

- 0.075mm x 12mm (1/2") x 10 meters.
- White Color
- Use on plastic, stainless steel, aluminum, brass and most threaded applications.
- Provides tight assembly and easy disassembly.
- Rethreads worn away threads.
- Temperature rating from -100°C to 260°C.
- Inert and withstands Solvents
- Minimum weight of 3 grams (excluding case/cover, Teflon tape only)
- 0.25% randomly checked per delivery

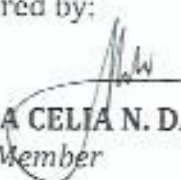





Republic of the Philippines
GENERAL SANTOS CITY WATER

E. Fernandez Street, Brgy. Lagao, General Santos City
Telephone No.: 552-3824/554-7231; Telefax No.: 553-4960
E-mail Address: gscwaterdistrict@yahoo.com


Prepared by:


MARIA CELIA N. DANDAN, CE
TWG Member


KEVIN J. ANTE, MPA
TWG Member


MICHAEL G. GABALES, REE
TWG Head

Recommending Approval:


ROGELIO A. BESANA JR. CE, RMP
AGM-Operation & Technical Services

Approved:


FRANCISCO R. ALOLOD, CPA, CESE
Acting General Manager A