

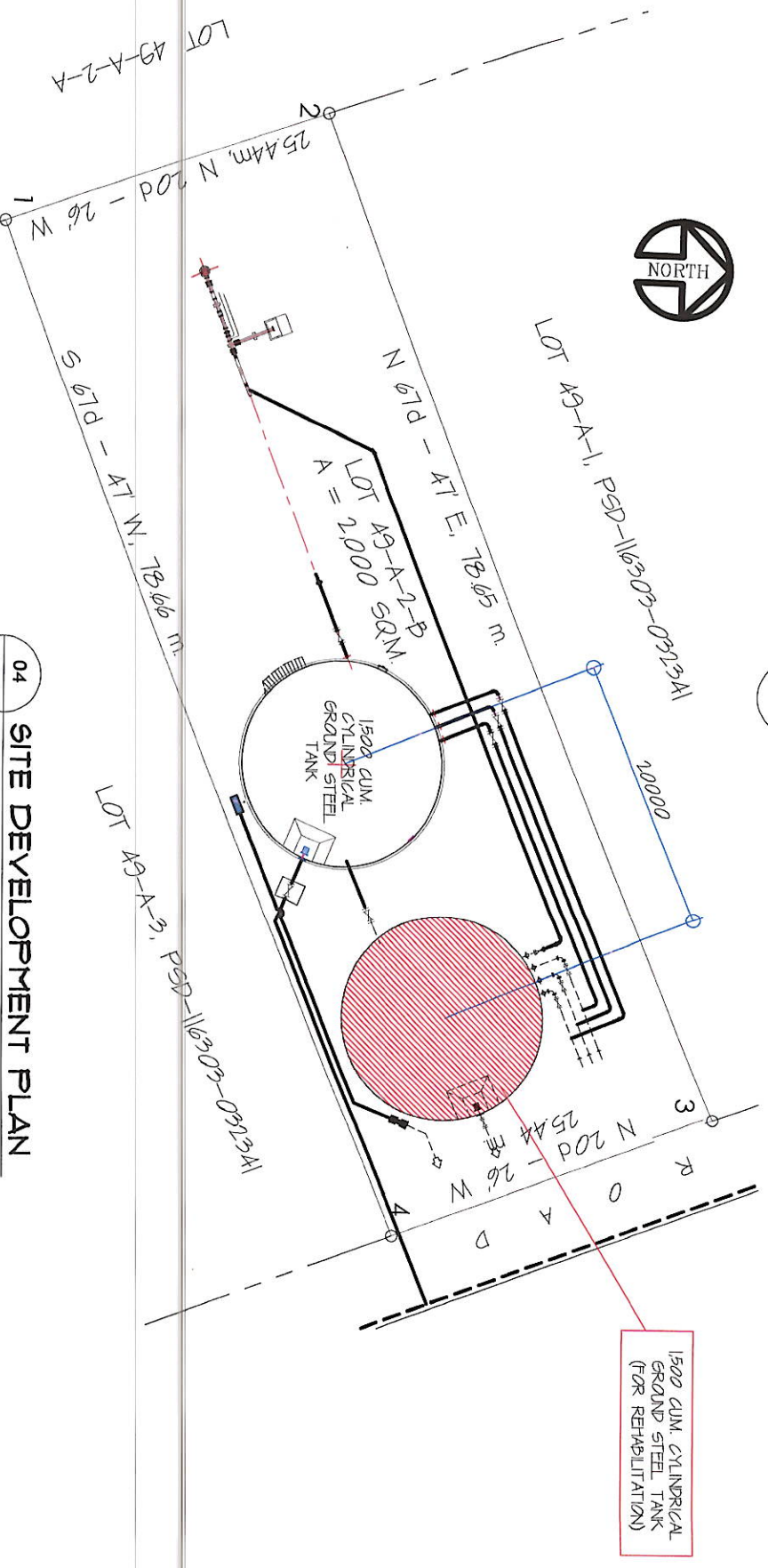
01 PERSPECTIVE VIEW
SCALE: A-01



03 LOCATION PLAN
SCALE: A-01
NTS



02 VICINITY MAP
SCALE: A-01
NTS

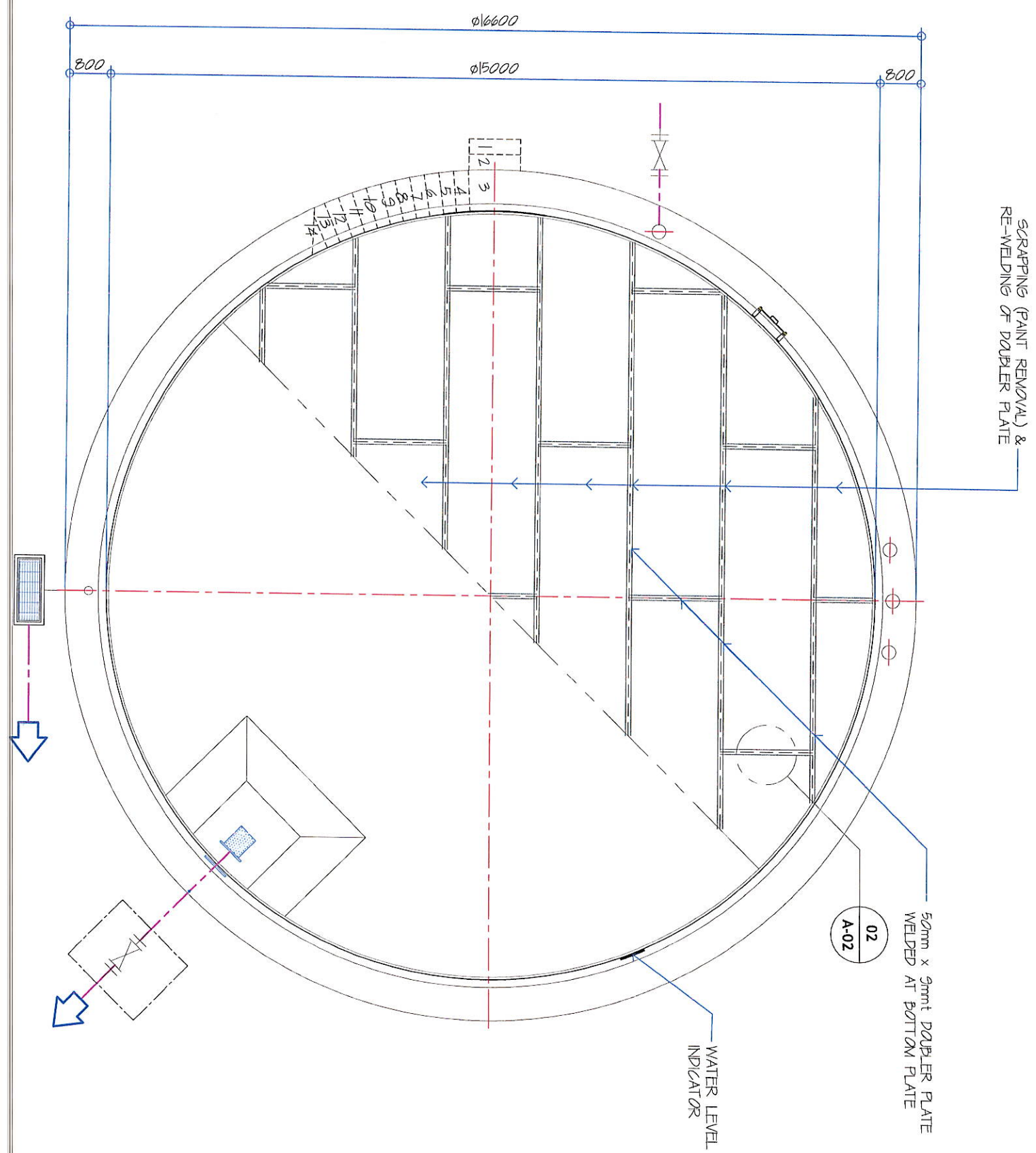


04 SITE DEVELOPMENT PLAN
SCALE: A-01
NTS

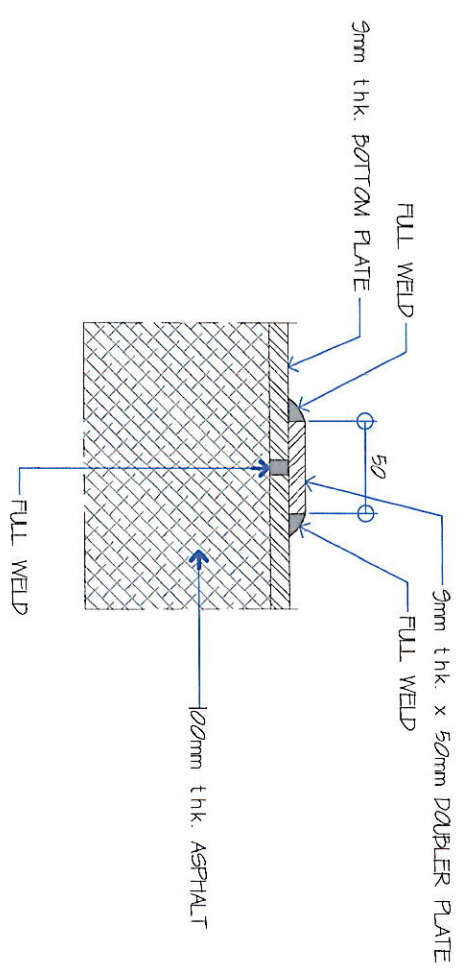
PROJECT TITLE: REHABILITATION OF 1,500 CUM. CYLINDRICAL GROUND STEEL RESERVOIR	CHECKED BY: <i>[Signature]</i>	REVIEWED BY: <i>[Signature]</i>	RECOMMENDED FOR APPROVAL BY: <i>[Signature]</i>	APPROVED BY: <i>[Signature]</i>	SHEET CONTENTS: AS SHOWN	SHEET NO.:
LOCATION: SAVALAGE BRGY. SINAWAL, GENERAL SANTOS CITY	DANILO M. TORILADOR, JR., CE OFFICER, PLANNING AND DEVELOPMENT	MARIA CELIA N. DANDAN, CE DEPARTMENT MANAGER - ENGINEERING AND CONSTRUCTION DEPARTMENT	ROGELIO A. BESANA, JR., CERMP ASSISTANT GENERAL MANAGER - OIS	FRANCISCO R. ALOLOD, JR. CPA, CSE		A-01
						1
						11

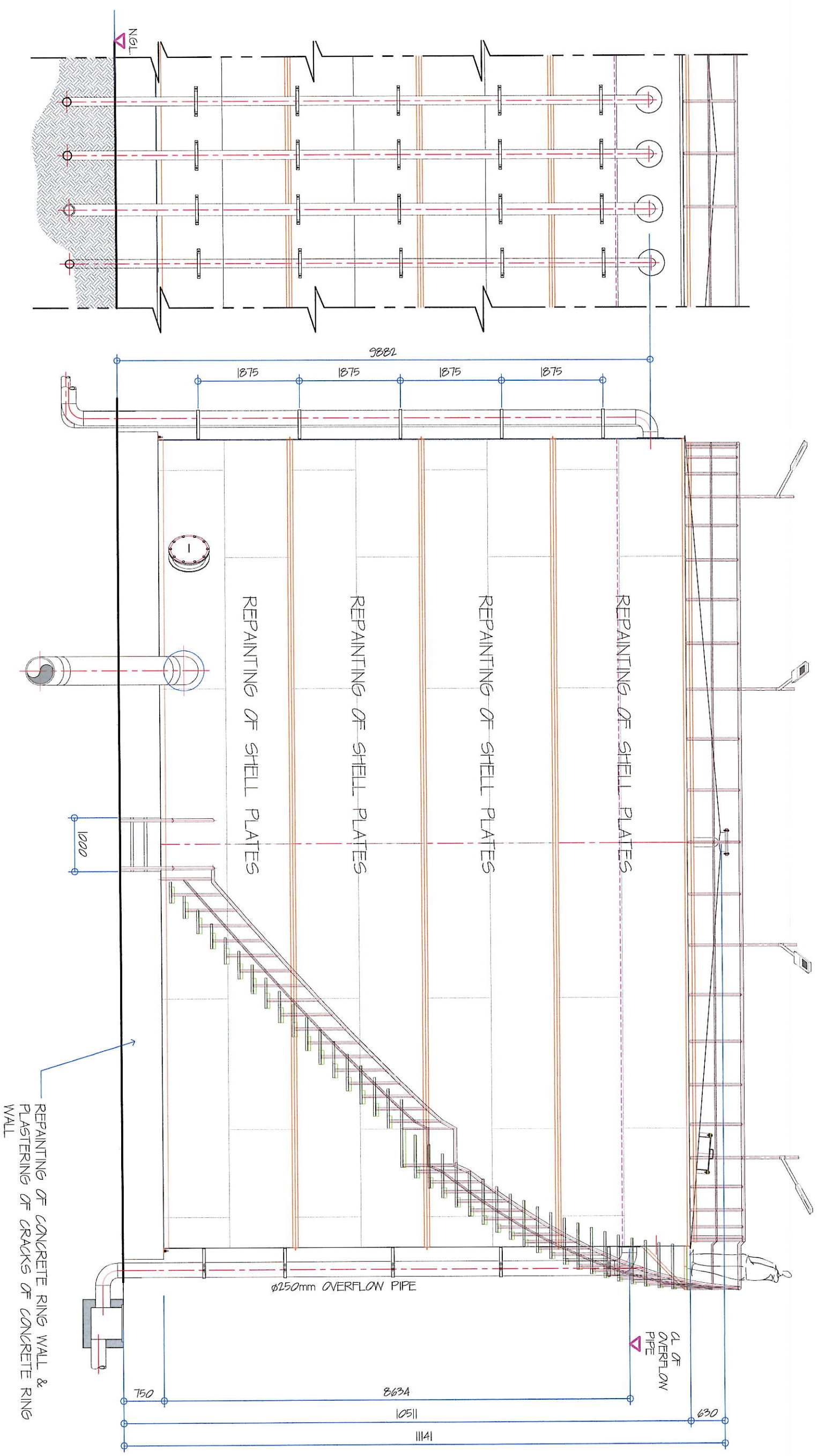
PROJECT TITLE: REHABILITATION OF 1,500 CUM. CYLINDRICAL GROUND STEEL RESERVOIR	CHECKED BY: <i>[Signature]</i> DANILO M. HORLADOR, JR., CE	REVIEWED BY: <i>[Signature]</i> MARIA CELIA N. DANDAN, CE	RECOMMENDED FOR APPROVAL BY: <i>[Signature]</i> ROGELIO A. BESANA JR. CE, RMP	APPROVED BY: <i>[Signature]</i> FRANCISCO R. ALOLOD, JR. CPA, CSE	SHEET CONTENTS: AS SHOWN	SHEET NO.: A-02
LOCATION: SA VILLAGE BRGY. SANAVAL, GENERAL SANTOS CITY	PROJ. MGR.: FRANCISCO R. ALOLOD, JR.	DESIGNER: DANILO M. HORLADOR, JR.	ASSISTANT GENERAL MANAGER - OIS	ACTING GENERAL MANAGER	PREPARED BY: JCC	DATE: JANUARY 2024
					REV. NO. 00	2
						11

01 RESERVOIR PLAN
 SCALE: 1:100 M



02 DETAILED SECTION
 SCALE: 1:4 M





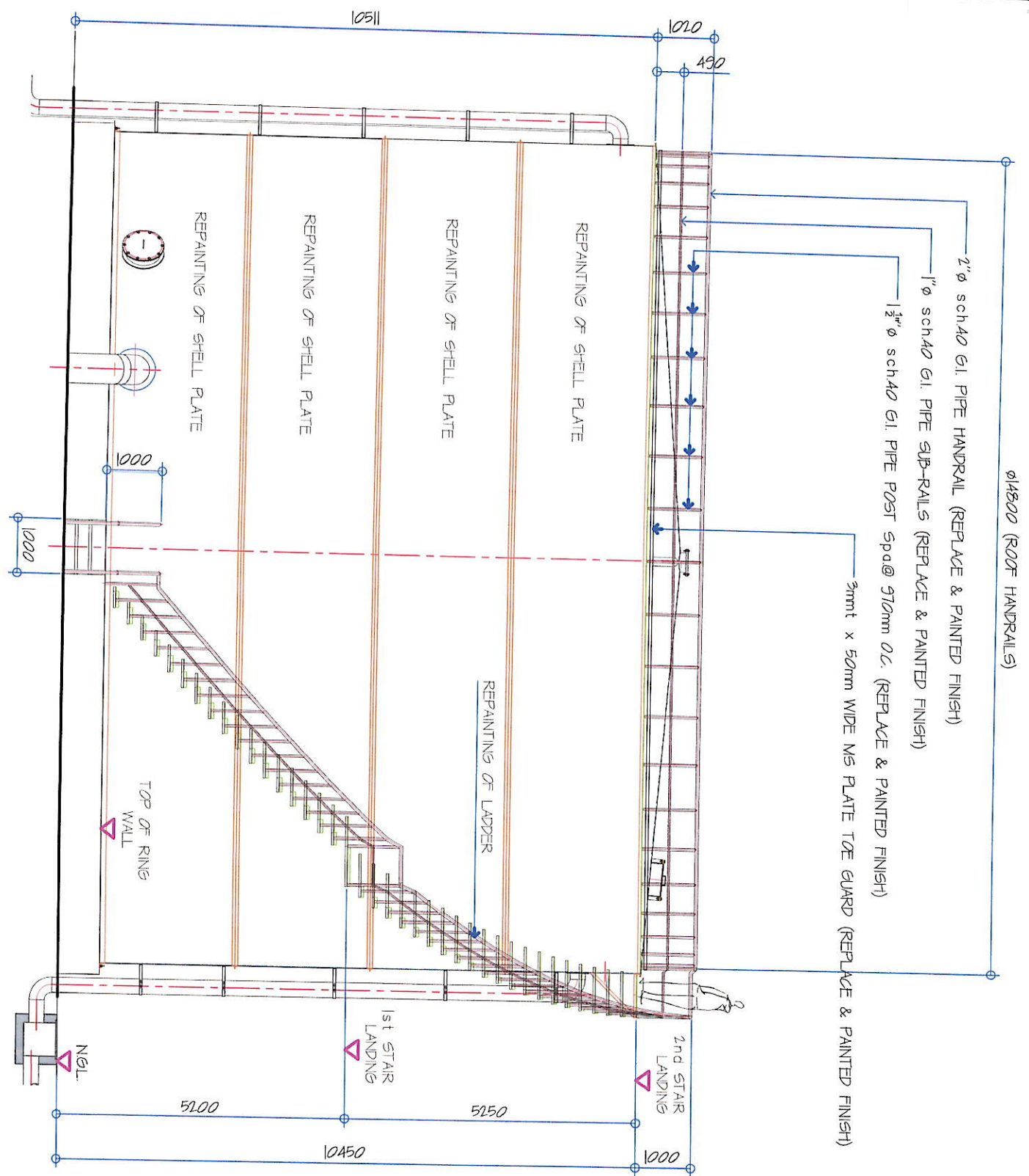
01
E L E V A T I O N
A-03
SCALE: 1 : 75 M

 <p>GENERAL SANTOS CITY WATER DISTRICT E. FERNANDEZ STREET BRGY. LAGAO, GEN. SANTOS CITY ENGINEERING & CONSTRUCTION DEPARTMENT PLANNING AND DESIGN DIVISION TEL. NO. - (083) 522-3824</p>	<p>PROJECT TITLE: REHABILITATION OF 1,500 CU.M. CYLINDRICAL GROUND STEEL RESERVOIR</p>	<p>CHECKED BY:  DANILO M. ORLANDOR, JR., CE PDD - PROJECT PLANNING AND DEVELOPMENT OFFICER A</p>	<p>REVIEWED BY:  MARIA CELIA N. DANDAN, CE DEPARTMENT MANAGER - ENGINEERING AND CONSTRUCTION DEPARTMENT</p>	<p>RECOMMENDED FOR APPROVAL BY:  ROGELIO A. BESANA, JR., CERMP ASSISTANT GENERAL MANAGER - OIS</p>	<p>APPROVED BY:  FRANCISCO R. ALOLOD, JR., CPACSE ACTING GENERAL MANAGER</p>	<p>SHEET CONTENTS: AS SHOWN</p>	<p>SHEET NO.: A-03</p>
<p>LOCATION: SV VILLAGE BRGY. SANAAL, GENERAL SANTOS CITY</p>	<p>PREPARED BY: JCG</p>	<p>DATE: JANUARY 2024</p>	<p>REV. NO.: 00</p>	<p>3</p>	<p>11</p>		

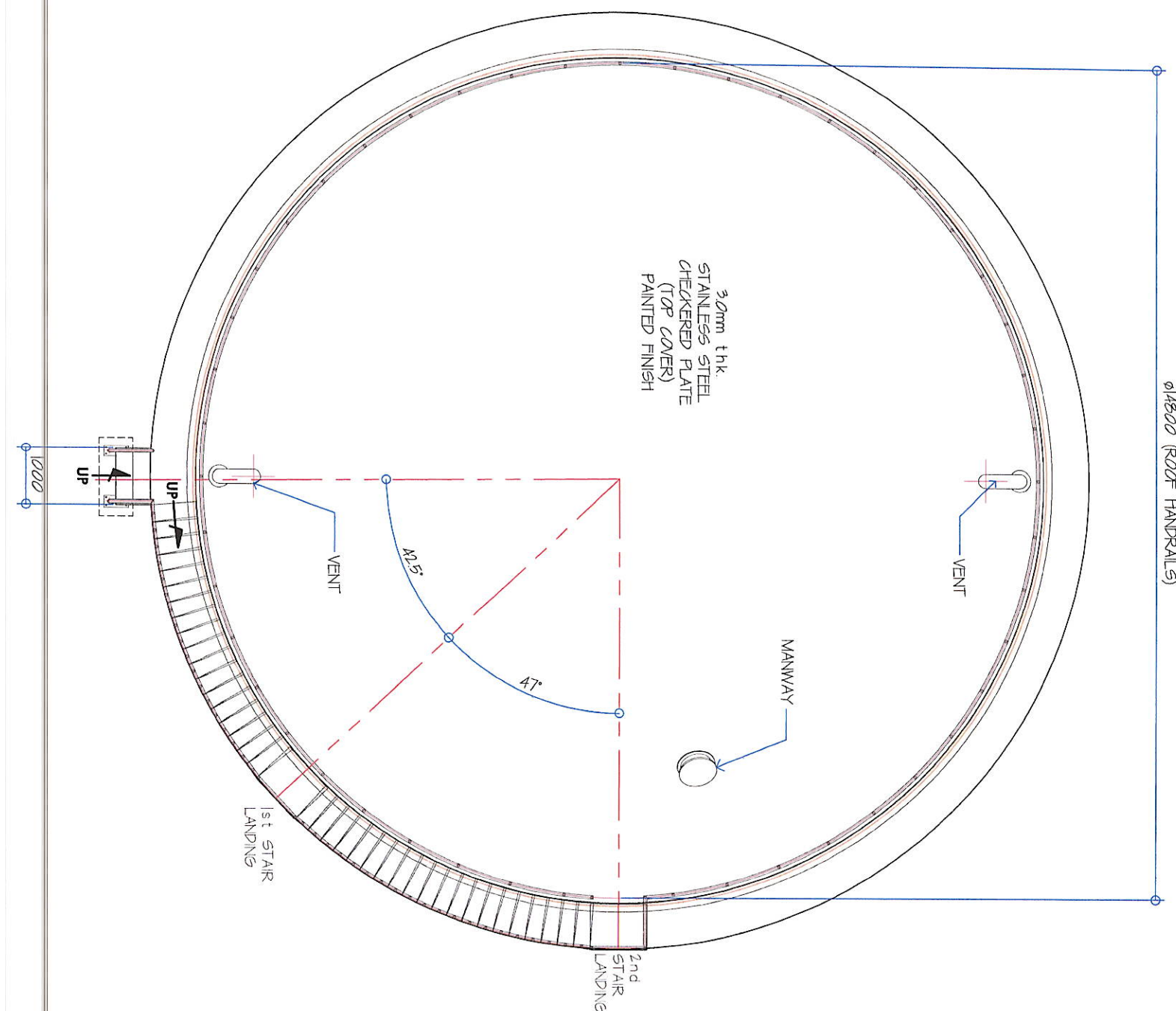
PROJECT TITLE: REHABILITATION OF 1,500 CU.M. CYLINDRICAL GROUND STEEL RESERVOIR	CHECKED BY: <i>[Signature]</i>	REVIEWED BY: <i>[Signature]</i>	RECOMMENDED FOR APPROVAL BY: <i>[Signature]</i>	APPROVED BY: <i>[Signature]</i>	SHEET CONTENTS: AS SHOWN	SHEET NO.:
DANILLO HORLADOR, JR., CE	MARIA CELIA N. DANDAN, CE	ROGELIO A. BESANA JR. CE, RMP	FRANCISCO R. ALOLOD, JR. CP, ACE	PREPARED BY: JCG	DATE: JANUARY 2024	REV. NO. 00
LOCATION: SW VILLAGE BRGY. SINAVAL, GENERAL SANTOS CITY				REVISIONS:		4
						11

01 ROOF HANDRAILS & STAIR DETAIL
 SCALE: 1 : 100 M

ELEVATION

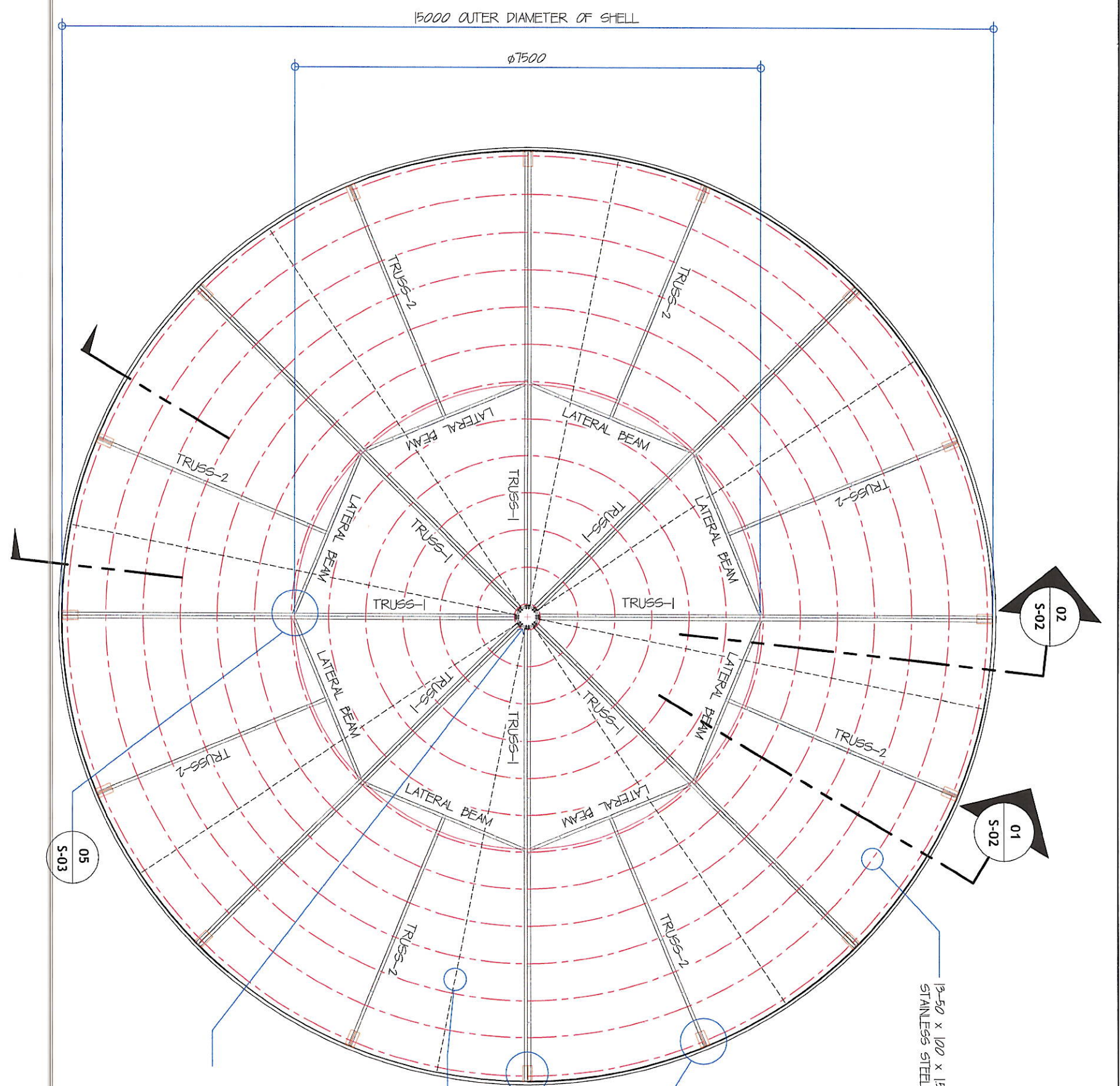


PLAN

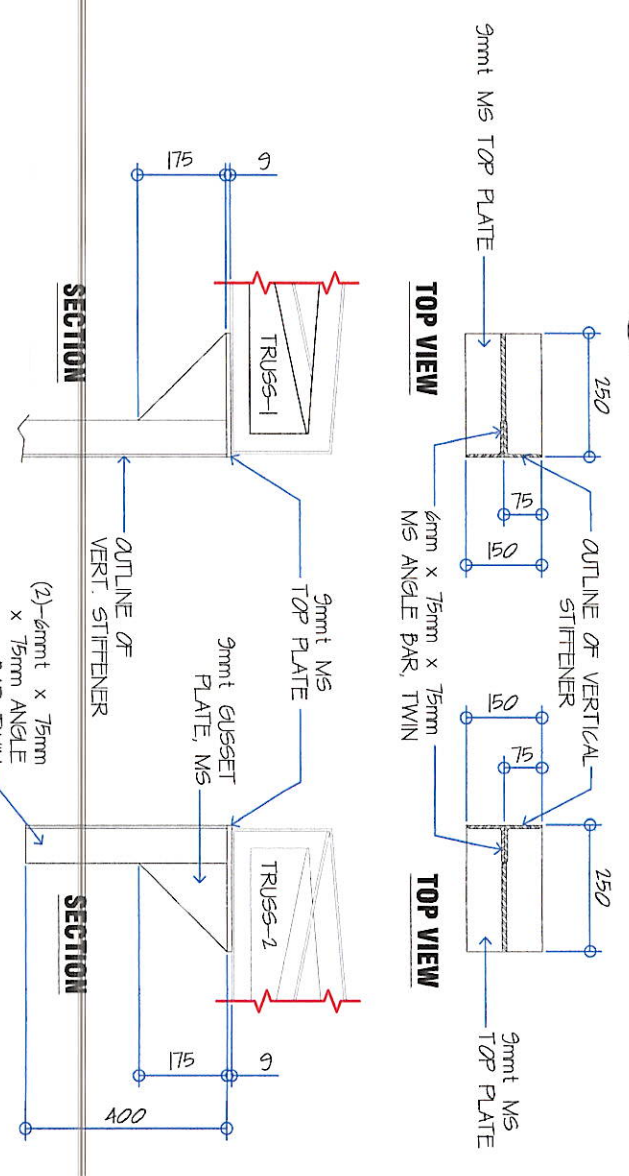


PROJECT TITLE: REHABILITATION OF 1,500 CU.M. CYLINDRICAL GROUND STEEL RESERVOIR	CHECKED BY: <i>[Signature]</i>	REVIEWED BY: <i>[Signature]</i>	RECOMMENDED FOR APPROVAL BY: <i>[Signature]</i>	APPROVED BY: <i>[Signature]</i>	SHEET CONTENTS: AS SHOWN	SHEET NO.:
DANILLO M. HORLADOR, JR., CE P.D. - PROJECT PLANNING AND DEVELOPMENT OFFICE A	MARIA CELIA N. DANDAN, CE DEPARTMENT MANAGER - ENGINEERING AND CONSTRUCTION DEPARTMENT	ROGELIO A. BESANA JR., CERMP ASSISTANT GENERAL MANAGER - OIS	FRANCISCO R. ALOLOD, JR. CP/CSE ACTING GENERAL MANAGER	PREPARED BY: JCG	DATE: JANUARY 2024	REV. NO. 00
LOCATION: SM VILLAGE BRGY. SINAVAL, GENERAL SANTOS CITY						6
						11

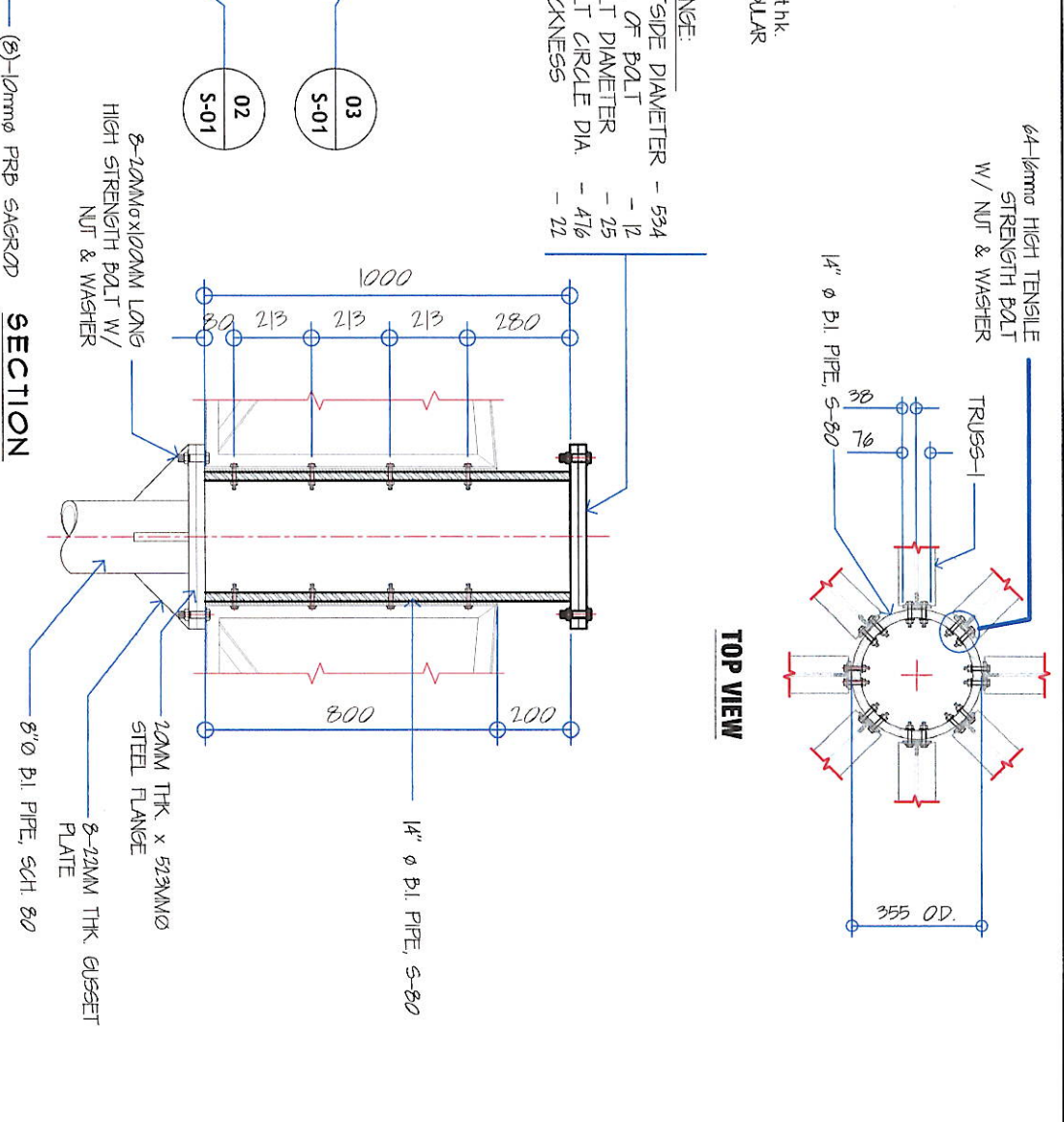
01 ROOF FRAMING DETAIL
 SCALE: 1 : 75 M



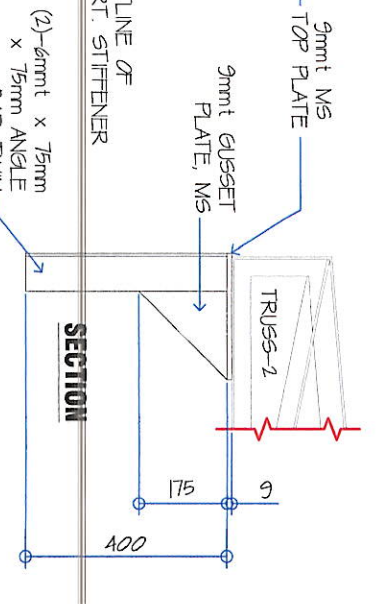
02 TRUSS-1 END SUPPORT DETAIL
 SCALE: 1 : 15 M



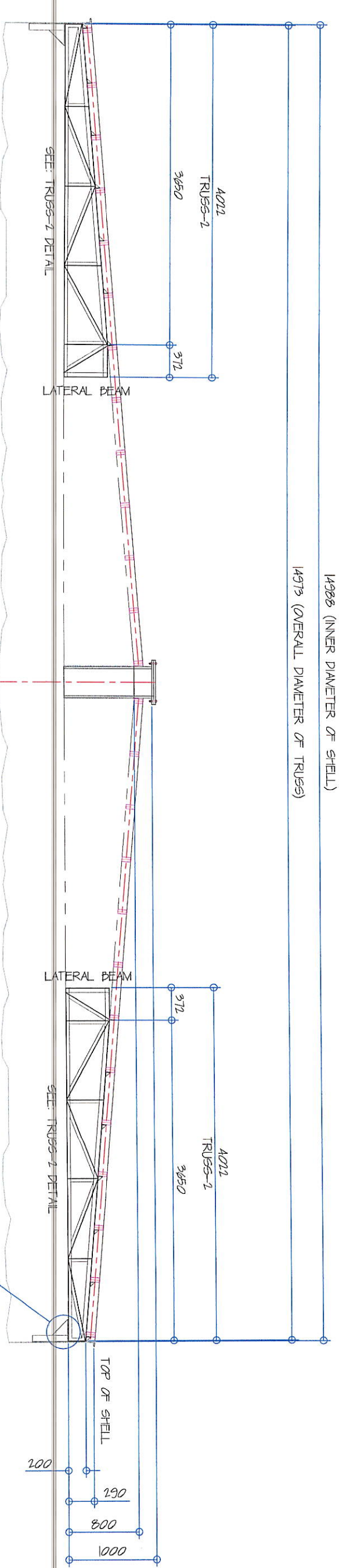
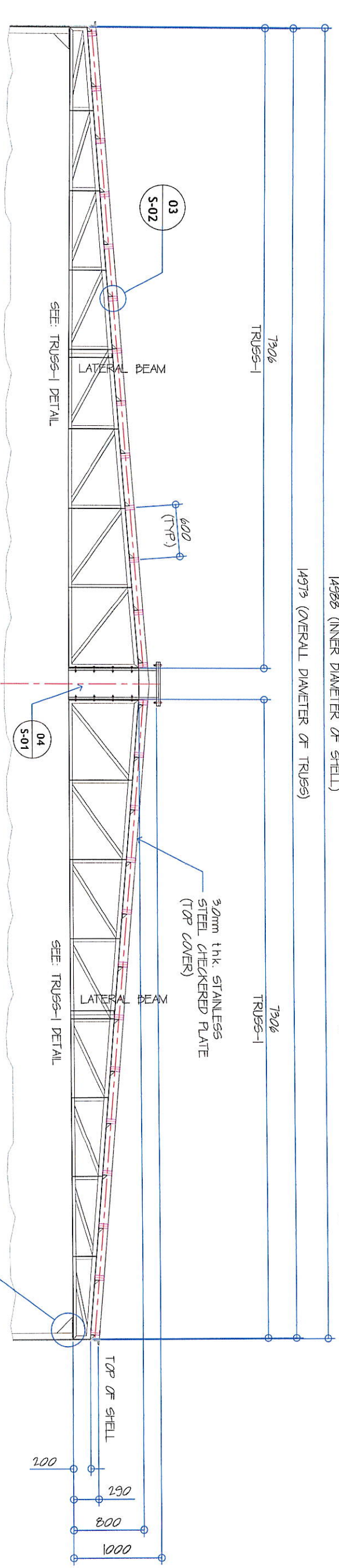
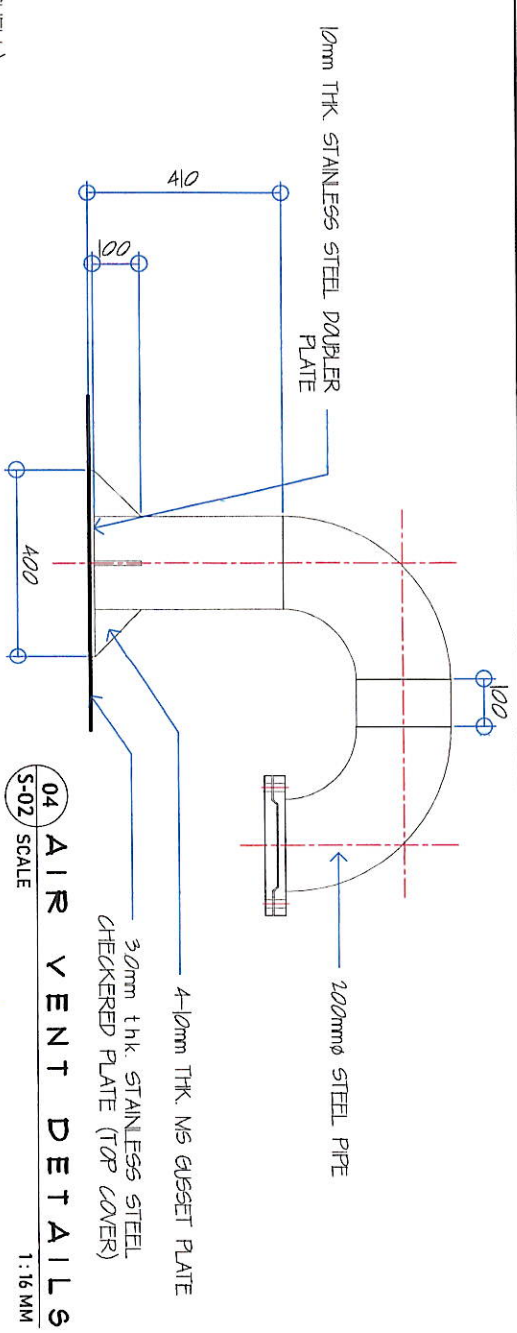
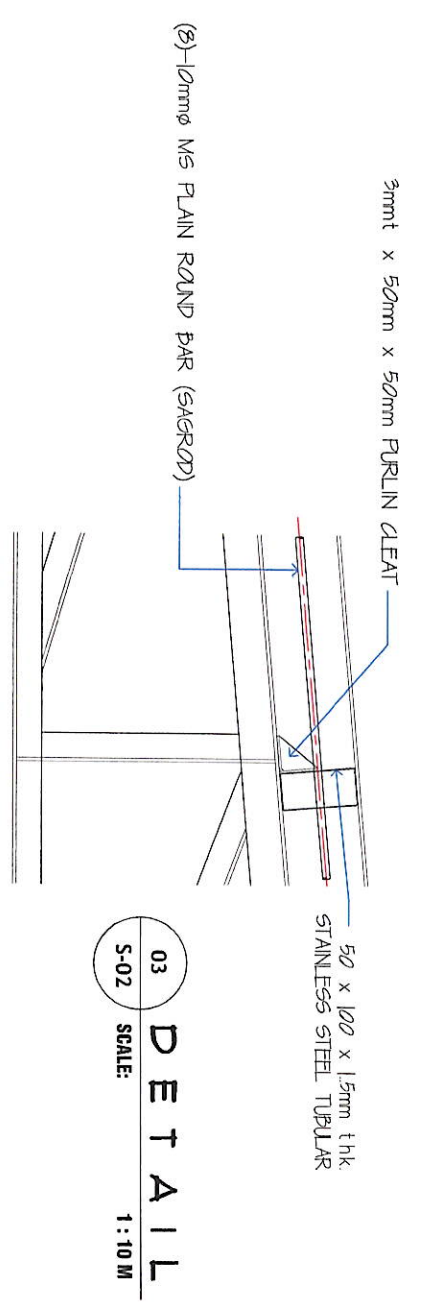
04 CENTER CONNECTOR DETAILS
 SCALE: 1 : 20 MM



03 TRUSS-2 END SUPPORT DETAIL
 SCALE: 1 : 15 M



PROJECT TITLE:	REHABILITATION OF 1,500 CU.M. CYLINDRICAL GROUND STEEL RESERVOIR	CHECKED BY:	DANILON M. HORLADOR, JR., CE	REVIEWED BY:	MARIA CELIA N. DANDAN, CE	RECOMMENDED FOR APPROVAL BY:	ROGELIO A. BESANA JR. CE/RMP	APPROVED BY:	FRANCISCO R. ALDOLID, JR. CPA/CESE	SHEET CONTENTS:	AS SHOWN	SHEET NO.:	S-02
LOCATION:	SA VILLAGE BRGY. SINAWAL, GENERAL SANTOS CITY	PROJ. NO.:	PLANNING AND DESIGN DIVISION	DEPARTMENT:	ENGINEERING AND CONSTRUCTION	DESIGNER:	ROGELIO A. BESANA JR.	DATE:	JANUARY 2024	REV. NO.:	00		



PROJECT TITLE: WATER LEVEL INDICATOR OF 1,500 CUM. CYLINDRICAL GROUND STEEL RESERVOIR
CHECKED BY: DANILLO M. HORLADOR, JR., CE

REVIEWED BY: MARIA CELIA N. DANDAN, CE

RECOMMENDED FOR APPROVAL BY: ROGELIO A. BESANA JR. CE, RMP

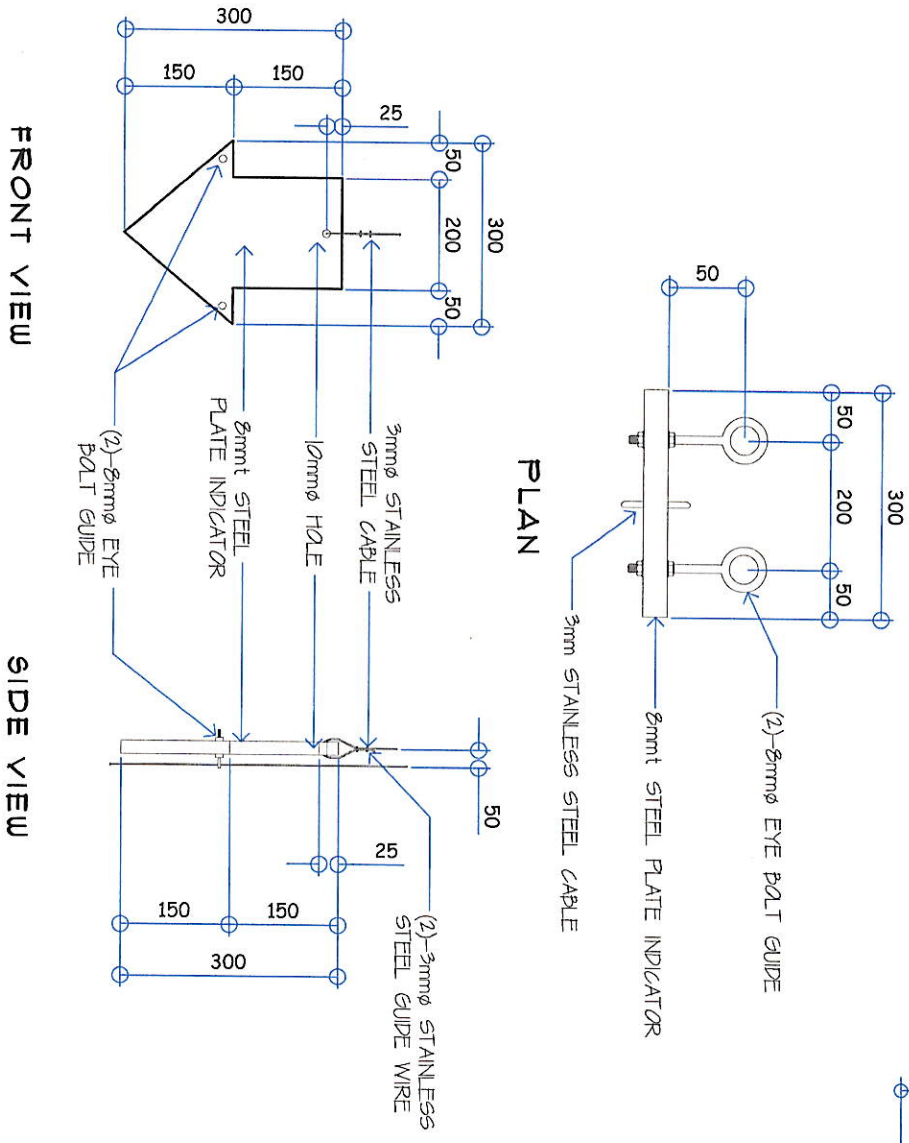
APPROVED BY: FRANCISCO R. ALOLOD, JR. CP, ACE

SHEET CONTENTS: AS SHOWN

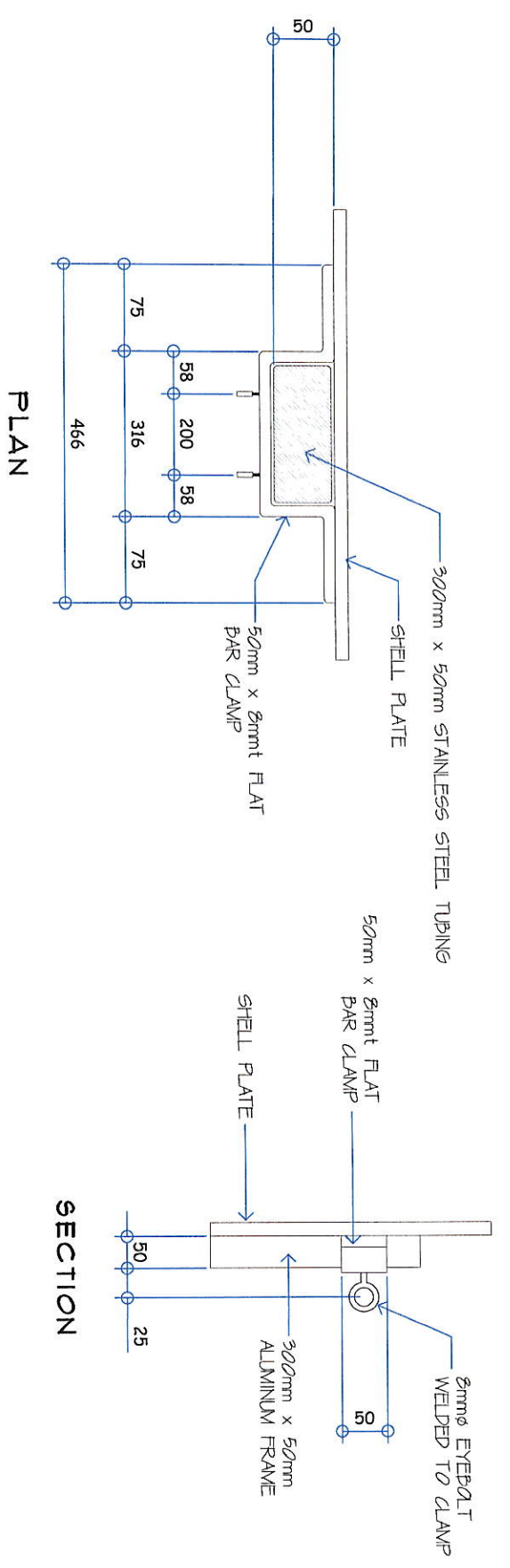
SHEET NO.: S-05

PREPARED BY: JCC
DATE: JANUARY 2024
REV. NO. 00

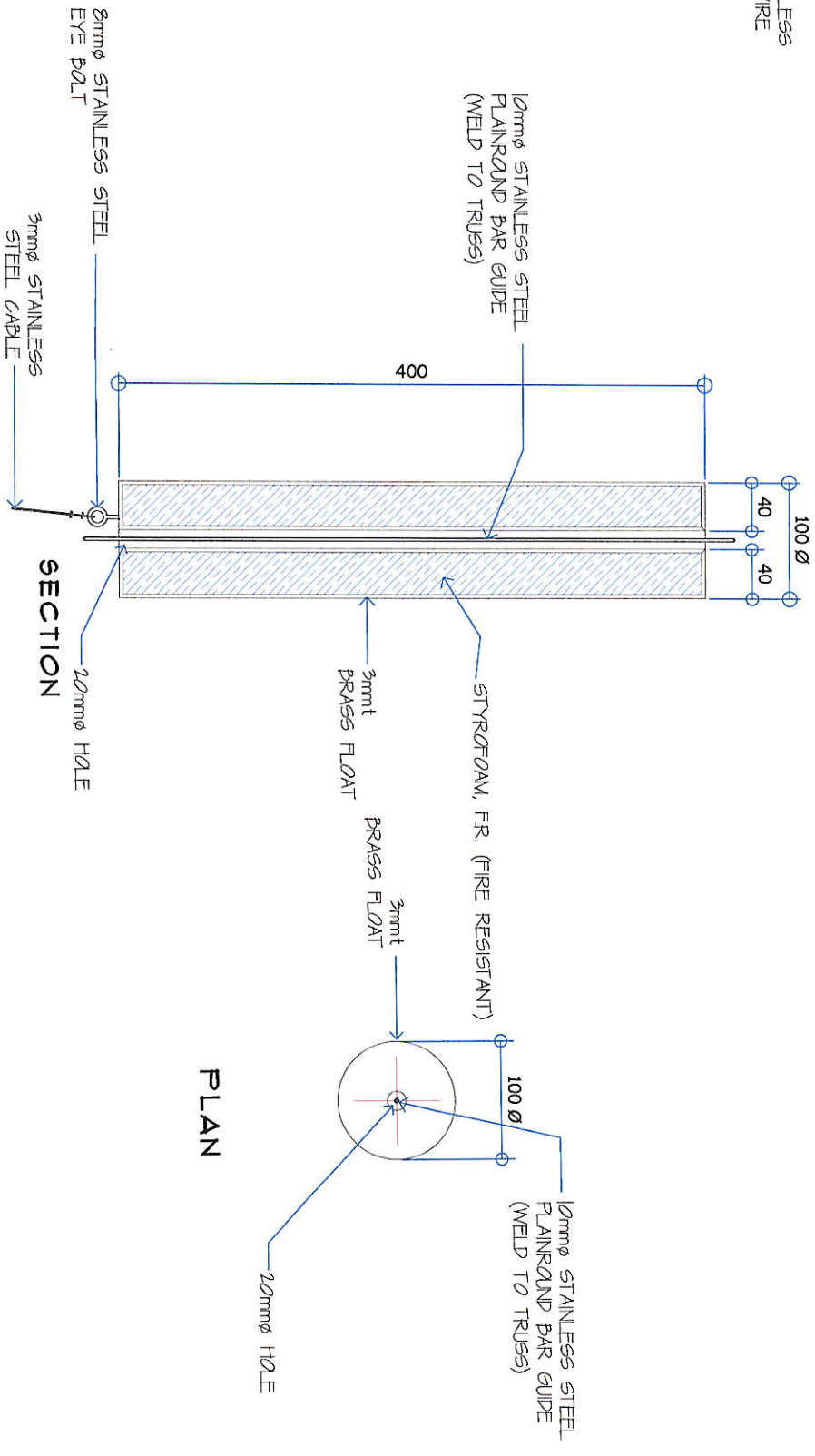
03 STEEL PLATE INDICATOR DETAILS
 S-05 SCALE
 NTS



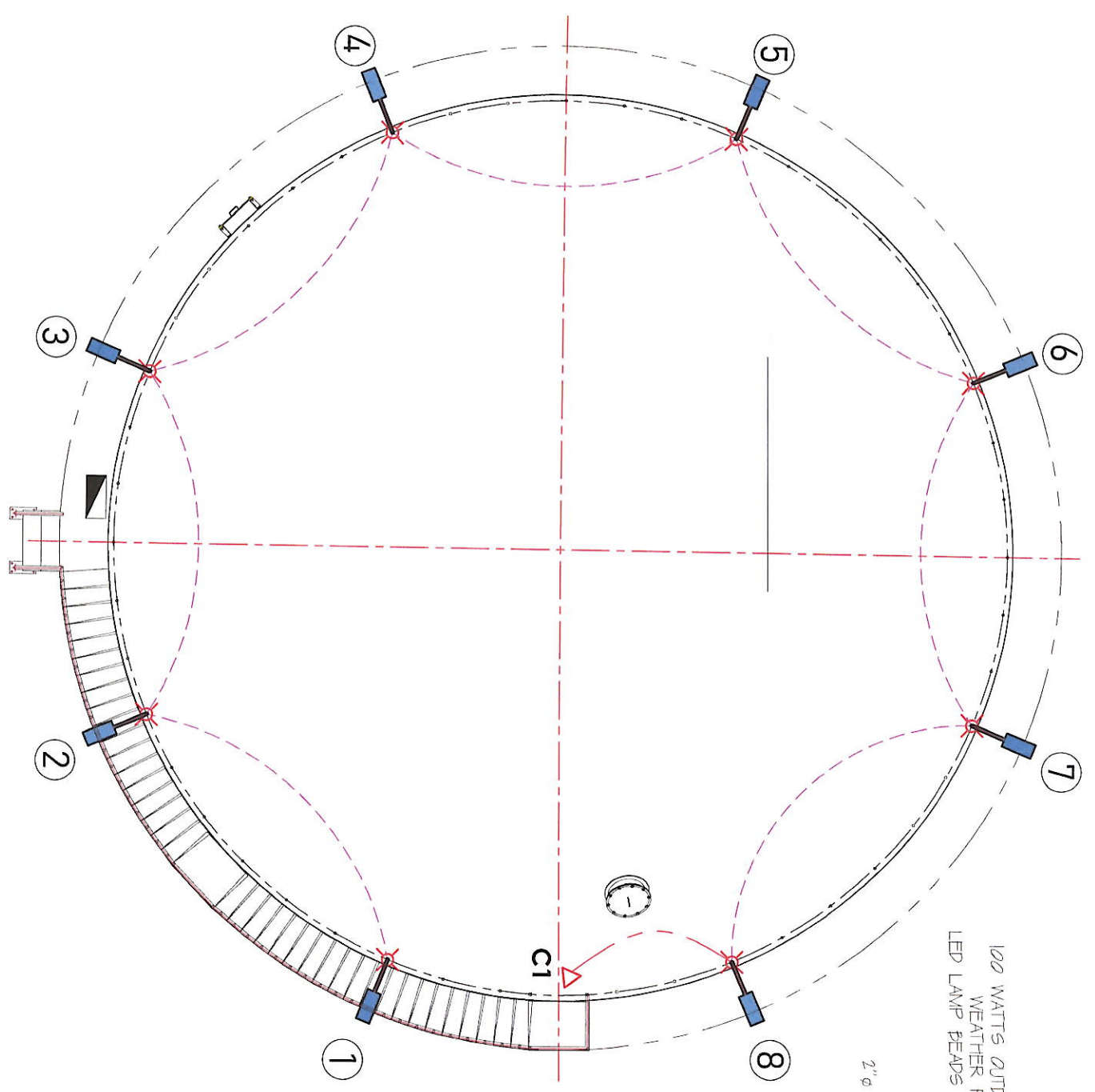
02 LEVEL INDICATOR CLAMP DETAILS
 S-05 SCALE
 NTS



04 STAINLESS STEEL FLOATER DETAILS
 S-05 SCALE
 NTS



PROJECT TITLE: REHABILITATION OF 1,500 CU.M. CYLINDRICAL GROUND STEEL RESERVOIR	CHECKED BY: <i>[Signature]</i>	REVIEWED BY: <i>[Signature]</i>	RECOMMENDED FOR APPROVAL BY: <i>[Signature]</i>	APPROVED BY: <i>[Signature]</i>	SHEET CONTENTS: AS SHOWN	SHEET NO.: E-01
LOCATION: SIVILAGE BRGY. SANAAL, GENERAL SANTOS CITY	DESIGNED BY: DANILLO M. HERRADOR, JR., CE	ENGINEER IN CHARGE: MARIA CELIA N. DANDAN, CE	ASSISTANT GENERAL MANAGER - OIS: ROGELIO A. BESANA JR. CERMP	ACTING GENERAL MANAGER: FRANCISCO R. ALOLOD, JR. CPA, CSE	PREPARED BY: JCG	DATE: JANUARY 2024
					REV. NO. 00	11
						11



01 ELECTRICAL PLAN
 SCALE: 1 : 100 M

SPECIFICATIONS:

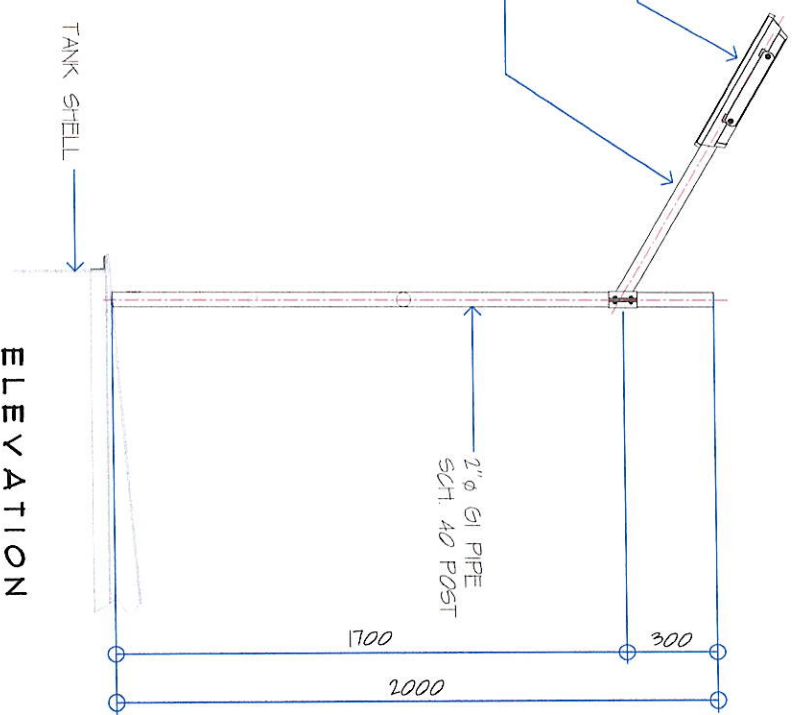
ALL ELECTRICAL WORKS AND INSTALLATIONS SHALL CONFORM WITH THE LATEST EDITION OF THE PHILIPPINE ELECTRICAL CODE, RULES AND REGULATIONS OF THE LOCAL POWER UTILITY COMPANY AND CITY ORDINANCE.
 SERVICE ENTRANCE SHALL BE 220V, SINGLE PHASE AND SHALL BE RIGID STEEL CONDUIT (RSC).
 CIRCUIT RUN SHOWN ON THE PLAN IS ONLY SCHEMATIC. ACTUAL RUN SHALL BE DETERMINED ON THE FIELD.
 ALL MATERIALS TO BE USE HERE IN SHALL BE BRAND NEW AND APPROVED TYPES FOR BOTH LOCATIONS AND PURPOSED.
 ALL ELECTRICAL WORKS AND INSTALLATION SHALL BE DONE UNDER THE STRICK SUPERVISION OF A DULY LICENSED ELECTRICAL PRACTITIONER AS PER RA 7910

COMPUTATIONS:

1) MINIMUM SIZE OF FEEDER REQUIRED:
 TOTAL DEMAND = 800W
 T I 800(125) = 1000W
 T I 1000W/220V = 4.55 AMPS
 2) DEMAND APPLICATION:
 USE: 2-55MM² THW WIRE ON 20MM ϕ PVC CONDUIT

SCHEDULE OF LOADS

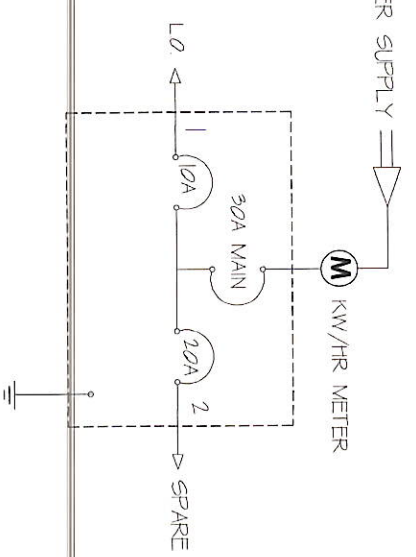
CKT. No.	LOAD DESCRIPTION	NO. OF PCS.	WATTAGE	TOTAL WATTAGE	VOLT	AMP	CB RATING	WIRE USE AND CONDUIT SIZE
1	LIGHTS	8	100	800	220	3.63	10AMP	3.5 mm ² THW WIRE IN 20mm ϕ PIPE
2	SPARE						10AMP	3.5 mm ² THW WIRE IN 20mm ϕ PIPE
	TOTAL			800		3.63	30AMP	5.5 mm ² THW WIRE IN 20mm ϕ PIPE



02 LIGHT POST DETAIL
 SCALE: 1 : 25 M

LEGEND:

SYMBOLS	DESCRIPTION
	PANEL BOARD
	WEATHER PROOF LED LIGHT
	SWITCH
	CIRCUIT LINE
	SWITCH LINE
	LIGHTS
	FLOAT SWITCH VALVE
	CIRCUIT HOMERUN



03 SCHEMATIC DIAGRAM
 SCALE: N T S