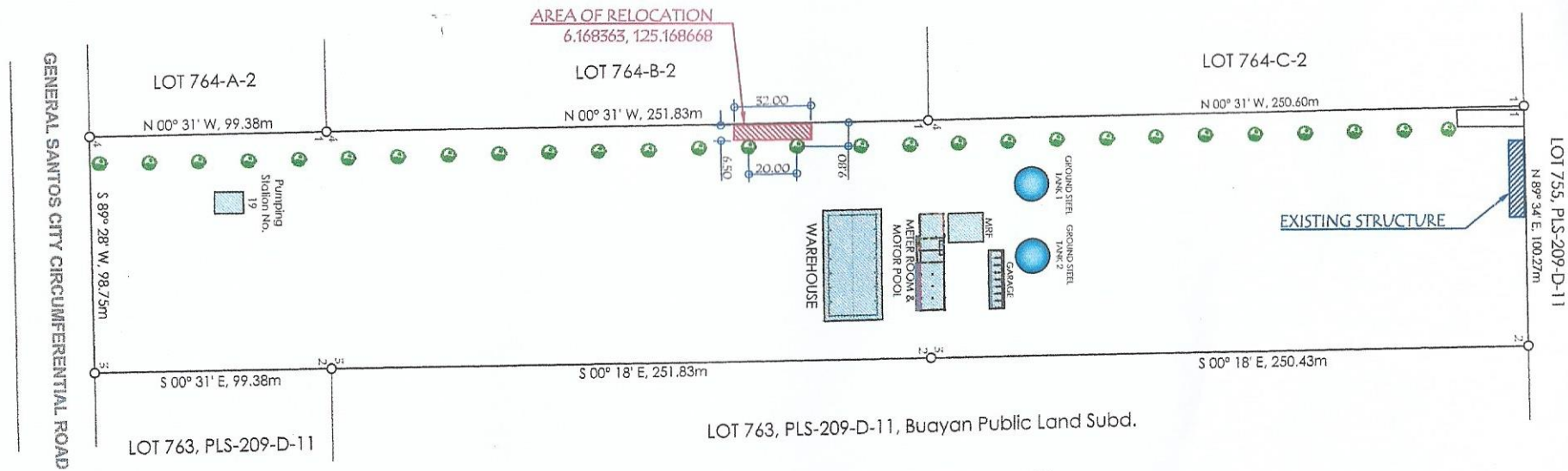




PERSPECTIVE
SCALE: NTS



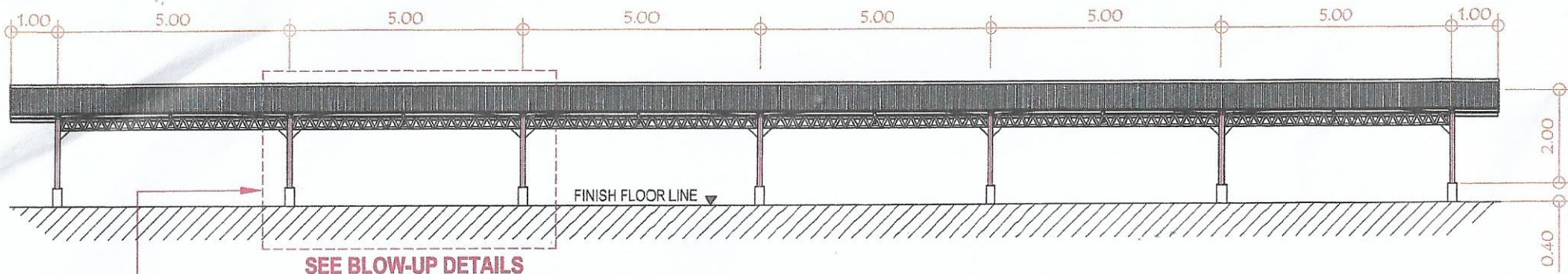
VICINITY MAP
SCALE: NTS



SITE DEVELOPMENT PLAN
SCALE: NTS

GENERAL SANTOS CITY WATER DISTRICT
E. FERDINAND STREET, BAY LAGO, GENERAL SANTOS CITY
ENGINEERING & CONSTRUCTION DEPARTMENT
PLANNING AND DESIGN DIVISION
TEL. NO. (083) 838 - 8394

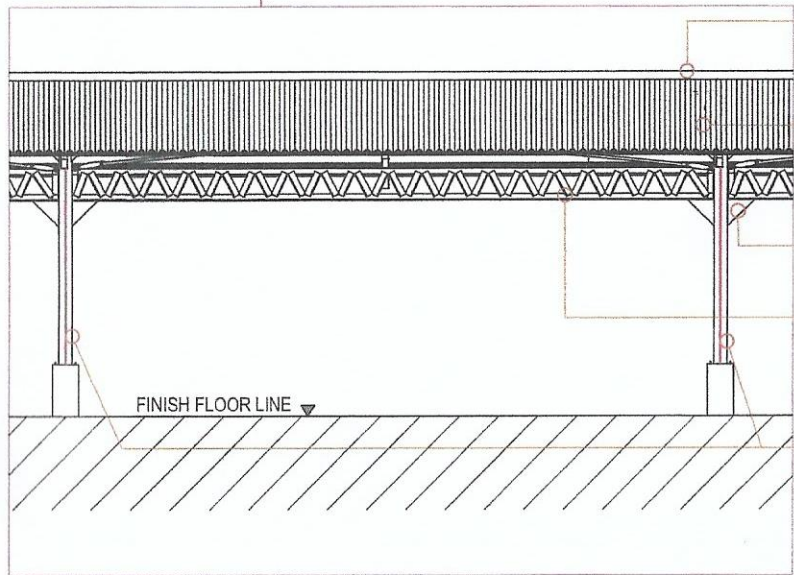
PROJECT TITLE:	PREPARED BY:	CHECKED BY:	REVIEWED BY:	RECOMMENDING FOR APPROVAL BY:	APPROVED BY:	Contents:	SHEET NO.
RELOCATION OF PIPE STOCKYARD	JONER C. GUILLERO, CE	DANKO M. HORLADOR, CE	MARIA CELIA N. DANDAN, CE	CORNELIO T. TORIJA, JR. CE	ROGENIO A. BESANA, JR. CE./RMP	AS SHOWN	1
PURDOK UDAGRI, BRGY. CONEL, GENERAL SANTOS CITY	ENGINEERING ASSISTANT	PROJECT PLANNING & DEVT OFFICER A	ACTING DEPT. MANAGER - ECD	ACTING ASST. GENERAL MANAGER - OTS	ACTING GENERAL MANAGER	REVISION:	3
						DATE: 05/31/2023	



FRONT ELEVATION PLAN (EXISTING STRUCTURE)

SCALE:

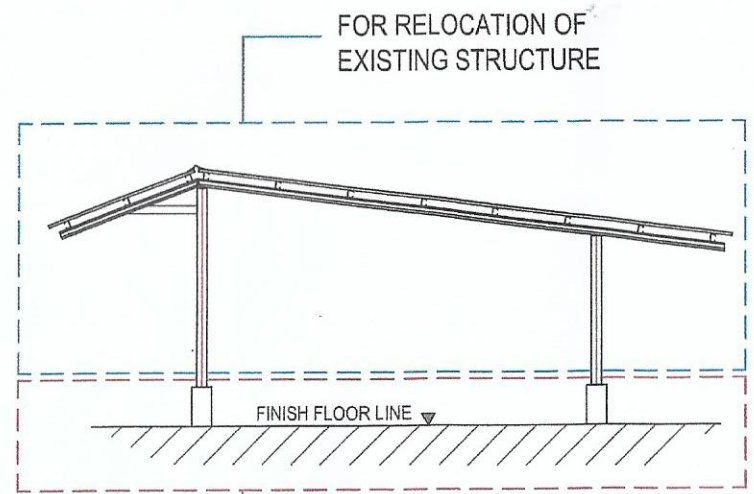
8.5 : 1 M



BLOW UP DETAILS

SCALE:


19 : 1 M



RIGHT SIDE ELEVATION (EXISTING STRUCTURE)

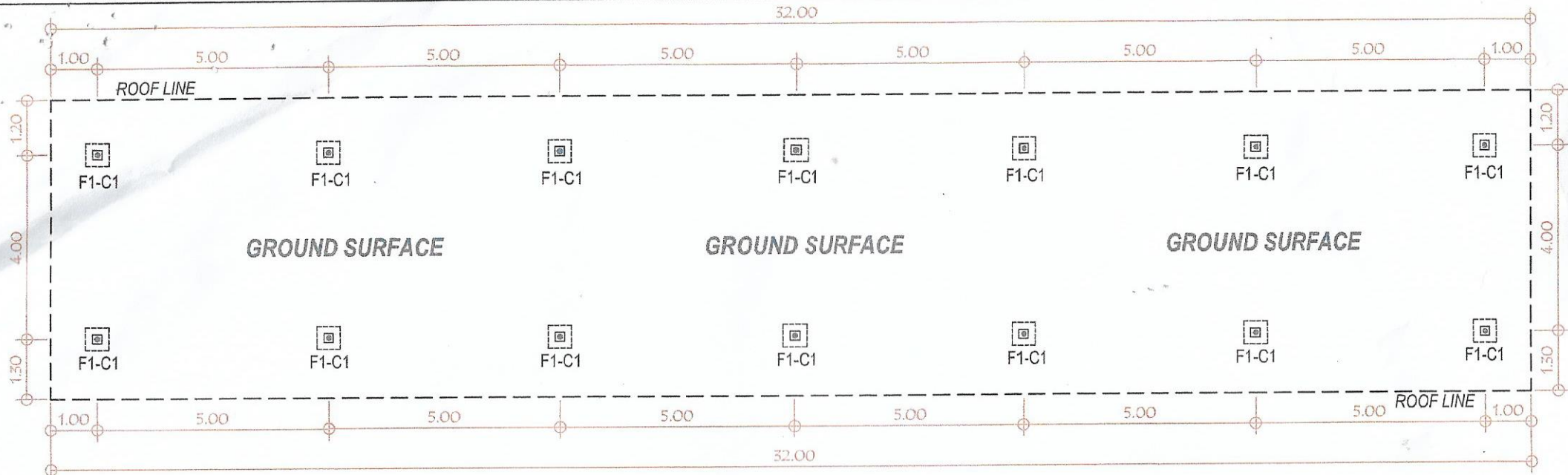
SCALE:

14 : 1 M

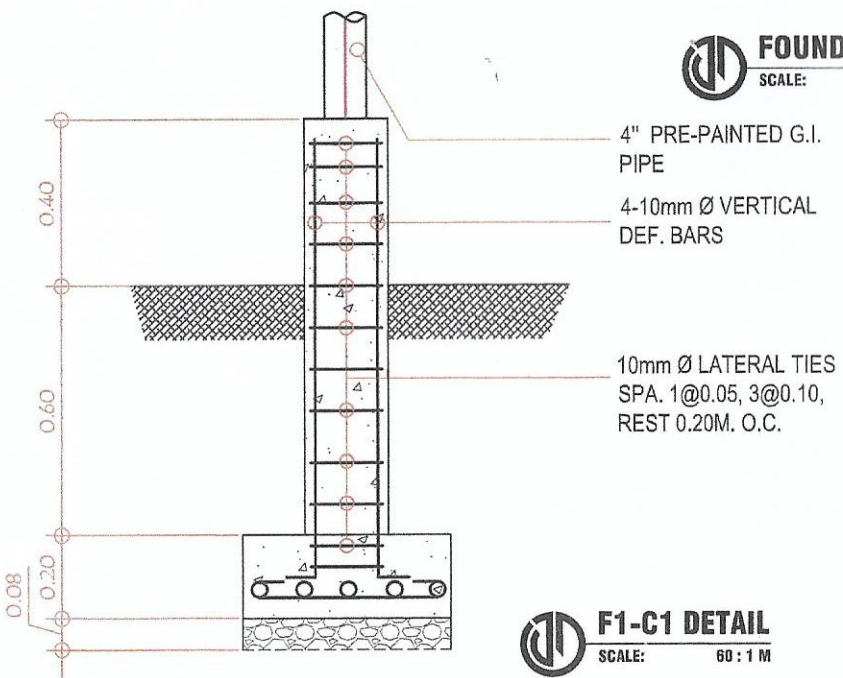


GENERAL SANTOS CITY WATER DISTRICT
 6, FRANCISCO STREET, BLDG. 14000, GENERAL SANTOS CITY
 ENGINEERING & CONSTRUCTION DEPARTMENT
 PLANNING AND DESIGN DIVISION
 TEL. NO. (083) 832-3826

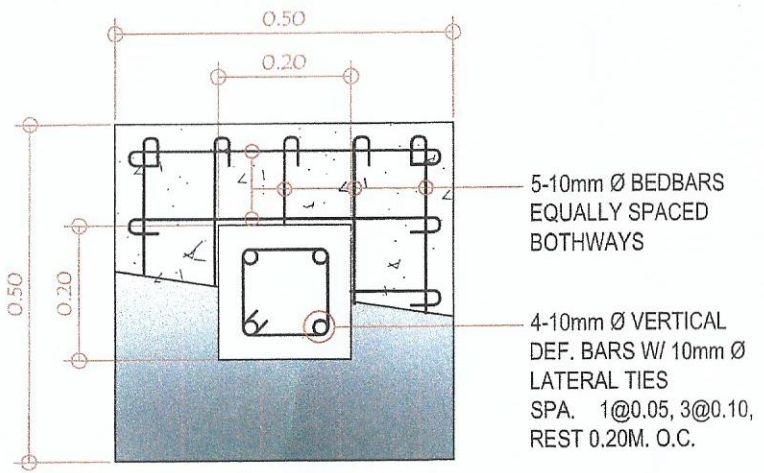
PROJECT TITLE:	PREPARED BY:	CHECKED BY:	REVIEWED BY:	RECOMMENDING FOR APPROVAL BY:	APPROVED BY:	Contents:	SHEET NO.
RELOCATION OF PIPE STOCKYARD	JONER C. GUILLERO, CE	DANLO M. HORLADOR, CE	MARIA CELIA N. DANDAN, CE	CORNELIO T. TURIJA, JR. CE	ROGELIO A. BESANA, JR. CE / RMP	AS SHOWN	2
PURCK UDAGRI. BRGY. CONEL, GENERAL SANTOS CITY	ENGINEERING ASSISTANT	PROJECT PLANNING & DEV'T OFFICER A	ACTING DEPT. MANAGER - EGD	ACTING ASST. GENERAL MANAGER - OTS	ACTING GENERAL MANAGER	REVISION:	3
						DATE: 09/05/2023	



FOUNDATION PLAN
SCALE: 9 : 1 M



F1-C1 DETAIL
SCALE: 60 : 1 M



F1-C1 DETAIL
SCALE: 96 : 1 M

PROJECT TITLE:	PREPARED BY:	CHECKED BY:	REVIEWED BY:	RECOMMENDING FOR APPROVAL BY:	APPROVED BY:	Contents:	SHEET NO.
RELOCATION OF PIPE STOCKYARD	IGNER C. GUILLERO, CE ENGINEERING ASSISTANT	DANLO M. HORLADOR, CE PROJECT PLANNING & DEV'T OFFICER A	MARIA FELIA N. DANDAM, CE ACTING DEPT. MANAGER - ECD	BORNELO T. THRIJA, JR. CE ACTING ASST. GENERAL MANAGER - OTS	ROGERIO A. BESANA, JR. CE, RMP ACTING GENERAL MANAGER	AS SHOWN	3
						DATE: 06/03/2023	3