



Republic of the Philippines
GENERAL SANTOS CITY WATER DISTRICT
E. Fernandez Street, Barangay Lagao General Santos
Telephone No.: 552-3824; Telefax No.: 553-4960
Email Address: gscwdprocurement@yahoo.com

GPM-014-4

REQUEST FOR QUOTATION

RFQ #: 3-0124-011 DATE: 1/4/2024

SUPPLIER: _____
ADDRESS: _____
TELEPHONE NO. : _____
TIN NO. : _____

Dear Sir/Madam,

Pls. quote your lowest price on the item/s listed below subject to general condition stating the shortest time of delivery and submit your quotation duly signed by your representative not later than 1/8/2024, Pls. furnish this office the following articles subject to the terms and conditions contained therein.

Instructions :

1. Accomplish this Request for Quotation duly, correctly, and completely.
2. Do not alter the contents of this form in any way.
3. If Technical Specifications/ Terms of Reference is provided, prospect bidder (supplier / service provider) must indicate and signify compliance to every parameter in the specification.

ITEM NO.	DESCRIPTION	QTY.	UNIT	UNIT PRICE
1	STAINLESS STEEL FLOATING BALL VALVE 4` FLANGE TYPE CLASS 150 : WITH BRASS FLOATER-ABC: PHP 120,000.00 ##### nothing follows #####	1	pc	P

Date of Delivery: _____
Price Validity : _____
Mode of Payment: _____

Place of Delivery: GSCWD Bodega

****No partial delivery allowed****

Note: 6% WITHHOLDING TAX DEDUCTION

PR NO.: 1123-029

Requested by:

GESEM R. CABAÑERO
Supervising Material
Planning Officer

Price quoted by:

Supplier

Date

BALL FLOAT VALVE, PN16

With stainless steel lever and stainless steel float, DN100

The ball float valves designed to be fitted in the top of a tank or reservoir to automatically control the rate of filling and shut off completely when a predetermined level is reached. The balanced equilibrium design makes sure that operation is smooth and reliable.

Product description:

Balanced equilibrium float valve for water and other neutral liquids to max. 70°C. Maximum Working Pressure: 16 bar.

Standards:

- Standard flange drilling to EN1092-2 (ISO 7005-2), PN16

Test/Approvals:

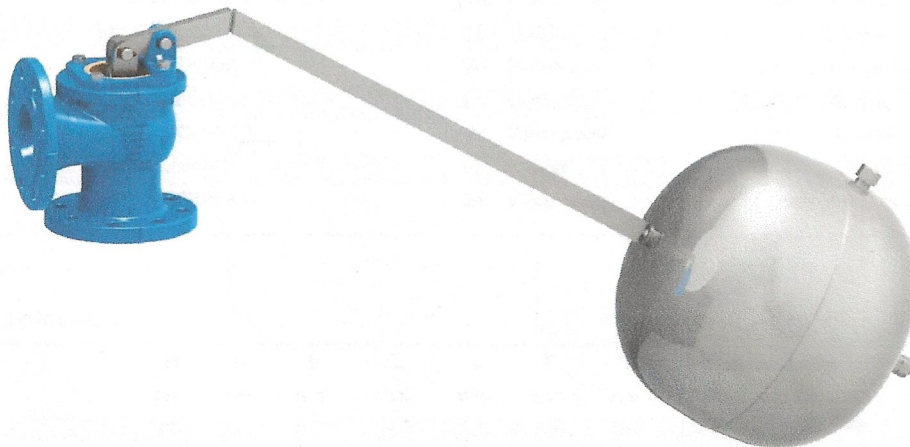
- Seat: 1.1 x PN. Body: 1.5 x PN.
- Belgaqua approved

Features:

- Right angled design.
- Long actuating lever for slow closure.
- Flanged outlet for fitting of downpipe.
- Drop tight shut off.
- Fully removeable bronze cylinder.
- Easily maintained.
- Float in control of valve at all positions of travel.
- Face and piston seals easily replaceable.
- Float position adjustable in horizontal plane.

Accessories:

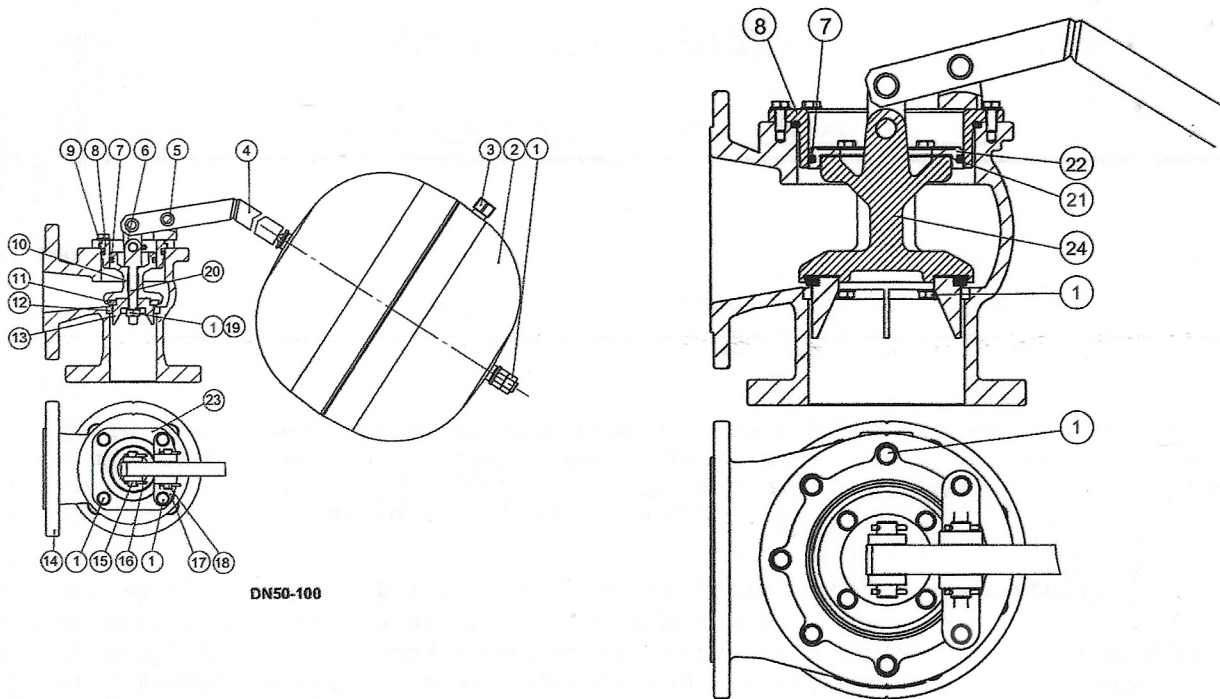
Alternative flange drillings, Vertical float rod arrangement



LOREVIN V. EVANGELIC, RMEE
WUDO A
Production Unit

ALL FLOAT VALVE, PN16

With stainless steel lever and stainless steel float, DN100



DN50-100

Component list:

1. Bolt/nut	Stainless steel A2	13. Valve guide	Bronze CC499K
2. Float	Stainless steel 1.4401	14. Body	Ductile iron GJS-500-7 (GGG-50)
3. Filler cap	Stainless steel 1.4401	15. Hinge pin	Stainless steel 1.4301
4. Float lever	Stainless steel 1.4401	16. Split pin	Stainless steel A4
5. Bearing	Bronze	17. Fulcrum bracket	Ductile iron GJS-500-7 (GGG-50)
6. Link	Steel, hot dip galvanized	18. Fulcrum pin	Stainless steel 1.4301
7. Lip ring ⁽¹⁾	EPDM rubber	19. Washer	Stainless steel A4
8. Cylinder ⁽²⁾	Bronze CC499K	20. Piston bolt	Stainless steel 1.4305
9. O-ring	EPDM rubber	21. O-ring	EPDM rubber
10. Valve centre	Bronze CC499K	22. Valve piston	Bronze CC499K
11. Seal ring	EPDM rubber	23. Flange	Carbon steel
12. Seat ring	Bronze CC499K	24. Valve centre	Ductile iron GJS-500-7 (GGG-50)

Reference nos. and dimensions:

Ref. no.	DN	A	B	C	D	E	G	Max recommended discharge l/sec	Theoretical weight/kg	GWP
	mm	mm	mm	mm	mm	mm	mm			
	100	140	160	1000	380	330	240	25	40	

The designs, materials and specifications shown are subject to change without notice. This is due to the continuous development of our product programme.