



Republic of the Philippines
GENERAL SANTOS CITY WATER DISTRICT
 E. Fernandez Street, Barangay Lagao General Santos
 Telephone No.: 552-3824; Telefax No.: 553-4960
 Email Address: gscwdprocurement@yahoo.com

GPM-014-4

REQUEST FOR QUOTATION

RFQ #: 3-0124-046 DATE: 1/10/2024

SUPPLIER: _____
 ADDRESS: _____
 TELEPHONE NO. : _____
 TIN NO. : _____

Dear Sir/Madam,

Pls. quote your lowest price on the item/s listed below subject to general condition stating the shortest time of delivery and submit your quotation duly signed by your representative not later than 1/14/2024, Pls. furnish this office the following articles subject to the terms and conditions contained therein.

Instructions :

1. Accomplish this Request for Quotation duly, correctly, and completely.
2. Do not alter the contents of this form in any way.
3. If Technical Specifications/ Terms of Reference is provided, prospect bidder (supplier / service provider) must indicate and signify compliance to every parameter in the specification.

ITEM NO.	DESCRIPTION	QTY.	UNIT	UNIT PRICE
1	STEEL FLANGE 200MM : 12 HOLES; PLEASE SEE ATTACHED SPECIFICATIONS-ABC: PHP 60,000.00 ##### nothing follows #####	10	pcs.	P

Date of Delivery: _____
 Price Validity : _____
 Mode of Payment: _____

Place of Delivery: GSCWD Bodega

****No partial delivery allowed****

Note: 6% WITHHOLDING TAX DEDUCTION

PR NO.: 1223-030

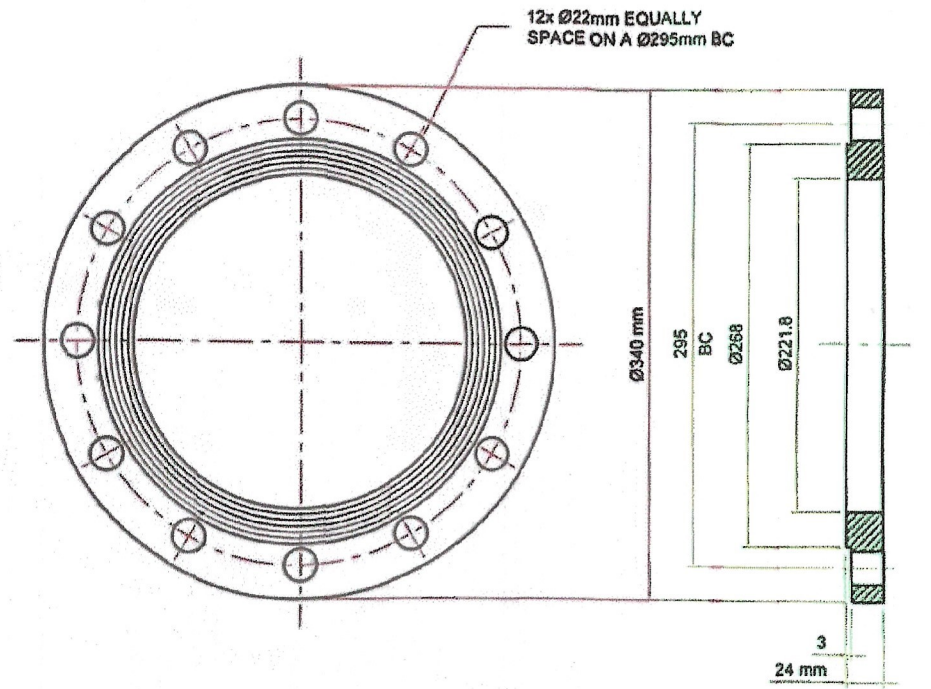
Requested by: _____

GESEM R. CABAÑERO
 Supervising Material
 Planning Officer

Price quoted by:

 Supplier

 Date



PLAN

SECTION

GSC WATER DISTRICT
 ENGINEERING & CONSTRUCTION DEPT.
 E. FERNANDEZ ST., LAGAO, GSC
 TEL. NO. 301 - 2835

MATERIALS DESCRIPTION:	PREPARED BY:	CHECKED BY:	RECOMMENDING APPROVAL:	APPROVED BY:	CONTENT:	SHEET NO.:
SHOP DRAWING OF 200mm Ø STEEL FLANGE (8"/DN200)	KEY R. ARORA	ENGR. MICHAEL GABALES	ENGR. ROGELIO A. BESANA, JR.	ENGR. ARN B. GELLANGARIN	AS SHOWN	1/1
	ENGINEERING AIDE	MANAGER A - PD	MANAGER A - ECD	GENERAL MANAGER	CHECKED: DATE June 2017	