



Republic of the Philippines  
**GENERAL SANTOS CITY WATER DISTRICT**  
 E. Fernandez Street, Barangay Lagao General Santos  
 Telephone No.: 552-3824; Telefax No.: 553-4960  
 Email Address: gscwdprocurement@yahoo.com

GPM-014-4

**REQUEST FOR QUOTATION**

RFQ #: 3-0124-154      DATE: 1/31/2024

SUPPLIER: \_\_\_\_\_  
 ADDRESS: \_\_\_\_\_  
 TELEPHONE NO. : \_\_\_\_\_  
 TIN NO. : \_\_\_\_\_

Dear Sir/Madam,

Pls. quote your lowest price on the item/s listed below subject to general condition stating the shortest time of delivery and submit your quotation duly signed by your representative not later than 2/4/2024, Pls. furnish this office the following articles subject to the terms and conditions contained therein.

Instructions :

1. Accomplish this Request for Quotation duly, correctly, and completely.
2. Do not alter the contents of this form in any way.
3. If Technical Specifications/ Terms of Reference is provided, prospect bidder (supplier /service provider) must indicate and signify compliance to every parameter in the specification.

ITEM NO.	DESCRIPTION	QTY.	UNIT	UNIT PRICE
1	D.I. SWING CHECK VALVE 200MM(8``) : PLEASE SEE ATTACHED SPECIFICATION-ABC: PHP 138,000.00 ##### nothing follows #####	2	<ignor	P

Date of Delivery: \_\_\_\_\_  
 Price Validity : \_\_\_\_\_  
 Mode of Payment: \_\_\_\_\_

Place of Delivery: GSCWD Bodega  
 \*\*\*\*\*No partial delivery allowed\*\*\*\*  
 Note: 6% WITHHOLDING TAX DEDUCTION  
 PR NO.: 0124-053

Requested by:

ANDREW H. NADAL, JR.  
 Material Procurement Officer A

Price quoted by:

\_\_\_\_\_  
 Supplier

\_\_\_\_\_  
 Date



## TECHNICAL SPECIFICATION

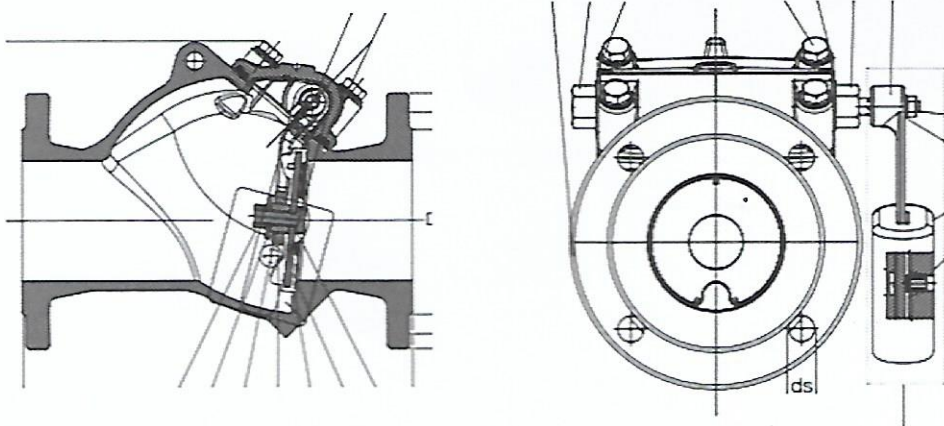
**TITLE: PURCHASE OF DI SWING CHECK VALVE**

### 1.0 SCOPE OF CONTRACT

The scope shall be supply and delivery of two (2) set brand new **DI Swing Check Valve** to General Santos City Water District (GSCWD).

Particulars	Requirements	Statement of Compliance
<b>Size mm (inches)</b>	<b>200 (8)</b>	
<b>Body</b>	<b>Ductile Iron</b>	
<b>Shaft</b>	<b>Stainless Steel</b>	
<b>Gasket</b>	<b>EPDM Rubber</b>	
<b>Bolt, Washer , Pin</b>	<b>Stainless Steel</b>	
<b>Metal Seated Disc</b>	<b>EPDM Rubber with Steel Insert</b>	
<b>Seat Ring</b>	<b>Dezincification Resistant Brass</b>	
<b>Lever</b>	<b>Steel</b>	
<b>Bore</b>	<b>Full Bore</b>	
<b>Working Temperature</b>	<b>70°C</b>	
<b>Pressure Nominale</b>	<b>PN16</b>	
<b>Flange No. of Holes</b>	<b>12</b>	

### 2.0 Drawing





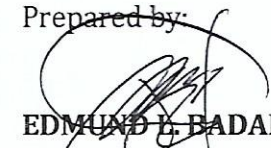


Republic of the Philippines  
GENERAL SANTOS CITY WATER DISTRICT (GSCWD)  
GSCWD Bldg., E. Fernandez Street, Lagao, General Santos City  
Telephone No.: 552-3824/554-7231; Telefax No.: 553-4960  
E-mail Address: gscwaterdistrict@yahoo.com

## TERMS AND CONDITIONS

1. The scope of work shall be supply and delivery **two (2) set brand new DI Swing Check Valve** to General Santos City Water District (GSCWD).
2. All bidder is required to submit and include documents but not limited to **manuals, data sheets, and Manufacturers Authorization Certificate specific to this project** in there bidding documents.
3. The winning bidder shall deliver the one (1) set **brand new DI Swing Check Valve**, within **thirty (30)** calendar days upon receipt of Purchase Order (PO).
4. The winning bidder shall be subjected to Liquidated Damages (LD) for each day of delay as provided by the IRR of RA 9184.
5. That the winning bidder shall issue a warranty certificate of not less than one (1) year and the warranty shall commence from the date of commissioning of the pumping equipment.

Prepared by:

  
**EDMUND E. BADAL, REE**  
TWG - Member

  
**MICHAEL G. GABALES, REE**  
TWG - HEAD

