



Republic of the Philippines
GENERAL SANTOS CITY WATER DISTRICT
E. Fernandez Street, Barangay Lagao General Santos
Telephone No.: 552-3824; Telefax No.: 553-4960
Email Address: gscwdprocurement@yahoo.com

GPM-014-2

REQUEST FOR QUOTATION

RFQ #: 3-0222-029 DATE: 03/09/2022

SUPPLIER: _____
ADDRESS: _____
TELEPHONE NO. : _____
TIN NO. : _____

Dear Sir/Madam,


Pls. quote your lowest price on the item/s listed below subject to general condition stating the shortest time of delivery and submit your quotation duly signed by your representative not later than 03/15/2022, Pls. furnish this office the following articles subject to the terms and conditions contained therein.

| ITEM NO. | DESCRIPTION | QTY. | UNIT | UNIT PRICE |
|----------|--|------|------|------------|
| 1 | EPOXY COATED SPIRAL WELDED STEEL PIPE/200MM DIA X 6M : ABC: PHP 201,000.00 ##### nothing follows ##### | 3 | pc | P |

Date of Delivery: _____
Price Validity : _____
Terms of Payment: _____

Place of Delivery: GSCWD Bodega
*****No partial delivery allowed****
Note: 6% WITHHOLDING TAX DEDUCTION
PR NO.: 0222-033

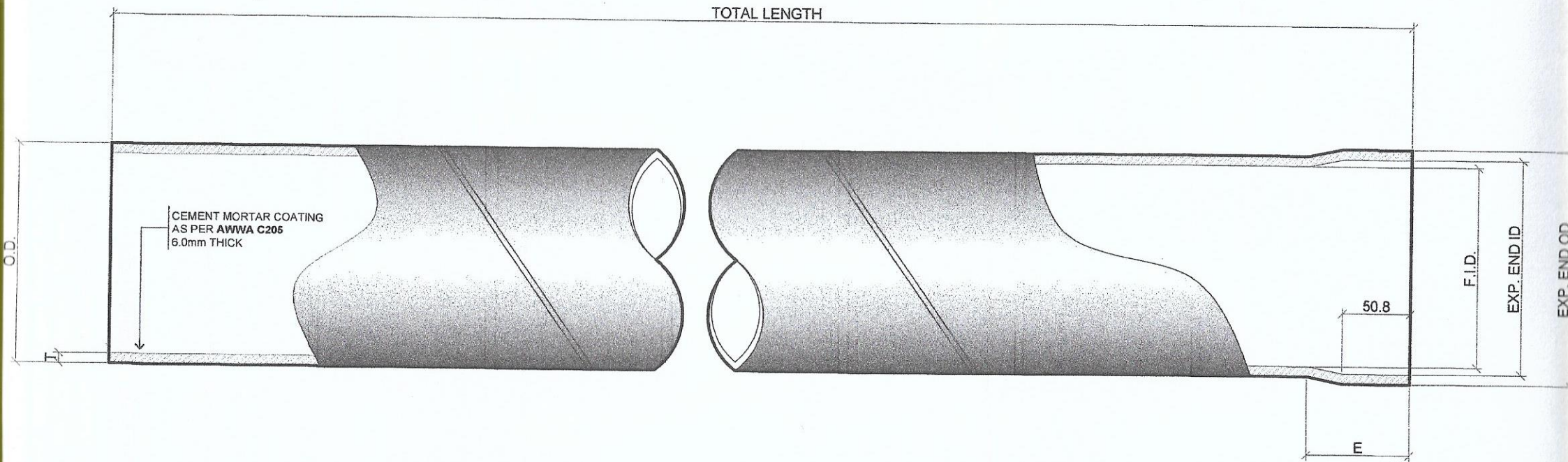
Requested by:


GESEM R. CABAÑERO
MATERIAL PROCUREMENT
OFFICER A

Price quoted by:

Supplier

Date



EPOXY COATED AND EPOXY LINED SPIRAL WELDED STEEL PIPES

| DIAMETER | | | MIN. WALL THICKNESS T (mm) | EXPANDED END | | | EFFECTIVE PIPE LENGTH |
|----------|--------|--------|-------------------------------|--------------|--------|-------|-----------------------|
| ND | OD | F I D | | EE-ID | EE-OD | E | |
| 200 | 212.70 | 200.00 | 6.35 | 217.50 | 230.20 | 76.20 | 6000 |
| | | | | | | | |

NOTE:
ALL UNITS ARE IN MILLIMETERS

GENERAL SANTOS CITY WATER DISTRICT
E. FERNANDEZ STREET, BRGY. LAGA, GEN. SANTOS CITY
ENGINEERING & CONSTRUCTION DEPARTMENT
PLANNING AND DESIGN DIVISION
TEL. NO.: (083) 552 - 3824

PROJECT TITLE / LOCATION:
PURCHASE OF EPOXY COATED AND EPOXY LINED SPIRAL WELDED STEEL PIPES

CHECKED BY:
[Signature]
ENGR. MARIA CELIA N. DANDAN
OIC - Planning & Design Division

REVIEWED BY:
[Signature]
ENGR. ROGELIO A. BESANA, JR.
AGM - Operations & Technical Services

APPROVED BY:
[Signature]
ENGR. ARN B. GELLANGARIN
General Manager A

CONTENT:
AS SHOWN
DRAWN: ESDA
CHECKED: MCND
REVISION:
DATE: 02 / 22 / 2022

SHEET NO.
1