



Republic of the Philippines  
**GENERAL SANTOS CITY WATER DISTRICT**  
 E. Fernandez Street, Barangay Lagao General Santos  
 Telephone No.: 552-3824; Telefax No.: 553-4960  
 Email Address: gscwdprocurement@yahoo.com

GPM-014-3

**REQUEST FOR QUOTATION**

REQ #: 3-0223-009      DATE: 02/01/2023

SUPPLIER: \_\_\_\_\_  
 ADDRESS: \_\_\_\_\_  
 TELEPHONE NO. : \_\_\_\_\_  
 TIN NO. : \_\_\_\_\_

Dear Sir/Madam,

Pls. quote your lowest price on the item/s listed below subject to general condition stating the shortest time of delivery and submit your quotation duly signed by your representative not later than 02/07/2023, Pls. furnish this office the following articles subject to the terms and conditions contained therein.

ITEM NO.	DESCRIPTION	QTY.	UNIT	UNIT PRICE
1	STEEL FLANGE 150MM : FABRTICATION; PLEASE SEE ATTACHED SHOP DRAWING-ABC: PHP 100,000.00	20	pcs.	P
2	STEEL FLANGE 200MM : FABRTICATION; PLEASE SEE ATTACHED SHOP DRAWING-ABC: PHP 130,000.00 ##### nothing follows #####	20	pcs.	P

Delivery term: \_\_\_\_\_  
 Price Validity : \_\_\_\_\_  
 Terms of Payment: \_\_\_\_\_

Place of Delivery: GSCWD Bodega

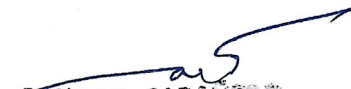
\*\*\*\*\*No partial delivery allowed\*\*\*\*

Note: 6% WITHHOLDING TAX DEDUCTION

PR NO.: 0123-088

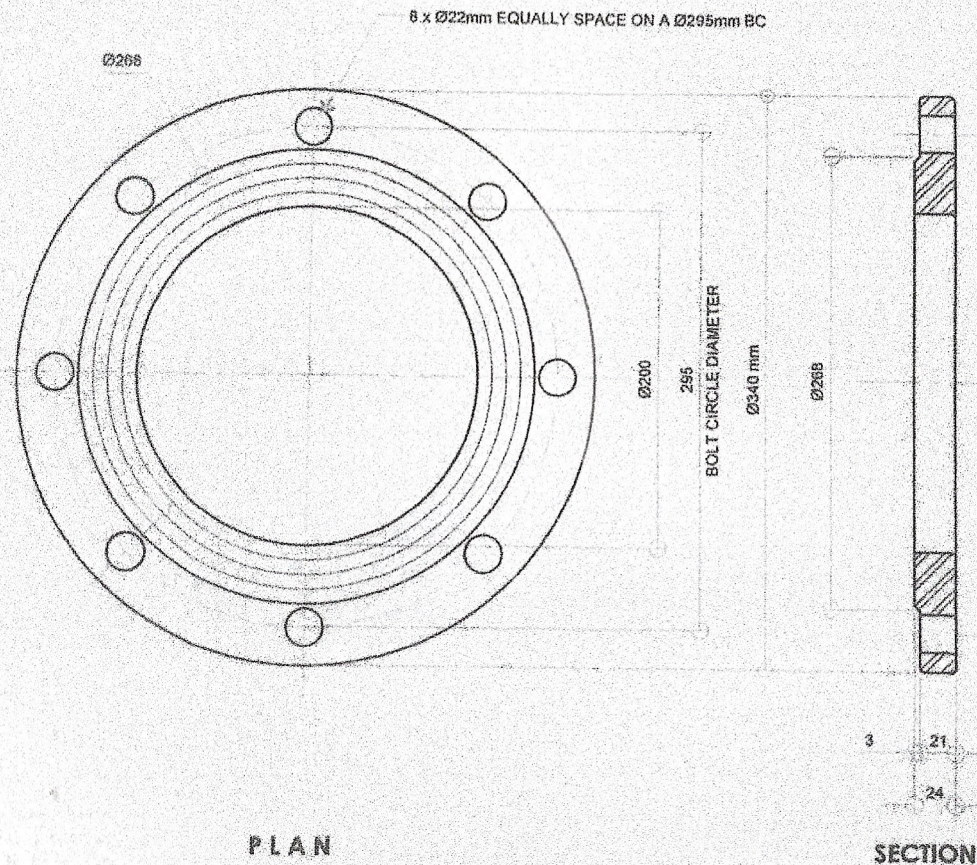
Requested by:

Price quoted by:

  
**GESEM R. CABANERO**  
 MATERIAL PROCUREMENT  
 OFFICER A

\_\_\_\_\_  
 Supplier

\_\_\_\_\_  
 Date



**GENERAL SANTOS CITY WATER DISTRICT**  
 ENGINEERING & CONSTRUCTION DEPARTMENT  
 PLANNING AND DESIGN DIVISION  
 \*ERRAZURUZ STREET, DRAY, LAGAO, GEN. SANTOS CITY  
 TEL. NO.: (083) 552 - 3024

DESCRIPTION  
**SHOP DRAWING OF 200mm(8")Ø  
 STEEL FLANGE**

CHECKED BY  
  
 ENGR. MICHAEL S. GABALES  
 MANAGER A - PDD

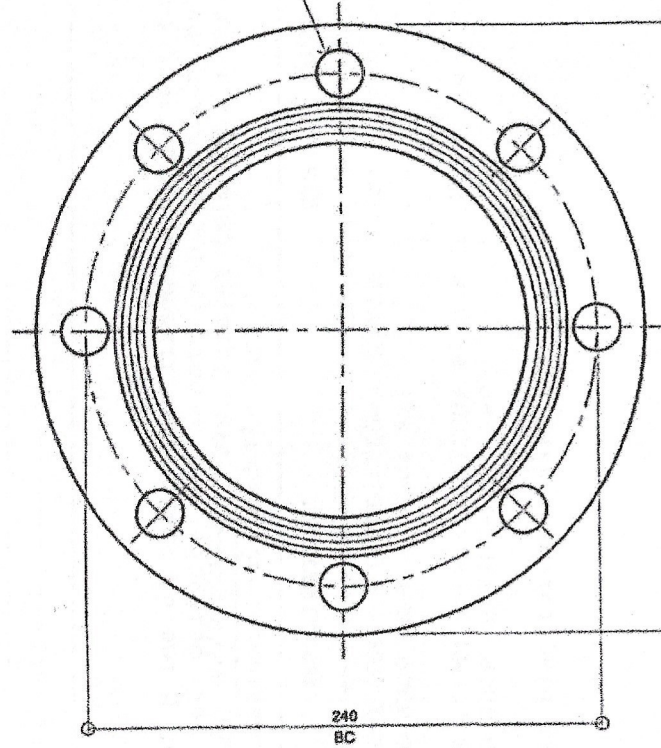
REVIEWED BY  
  
 ENGR. ROGELIO A. BESANA, JR.  
 MANAGER A - ECD

APPROVED BY  
  
 ENGR. ARN B. GELLANGARIN  
 GENERAL MANAGER A

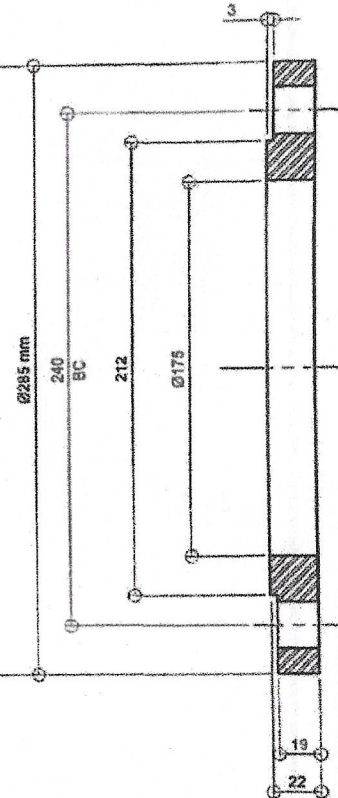
CONTENT  
**AS SHOWN**  
 DRAWN: RRA  
 REVISION:  
 CHECKED: MCG  
 DATE: Mar. 2020

SHEET NO.  
 1  
 1

8 x Ø22mm EQUALLY SPACE ON A Ø240mm BC



PLAN



SECTION



**GENERAL SANTOS CITY WATER DISTRICT**  
 ENGINEERING & CONSTRUCTION DEPARTMENT  
 PLANNING AND DESIGN DIVISION  
 C. FERRANDEZ STREET, BRGY. LAMAD, GEN. SANTOS CITY  
 TEL. NO.: (092) 832 - 3028

DESCRIPTION	CHECKED BY:			REVIEWED BY:			APPROVED BY:			CONTENT:	SHEET NO.:	
	ENGR. MICHAEL G. GABALES MANAGER - PDD			ENGR. ROGELIO A. BESANA, JR. MANAGER A - ECD			ENGR. ARN B. GELLANGARIN GENERAL MANAGER			AS SHOWN	1	
SHOP DRAWING OF 150mm(6")Ø REVISED STEEL FLANGE										DRAWN: RRA	REVISION: 01	1
										DRAWN: MGG	DATE: April 2019	