



Republic of the Philippines
GENERAL SANTOS CITY WATER DISTRICT
E. Fernandez Street, Barangay Lagao General Santos
Telephone No.: 552-3824; Telefax No.: 553-4960
Email Address: gscwdprocurement@yahoo.com

GPM-014-2

REQUEST FOR QUOTATION

RFQ #: 3-0322-025 DATE: 03/29/2022

SUPPLIER: _____
ADDRESS: _____
TELEPHONE NO. : _____
TIN NO. : _____

Dear Sir/Madam,

Pls. quote your lowest price on the item/s listed below subject to general condition stating the shortest time of delivery and submit your quotation duly signed by your representative not later than 04/04/2022, Pls. furnish this office the following articles subject to the terms and conditions contained therein.

ITEM NO.	DESCRIPTION	QTY.	UNIT	UNIT PRICE
1	STEEL FLANGE 75MM : PLEASE SEE ATTACHED SHOP DRAWING-FABRICATION OF STEEL FLANGE; ABC: PHP 70,000.00 ##### nothing follows #####	30	pcs.	P

Date of Delivery: _____
Price Validity : _____
Terms of Payment: _____

Place of Delivery: GSCWD Bodega

*****No partial delivery allowed****

Note: 6% WITHHOLDING TAX DEDUCTION

PR NO.: 0222-056

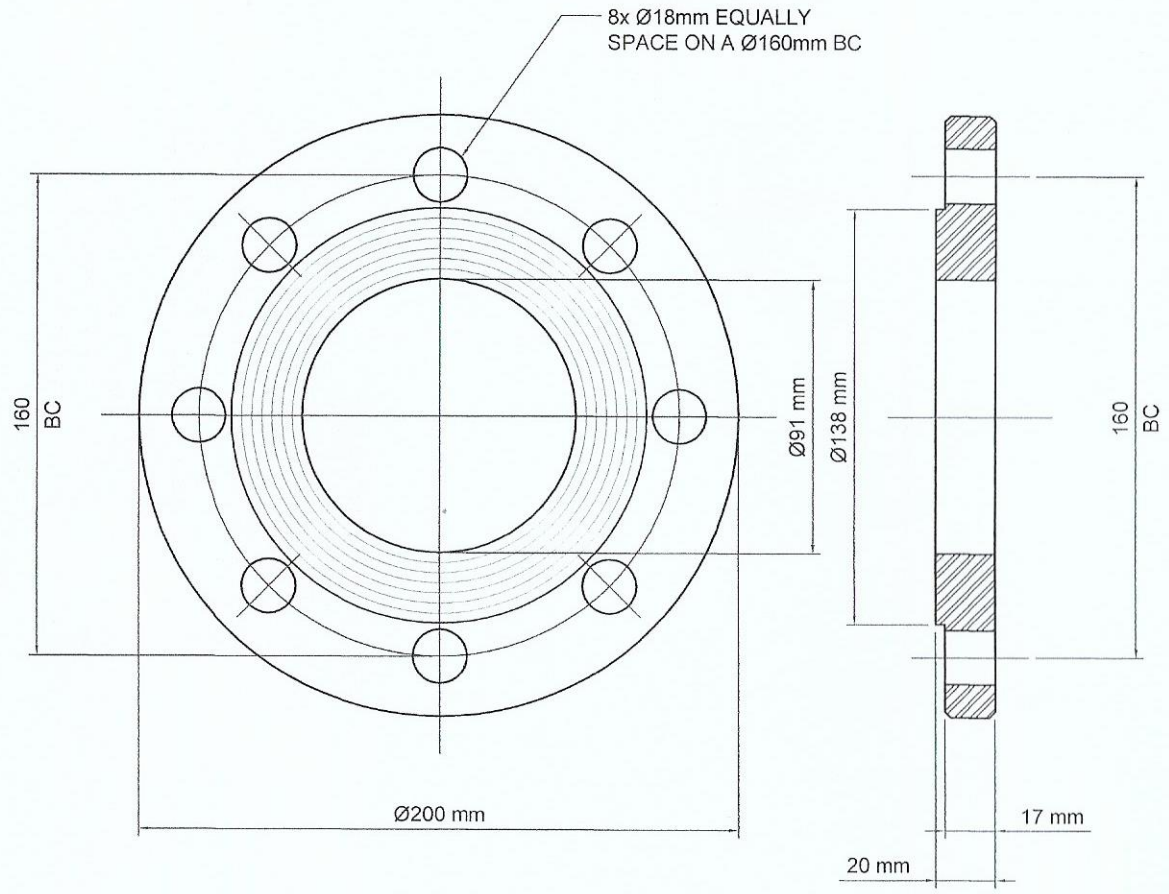
Requested by:

GESEM R. CABAÑERO
MATERIAL PROCUREMENT
OFFICER A

Price quoted by:

Supplier

Date



PLAN

SECTION

GENERAL SANTOS CITY WATER DISTRICT
 E. FERNANDEZ STREET, BRGY. LAGAO, GEN. SANTOS CITY
 ENGINEERING & CONSTRUCTION DEPARTMENT
 PLANNING AND DESIGN DIVISION
 TEL. NO.: (083) 552 - 3824

MATERIALS DESCRIPTION:	PREPARED BY:	CHECKED BY:	RECOMMENDING APPROVAL:	APPROVED BY:	CONTENT:	SHEET NO.:
SHOP DRAWING OF 75mmØ STEEL FLANGE					AS SHOWN	1/1
	REY R. ANORA ENGINEERING AIDE A	ENGR. MA. CELIA N. DANDAN D/C - PDD	ENGR. ROGELIO A. BESANA, JR. AGM - Operation and Technical Services	ENGR. ARN B. GELLANGARIN GENERAL MANAGER A	DRAWN: RRA CHECKED: REVISION: DATE: 03/07/2022	