



Republic of the Philippines
GENERAL SANTOS CITY WATER DISTRICT
E. Fernandez Street, Barangay Lagao General Santos
Telephone No.: 552-3824; Telefax No.: 553-4960
Email Address: gscwdprocurement@yahoo.com

GPM-014-2

REQUEST FOR QUOTATION

RFQ #: 3-0322-077 DATE: 03/15/2022

SUPPLIER: _____
ADDRESS: _____
TELEPHONE NO. : _____
TIN NO. : _____

Dear Sir/Madam,

Pls. quote your lowest price on the item/s listed below subject to general condition stating the shortest time of delivery and submit your quotation duly signed by your representative not later than 03/21/2022, Pls. furnish this office the following articles subject to the terms and conditions contained therein.

ITEM NO.	DESCRIPTION	QTY.	UNIT	UNIT PRICE
1	LABOR & MATERIALS* : PLEASE SEE ACTUAL DAMAGES-ABC: PHP 103,819.64 ##### nothing follows #####	1	LOT	P

Date of Delivery: _____
Price Validity : _____
Terms of Payment: _____

Place of Delivery: GSCWD Bodega

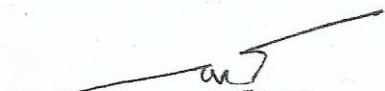
****No partial delivery allowed****

Note: 6% WITHHOLDING TAX DEDUCTION

PR NO.: 0222-069

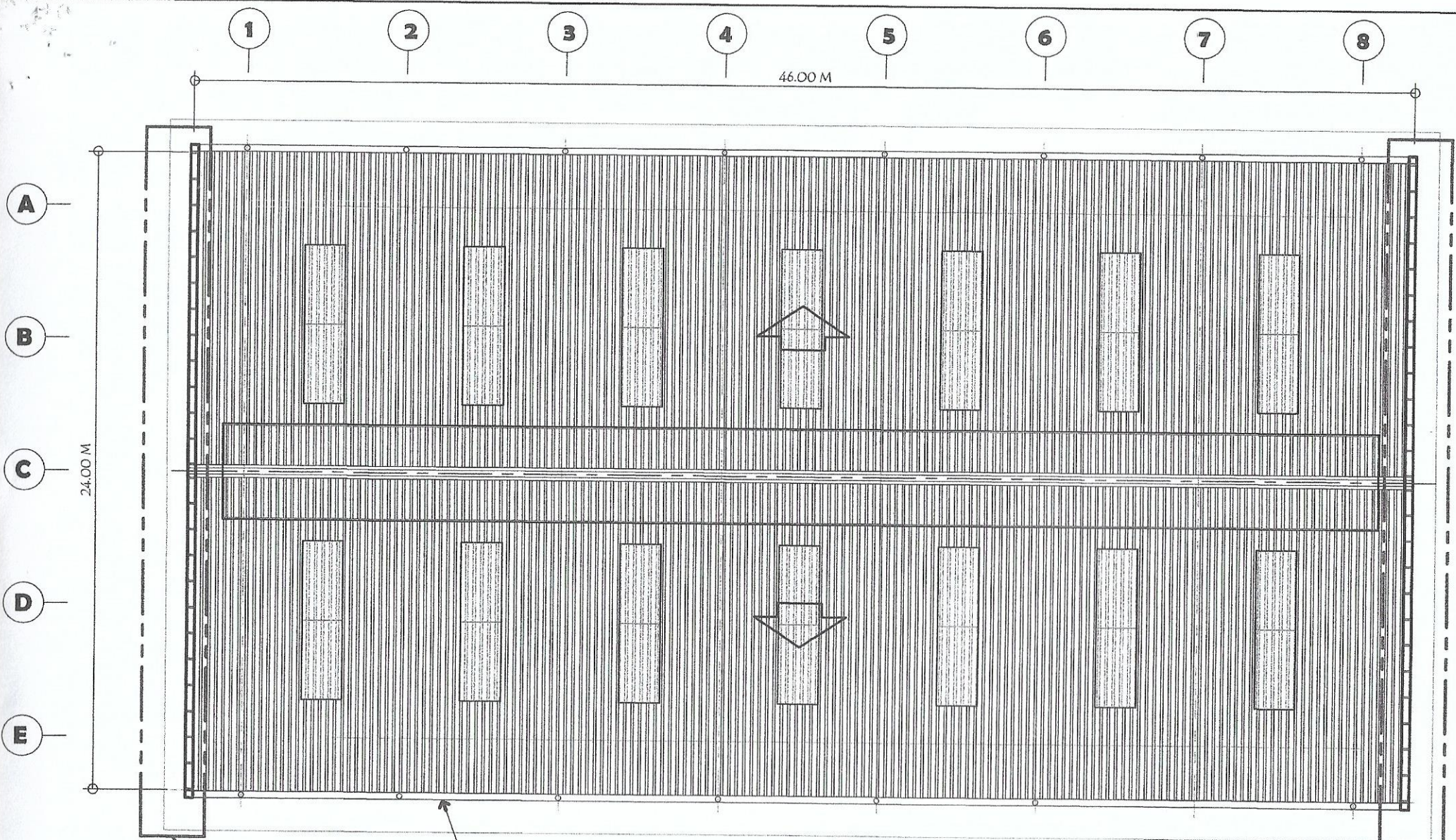
Requested by:

Price quoted by:


GESEM R. CABAÑERO
MATERIAL PROCUREMENT
OFFICER A

Supplier

Date



PRE-FORMED G.I. END FLASHING (SEE DETAILS)

0.60mm thk. PREFORMED, PRE-PAINTED G.I. GUTTER

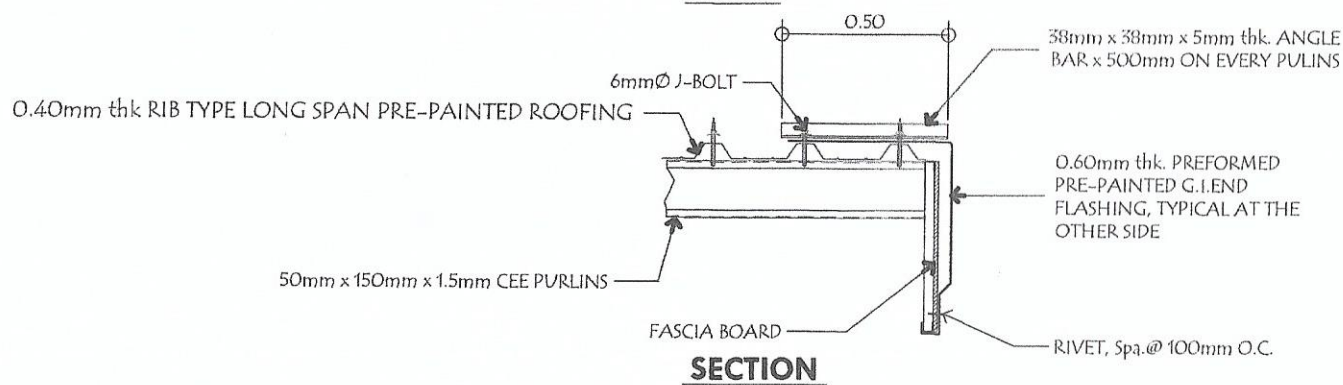
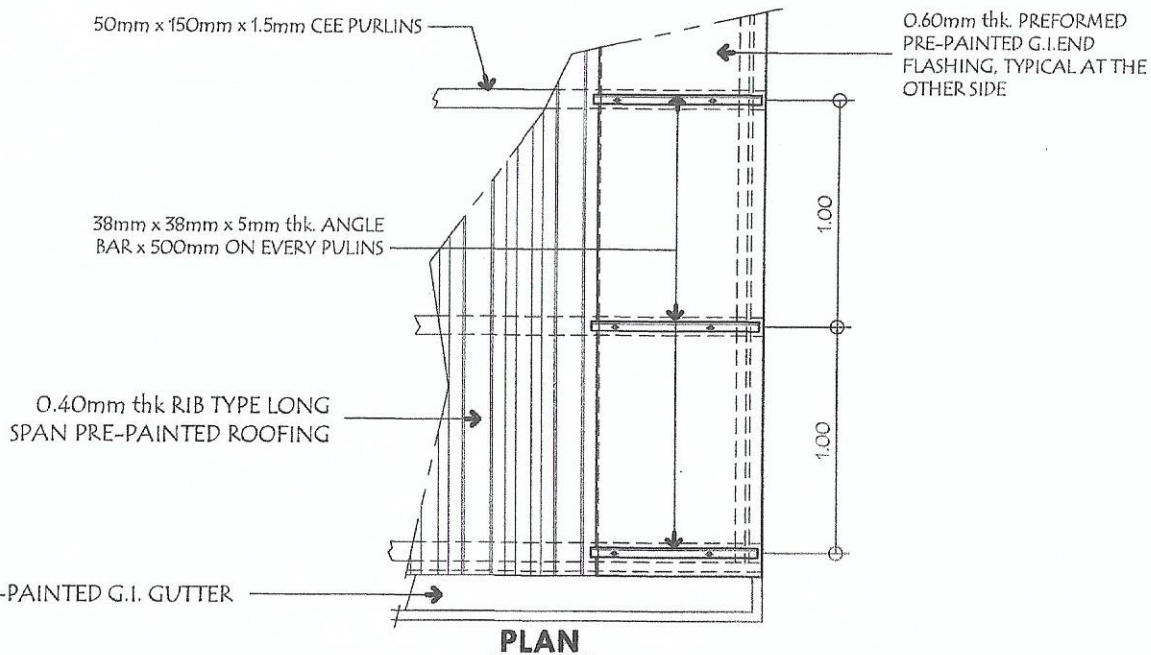
PRE-FORMED G.I. END FLASHING (SEE DETAILS)

Of ROOF PLAN
A-07 SCALE: 1:200 M



GENERAL SANTOS CITY WATER DISTRICT
E. FERNANDEZ STREET, BRGY. LAGAO, GEN. SANTOS CITY
ENGINEERING & CONSTRUCTION DEPARTMENT
PLANNING AND DESIGN DIVISION
TEL. NO.: (083) 552 - 3824

PROJECT TITLE / LOCATION:	CHECKED BY:	REVIEWED BY:	APPROVED BY:	CONTENT:	SHEET NO.:
REPAIR OF WAREHOUSE ROOFING (END FLASHING)	 ENGR. MA. CELIA N. DANDAN OIC - PDD	 ENGR. ROGELIO A. BESANA, JR. AGM, OPERATION & TECHINCAL SERVICES	 ENGR. ARN B. GELLANGARIN GENERAL MANAGER A	AS SHOWN	1
LOCATION: Parok, Ulagre, Brgy. Conel, G.S.C.				DRAWN: RRA REVISION: CHECKED: DATE: March 2022	



END FLASHING DETAIL
SCALE: N T S



GENERAL SANTOS CITY WATER DISTRICT
E. FERNANDEZ STREET, BRGY. LAGAO, GEN. SANTOS CITY
ENGINEERING & CONSTRUCTION DEPARTMENT
PLANNING AND DESIGN DIVISION
TEL. NO.: (083) 552 - 3824

PROJECT TITLE / LOCATION:	CHECKED BY:	REVIEWED BY:	APPROVED BY:	CONTENT:	SHEET NO.:
REPAIR OF WAREHOUSE ROOFING (END FLASHING)	ENGR. MA. CELIA N. DANDAN OIC - PDD	ENGR. ROGELIO A. BESANA, JR. AGM, OPERATION & TECHNICAL SERVICES	ENGR. ARN B. GELLANGARIN GENERAL MANAGER A	AS SHOWN	2
				DRAWN: RRA	REVISION:
LOCATION: Purok Ulagre, Brgy. Conel, G.S.C.				CHECKED:	DATE: March 2022