



Republic of the Philippines
GENERAL SANTOS CITY WATER DISTRICT
E. Fernandez Street, Barangay Lagao General Santos
Telephone No.: 552-3824; Telefax No.: 553-4960
Email Address: gscwdprocurement@yahoo.com

GPM-014-3

REQUEST FOR QUOTATION

RFQ #: 3-0323-090 DATE: 03/29/2023

SUPPLIER: _____
ADDRESS: _____
TELEPHONE NO. : _____
TIN NO. : _____

Dear Sir/Madam,

Pls. quote your lowest price on the item/s listed below subject to general condition stating the shortest time of delivery and submit your quotation duly signed by your representative not later than 04/04/2023, Pls. furnish this office the following articles subject to the terms and conditions contained therein.

ITEM NO.	DESCRIPTION	QTY.	UNIT	UNIT PRICE
1	C.I. TEE 75 X 75MM M/M : WITH HOT DIP GALVANIZE BOLTS AND NUTS-ABC: PHP 40,000.00	10	pc	P
2	C.I. CROSS TEE 75 X 75MM : WITH HOT DIP GALVANIZE BOLTS AND NUTS-ABC: PHP 7,500.00	1	pcs.	P
3	C.I. TEE REDUCER 100 X 75MM M/M : WITH HOT DIP GALVANIZE BOLTS AND NUTS-ABC: PHP 30,000.00	6	pc	P
4	D.I. SLEEVE TYPE COUPLING 75MM (3``) : WITH HOT DIP GALVANIZE BOLTS AND NUTS-WITH 10 YEARS WARRANTY-ABC: PHP 15,000.00	10	pc	P
5	C.I. SLEEVE TYPE COUPLING 4`` (100MM) : WITH HOT DIP GALVANIZE BOLTS AND NUTS-ABC: PHP 17,500.00	7	pcs	P
6	C.I. BEND 100MM X 90 DEG M/M : WITH HOT DIP GALVANIZE BOLTS AND NUTS-ABC: PHP 5,000.00	1	pc	P
7	C.I. CROSS TEE 100 X 75MM : WITH HOT DIP GALVANIZE BOLTS AND NUTS-ABC: PHP 7,000.00	1	pcs.	P
8	C.I. TEE 100 X 100MM M/M : WITH HOT DIP GALVANIZE BOLTS AND NUTS-ABC: PHP 10,000.00	2	pcs	P

Delivery term: _____
Price Validity : _____
Terms of Payment: _____

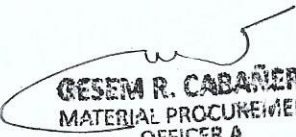
Place of Delivery: GSCWD Bodega

*****No partial delivery allowed*****

Note: 6% WITHHOLDING TAX DEDUCTION

PR NO.: 0323-034

Requested by:


GEZEM R. CABANERO
MATERIAL PROCUREMENT
OFFICER A

Price quoted by:

Supplier

Date



Republic of the Philippines
GENERAL SANTOS CITY WATER DISTRICT
E. Fernandez Street, Barangay Lagao General Santos
Telephone No.: 552-3824; Telefax No.: 553-4960
Email Address: gscwdprocurement@yahoo.com

GPM-014-3

REQUEST FOR QUOTATION

RFQ #: 3-0323-090 DATE: 03/29/2023

SUPPLIER: _____
ADDRESS: _____
TELEPHONE NO. : _____
TIN NO. : _____

Dear Sir/Madam,

Pls. quote your lowest price on the item/s listed below subject to general condition stating the shortest time of delivery and submit your quotation duly signed by your representative not later than 04/04/2023, Pls. furnish this office the following articles subject to the terms and conditions contained therein.

ITEM NO.	DESCRIPTION	QTY.	UNIT	UNIT PRICE
9	C.I. BEND 75MM X 90 DEG M/M : WITH HOT DIP GALVANIZE BOLTS AND NUTS-ABC: PHP 6,000.00 ##### nothing follows #####	2	pcs	P

Delivery term: _____
Price Validity : _____
Terms of Payment: _____

Place of Delivery: GSCWD Bodega

****No partial delivery allowed****

Note: 6% WITHHOLDING TAX DEDUCTION

PR NO.: 0323-034

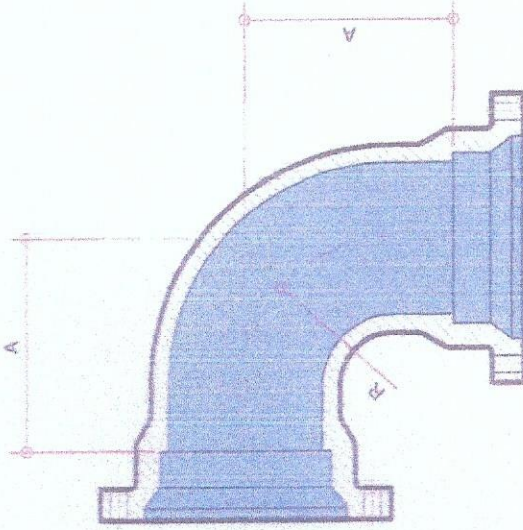
Requested by:

Price quoted by:

Supplier

Date

90° MECHANICAL JOINT



SIZES		DIMENSIONS				APPROX. WT (kgs.)
(Inch)	(mm)	R		A		
		(Inch)	(mm)	(Inch)	(mm)	
2	50	3.25	82.55	3.25	82.55	9.53
3	75	5.50	139.70	5.50	139.70	26.31
4	100	6.50	165.10	6.50	165.10	35.38
6	150	8.00	203.20	8.00	203.20	53.97
8	200	9.00	228.60	9.00	228.60	90.26
10	250	11.00	279.40	11.00	279.40	136.01
12	300	12.00	304.80	12.00	304.80	179.62

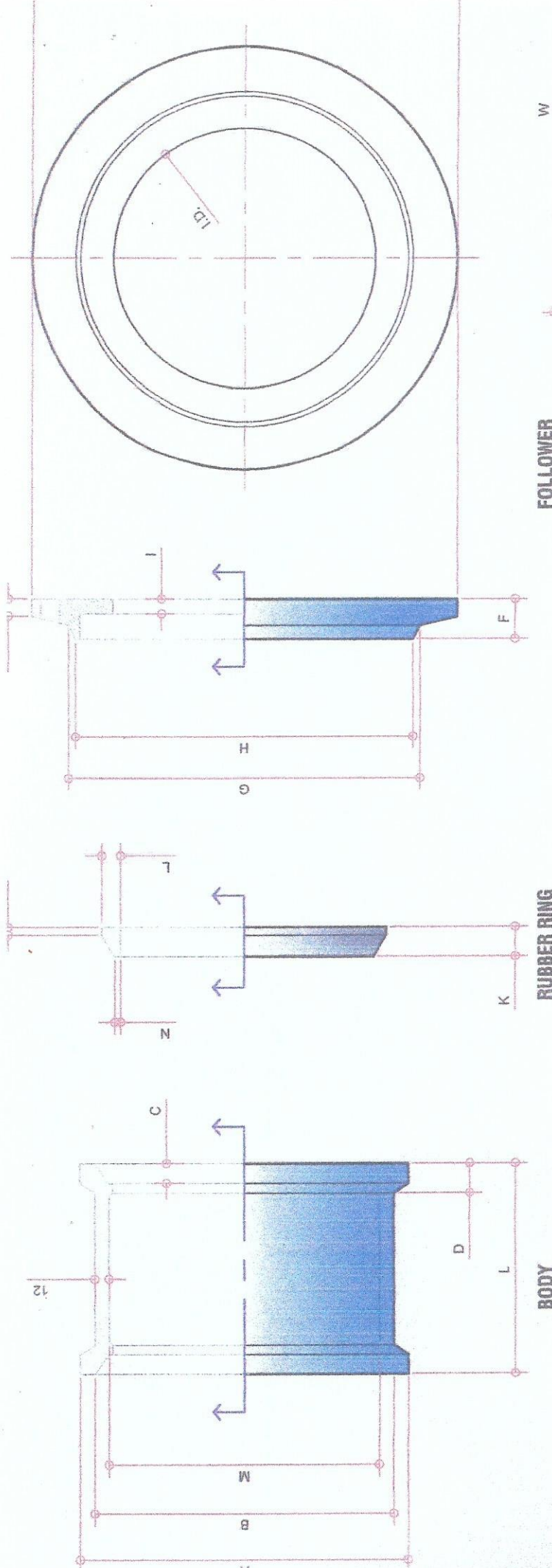
SPECIFICATION:

BODY : MADE OF CAST IRON WITH CEMENT LINED INSIDE.
BOLTS : HOT DIP GALVANIZED WITH NUT & WASHER.
SEALING : EPDM RUBBER.

GENERAL SANTOS CITY WATER DISTRICT
 E. FERNANDEZ STREET, 1887, LAGUNA, CEBU, SANTOS CITY
 ENGINEERING & CONSTRUCTION DEPARTMENT
 PLANNING AND DESIGN DIVISION
 TEL. NO.: (093) 052 - 3024

PROJECT TITLE / LOCATION
 STANDARD SHOP DRAWING FOR
 90° CAST IRON BEND

CHECKED BY: ENGR. DAMASO M. HORLADOR, JR. Project Planning & Development Officer A	REVIEWED BY: ENGR. MARIA CELIA N. DANDAN PIC Planning & Design Division	APPROVED BY: <i>[Signature]</i> ENGR. JOSE LIO A. BESANA, JR. AGM - Operations & Technical Services	CONTENT: AS SHOWN
		DRAWN: ESA	REVISOR:
		CHECKED:	DATE: 10/1



BODY

RUBBER RING

FOLLOWER

NOMINAL SIZE mm(in.)	PIPE O.D.	BODY						FOLLOWER						BOLTS & NUTS			RUBBER RING				
		A	B	C	D	L	M	t	E	F	G	H	I	J	W	Ø	No.	N	L	K	M
50 (2")	63	104	86	16	24	120	74	8	9	23	120	116	10	165	190	12.5	4	5	14	20	6
75 (3")	90	137	114	19	24	132	105	12.19	10	23	156	154	10	200	220	14	4	5	14	24	6
100 (4")	110	158	140	21	24	147	117	13.20	10	25	180	178	12	232	220	14	4	5	14	26	7
150 (6")	160	214	190	24	24	174	175	13.90	12	29	233	231	13	285	255	16	5	5	16	26	7
200 (8")	225	281	256	25	25	180	230	15.20	15	34	301	299	13	365	260	16	8	5	16	26	7
250 (10")	260	325	310	26	25	185	260	17.30	15	34	342	340	13	412	280	16	8	5	17	26	7

BOLTS & NUTS

NOTES:

1. ALL DIMENSION ARE IN MILLIMETER UNITS.
2. MATERIALS IS CAST IRON CONFORM TO ASTM
3. INTERNAL AND EXTERNAL COATING ELECTRIC APPLIED EPOXY POWDER IN COMPLIANCE WITH
4. MATERIALS OF BOLTS AND NUTS IS HOT DIP GALVANIZED
5. GASKET FOR AWWA C-111 AND SHALL BE EPDM CONFORMING TO ISO 4633 CLASS 70, AND SUITABLE FOR DRINKING WATER.
6. RATED WORKING PRESSURE SHALL BE 200 PSI

GENERAL SANTOS CITY WATER DISTRICT
 E. PERRAZ STREET, 3RD FLR., LAGUNA, GEN. SANTOS CITY
 ENGINEERING & CONSTRUCTION DEPARTMENT
 PLANNING AND DESIGN DIVISION
 TEL. NO.: (083) 552 - 0024

PROJECT TITLE / LOCATION:
STANDARD SHOP DRAWING FOR SLEEVE TYPE COUPLING

CHECKED BY: *[Signature]*
ENGR. DANLO M. HORLADOR, JR.
 Project Planning & Development Officer A

REVIEWED BY: *[Signature]*
ENGR. MARIA CELIA N. DANDAN
 PIC - Planning & Design Division

APPROVED BY: *[Signature]*
ENGR. ROGELIO A. BESANA, JR.
 AGM - Operations & Technical Services

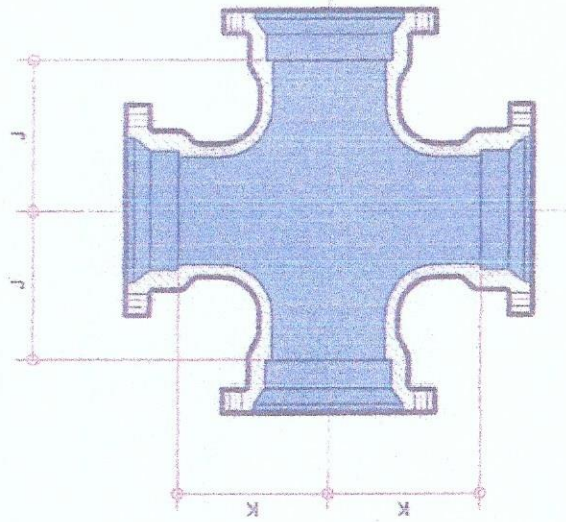
CONTENT:
AS SHOWN

DATE: 10/03

REVISION: ESA

MECHANICAL JOINT CROSS TEE

SIZES			DIMENSIONS (in)			
RUN x BRANCH (inch)	RUN inch (mm)	BRANCH inch (mm)	J	K	APPROX. WT (kggs.)	
3 x 3	75 x 75	3 (75)	5.50	5.50	35.00	
4 x 3	100 x 75	4 (100)	6.50	6.50	40.82	
4 x 4	100 x 100	4 (100)	6.50	6.50	47.63	
6 x 6	150 x 150	6 (150)	8.00	8.00	72.57	
8 x 4	200 x 100	8 (200)	9.00	9.00	83.91	
8 x 6	200 x 150	8 (200)	9.00	9.00	92.98	
8 x 8	200 x 200	8 (200)	9.00	9.00	106.60	
10 x 4	250 x 100	10 (250)	11.00	11.00	117.93	
10 x 6	250 x 150	10 (250)	11.00	11.00	129.30	
10 x 8	250 x 200	10 (250)	11.00	11.00	140.60	
10 x 10	250 x 250	10 (250)	11.00	11.00	172.40	
12 x 4	300 x 100	12 (300)	12.00	12.00	154.20	
12 x 6	300 x 150	12 (300)	12.00	12.00	163.30	
12 x 8	300 x 200	12 (300)	12.00	12.00	174.60	
12 x 10	300 x 250	12 (300)	12.00	12.00	208.65	
12 x 12	300 x 300	12 (300)	12.00	12.00	224.50	



PECIFICATION:

BODY : MADE OF CAST IRON WITH CEMENT LINED INSIDE.

FINISH : HOT DIP GALVANIZED WITH NUT & WASHER.

PAINTING : EPDM RUBBER.

GENERAL SANTOS CITY WATER DISTRICT
 E. FORANDEZ STREET, 3RD FLOR., GENERAL SANTOS CITY
 ENGINEERING & CONSTRUCTION DEPARTMENT
 PLANNING AND DESIGN DIVISION
 TEL. 081 - (052) 332 - 3024

PROJECT TITLE / LOCATION:
 STANDARD SHOP DRAWING FOR
 CROSS TEE CAST IRON FITTINGS

CHECKED BY: *[Signature]*
 ENGR. DANLO M. HORLADOR, JR.
 Project Planning & Development Officer A

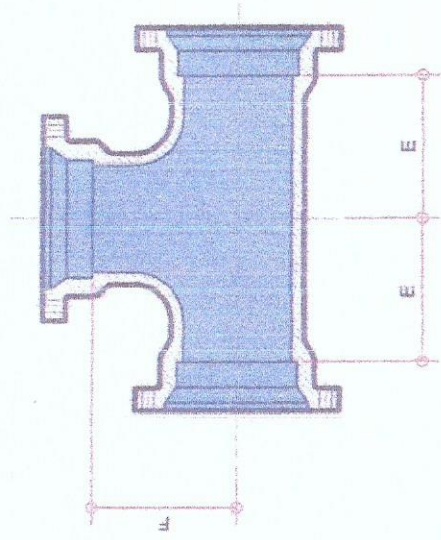
REVIEWED BY: *[Signature]*
 ENGR. CELINA N. DANDAN
 Design Division

APPROVED BY: *[Signature]*
 ENGR. ROSELIO A. BESANA, JR.
 AGM - Operations & Technical Services

CONTENT: AS SHOWN
 DRAWN: ESA
 REVISION: _____
 CHECKED: _____
 DATE: _____

MECHANICAL JOINT TEE EQUAL / TEE REDUCER

SIZES			DIMENSIONS (in)			
RUN x BRANCH (Inch)	BRANCH (mm)	RUN Inch (mm)	BRANCH Inch (mm)	J	K	APPROX. WT (Kgs)
2 x 2	50 x 50	2 (50)	2 (50)	5.50	5.50	35.00
3 x 2	75 x 50	3 (75)	2 (50)	6.50	6.50	40.82
3 x 3	75 x 75	3 (75)	3 (75)	6.50	6.50	47.63
4 x 2	100 x 50	4 (100)	2 (50)	8.00	8.00	72.57
4 x 3	100 x 75	4 (100)	3 (75)	9.00	9.00	83.91
4 x 4	100 x 100	4 (100)	4 (100)	9.00	9.00	92.98
6 x 2	150 x 50	6 (150)	2 (50)	9.00	9.00	106.60
6 x 3	150 x 75	6 (150)	3 (75)	11.00	11.00	117.98
6 x 4	150 x 100	6 (150)	4 (100)	11.00	11.00	129.30
6 x 6	150 x 150	6 (150)	6 (150)	11.00	11.00	140.66
8 x 3	200 x 75	8 (200)	3 (75)	11.00	11.00	172.40
8 x 4	200 x 100	8 (200)	4 (100)	12.00	12.00	154.20
8 x 6	200 x 150	8 (200)	6 (150)	12.00	12.00	163.30
8 x 8	200 x 200	8 (200)	8 (200)	12.00	12.00	174.60
10 x 4	250 x 100	10 (250)	4 (100)	12.00	12.00	208.65
10 x 6	250 x 150	10 (250)	6 (150)	12.00	12.00	224.50
10 x 8	250 x 200	10 (250)	8 (200)	12.00	12.00	208.65
10 x 10	250 x 250	10 (250)	10 (250)	12.00	12.00	224.50
12 x 4	300 x 100	12 (300)	4 (100)	12.00	12.00	208.65
12 x 6	300 x 150	12 (300)	6 (150)	12.00	12.00	224.50
12 x 8	300 x 200	12 (300)	8 (200)	12.00	12.00	208.65
12 x 10	300 x 250	12 (300)	10 (250)	12.00	12.00	224.50
12 x 12	300 x 300	12 (300)	12 (300)	12.00	12.00	224.50



SPECIFICATION:
 BODY : MADE OF CAST IRON WITH CEMENT LINED INSIDE.
 BOLTS : HOT DIP GALVANIZED WITH NUT & WASHER.
 SEALING : EPDM RUBBER.

<p>GENERAL SANTOS CITY WATER DISTRICT 8, FERNANDEZ STREET, BAY LAGO, GEN. SANTOS CITY ENGINEERING & CONSTRUCTION DEPARTMENT TEL. NO. (083) 552 - 3824</p>	PROJECT TITLE / LOCATION: STANDARD SHOP DRAWING FOR TEE CAST IRON FITTINGS	CHECKED BY: ENGR. D. MARCO M. HORLADOR, JR. Project Planning & Development Officer A	REVIEWED BY: ENGR. MARIA CELIA N. DANDAN City Planning & Design Division	APPROVED BY: ENGR. ROGELIO A. GESANA, JR. AGM - Operations & Technical Services	CONTENT: AS SH DRAWN: ESA CHECKED:
	Project Planning & Development Officer A				