



Republic of the Philippines
GENERAL SANTOS CITY WATER DISTRICT
E. Fernandez Street, Barangay Lagao General Santos
Telephone No.: 552-3824; Telefax No.: 553-4960
Email Address: gscwdprocurement@yahoo.com

GPM-014-3

REQUEST FOR QUOTATION

RFQ #: 3-0323-091 DATE: 03/29/2023

SUPPLIER: _____
ADDRESS: _____
TELEPHONE NO. : _____
TIN NO. : _____

Dear Sir/Madam,

Pls. quote your lowest price on the item/s listed below subject to general condition stating the shortest time of delivery and submit your quotation duly signed by your representative not later than 04/04/2023, Pls. furnish this office the following articles subject to the terms and conditions contained therein.

ITEM NO.	DESCRIPTION	QTY.	UNIT	UNIT PRICE
1	C.I. TEE REDUCER 200 X 100MM : WITH HOT DIP GALVANIZE BOLTS AND NUTS-ABC: PHP 15,000.00	1	pcs	P
2	C.I. CROSS TEE 100X 100MM : WITH HOT DIP GALVANIZE BOLTS AND NUTS-ABC: PHP 10,000.00	1	pcs.	P
3	C.I. TEE REDUCER 100 X 75MM M/M : WITH HOT DIP GALVANIZE BOLTS AND NUTS-ABC: PHP 30,000.00	5	pc	P
4	C.I. BEND 100MM X 90 DEG M/M : WITH HOT DIP GALVANIZE BOLTS AND NUTS-ABC: PHP 20,000.00	4	pc	P
5	UPVC SOCKET RED. 4 X 3 `` W/ O-RING : ABC: PHP 1,000.00 ##### nothing follows #####	1	pc	P

Delivery term: _____
Price Validity : _____
Terms of Payment: _____

Place of Delivery: GSCWD Bodega

****No partial delivery allowed****

Note: 6% WITHHOLDING TAX DEDUCTION

PR NO.: 0323-036

Requested by:

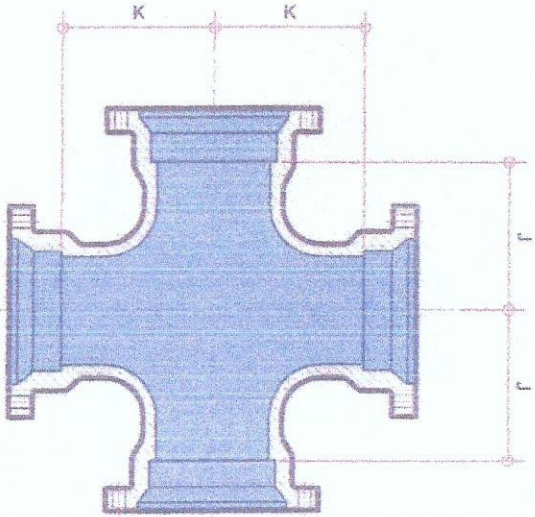
RESEM R. CABAÑERO
MATERIAL PROCUREMENT
OFFICER A

Price quoted by:

Supplier

Date

MECHANICAL JOINT CROSS TEE



SIZES			DIMENSIONS (in)			
RUN x BRANCH (inch)	(mm)	RUN (inch)	BRANCH (inch)	J	K	APPROX. WT (kg)
3 x 3	75 x 75	3 (75)	3 (75)	5.50	5.50	35.00
4 x 3	100 x 75	4 (100)	3 (75)	6.50	6.50	40.82
4 x 4	100 x 100	4 (100)	4 (100)	6.50	6.50	47.63
6 x 6	150 x 150	6 (150)	6 (150)	8.00	8.00	72.57
8 x 4	200 x 100	8 (200)	4 (100)	9.00	9.00	83.91
8 x 6	200 x 150	8 (200)	6 (150)	9.00	9.00	92.98
8 x 8	200 x 200	8 (200)	8 (200)	9.00	9.00	106.60
10 x 4	250 x 100	10 (250)	4 (100)	11.00	11.00	117.93
10 x 6	250 x 150	10 (250)	6 (150)	11.00	11.00	129.30
10 x 8	250 x 200	10 (250)	8 (200)	11.00	11.00	140.60
10 x 10	250 x 250	10 (250)	10 (250)	11.00	11.00	172.40
12 x 4	300 x 100	12 (300)	4 (100)	12.00	12.00	154.20
12 x 6	300 x 150	12 (300)	6 (150)	12.00	12.00	163.30
12 x 8	300 x 200	12 (300)	8 (200)	12.00	12.00	174.60
12 x 10	300 x 250	12 (300)	10 (250)	12.00	12.00	208.65
12 x 12	300 x 300	12 (300)	12 (300)	12.00	12.00	224.50

RECOMMENDATION:
 DDY : MADE OF CAST IRON WITH CEMENT LINED INSIDE.
 DITS : HOT DIP GALVANIZED WITH NUT & WASHER.
 PAINTING : EPDM RUBBER.

GENERAL SANTOS CITY WATER DISTRICT
 E. VERANDEZ STREET, 1001, LAGUNA, GEN. SANTOS CITY
 ENGINEERING & CONSTRUCTION DEPARTMENT
 PLANNING AND DESIGN DIVISION
 TEL. 0911 (092) 912 - 5024

PROJECT TITLE / LOCATION
 STANDARD SHOP DRAWING FOR
 CROSS TEE CAST IRON FITTINGS

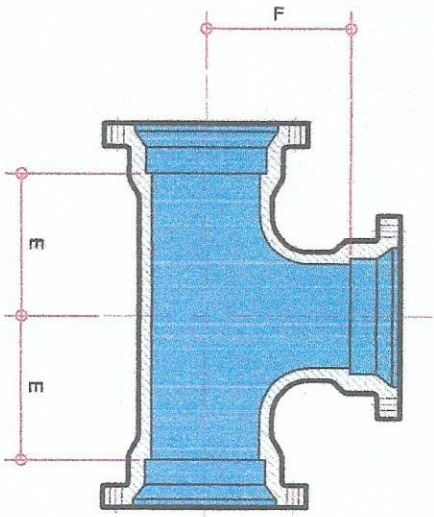
CHECKED BY:
 ENGR. DANIEL M. HORLADOR, JR.
 Project Planning & Development Officer A

REVIEWED BY:
 ENGR. VERA CELIA N. DANDAN
 Div. Planning & Design Division

APPROVED BY:
 ENGR. ROSELIO A. BEGANA, JR.
 Asst. Operations & Technical Services

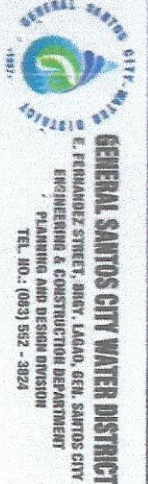
COMMENT:
 AS SHOWN
 DRAWN: ESA
 CHECKED: DATE: 1

MECHANICAL JOINT TEE EQUAL / TEE REDUCER



RUN X BRANCH (Inch)	RUN (mm)	BRANCH (Inch)	BRANCH (mm)	DIMENSIONS (In)		APPROX. WT (lbs.)
				J	K	
2x2	50 x 50	2 (50)	2 (50)	5.50	5.50	35.00
3x2	75 x 50	3 (75)	2 (50)	6.50	6.50	40.82
3x3	75 x 75	3 (75)	3 (75)	6.50	6.50	47.63
4x2	100 x 50	4 (100)	2 (50)	8.00	8.00	72.57
4x3	100 x 75	4 (100)	3 (75)	9.00	9.00	83.91
4x4	100 x 100	4 (100)	4 (100)	9.00	9.00	92.98
6x2	150 x 50	6 (150)	2 (50)	9.00	9.00	106.60
6x3	150 x 75	6 (150)	3 (75)	11.00	11.00	117.93
6x4	150 x 100	6 (150)	4 (100)	11.00	11.00	129.30
6x6	150 x 150	6 (150)	6 (150)	11.00	11.00	140.60
8x3	200 x 75	8 (200)	3 (75)	11.00	11.00	172.40
8x4	200 x 100	8 (200)	4 (100)	12.00	12.00	154.20
8x6	200 x 150	8 (200)	6 (150)	12.00	12.00	163.30
8x8	200 x 200	8 (200)	8 (200)	12.00	12.00	174.60
10x4	250 x 100	10 (250)	4 (100)	12.00	12.00	208.65
10x6	250 x 150	10 (250)	6 (150)	12.00	12.00	224.50
10x4	250 x 100	10 (250)	4 (100)	12.00	12.00	208.65
10x6	250 x 150	10 (250)	6 (150)	12.00	12.00	224.50
10x8	250 x 200	10 (250)	8 (200)	12.00	12.00	208.65
10x10	250 x 250	10 (250)	10 (250)	12.00	12.00	224.50
12x4	300 x 100	12 (300)	4 (100)	12.00	12.00	208.65
12x6	300 x 150	12 (300)	6 (150)	12.00	12.00	224.50
12x8	300 x 200	12 (300)	8 (200)	12.00	12.00	208.65
12x10	300 x 250	12 (300)	10 (250)	12.00	12.00	224.50
12x12	300 x 300	12 (300)	12 (300)	12.00	12.00	224.50

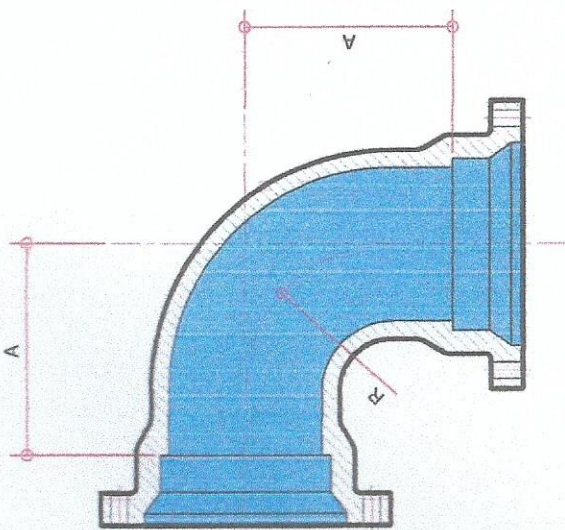
SPECIFICATION:
BODY : MADE OF CAST IRON WITH CEMENT LINED INSIDE.
BOLTS : HOT DIP GALVANIZED WITH NUT & WASHER.
SEALING : EPDM RUBBER.



GENERAL SANTOS CITY WATER DISTRICT
 E. FERNANDEZ STREET, DIVY. LAGAO, GEN. SANTOS CITY
 ENGINEERING & CONSTRUCTION DEPARTMENT
 PLANNING AND DESIGN DIVISION
 TEL. NO.: (083) 592 - 3824

PROJECT TITLE / LOCATION: STANDARD SHOP DRAWING FOR TEE CAST IRON FITTINGS	CHECKED BY: <i>[Signature]</i> ENGR. DARWIN M. HOBLADOR, JR. Project Planning & Development Officer A	REVIEWED BY: <i>[Signature]</i> ENGR. MARIA CELIA N. DANDAN OIC - Planning & Design Division	APPROVED BY: <i>[Signature]</i> ENGR. HUGELIO A. BESANA, JR. AGM - Operations & Technical Services	CONTENT: AS SHOWN	DRAWN: ESA	REVISION:	CHECKED:	DATE: 10/08/202
--	---	--	--	-----------------------------	-------------------	-----------	----------	------------------------

90° MECHANICAL JOINT



SIZES		DIMENSIONS				APPROX. WT (kgs.)
(inch)	(mm)	(inch)	(mm)	A (inch)	A (mm)	
2	50	3.25	82.55	3.25	82.55	9.53
3	75	5.50	139.70	5.50	139.70	26.31
4	100	6.50	165.10	6.50	165.10	35.38
6	150	8.00	203.20	8.00	203.20	53.97
8	200	9.00	228.60	9.00	228.60	90.26
10	250	11.00	279.40	11.00	279.40	136.01
12	300	12.00	304.80	12.00	304.80	179.62

SPECIFICATION:

- BODY** : MADE OF CAST IRON WITH CEMENT LINED INSIDE.
- BOITS** : HOT DIP GALVANIZED WITH NUT & WASHER.
- SEALING** : EPDM RUBBER.

GENERAL SANTOS CITY WATER DISTRICT
 E. FERNANDEZ STREET, BRGY. LAGAO, GEN. SANTOS CITY
 ENGINEERING & CONSTRUCTION DEPARTMENT
 PLANNING AND DESIGN DIVISION
 TEL. NO.: (083) 552 - 3824

PROJECT TITLE / LOCATION:
 STANDARD SHOP DRAWING FOR
 90° CAST IRON BEND

CHECKED BY: *[Signature]*
 ENGR. DAMILO M. HORLADOR, JR.
 Project Planning & Development Officer A

REVIEWED BY: *[Signature]*
 ENGR. MARITA CELIA N. DANDAN
 OIC - Planning & Design Division

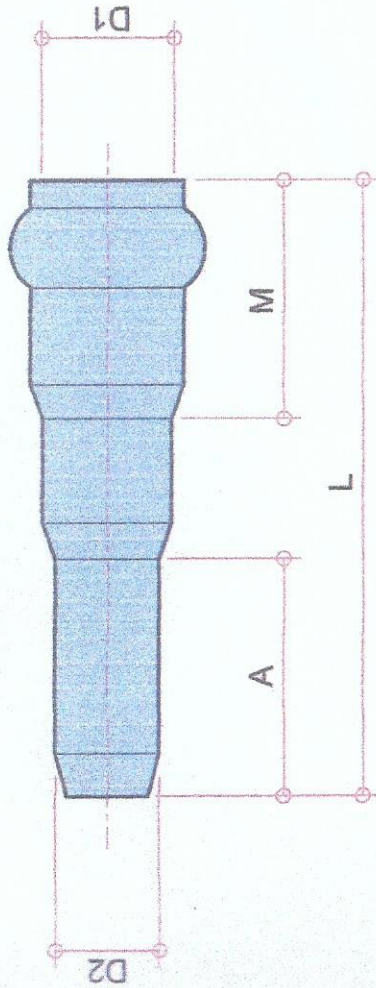
APPROVED BY: *[Signature]*
 ENGR. JOGELIO A. BESANA, JR.
 AGM - Operations & Technical Services

CONTENT: AS SHOWN
 DRAWN: ESA
 REVISION:
 CHECKED:
 DATE: 10 / 03 / 2022

ALL DIMENSION ARE IN MILLIMETER UNITS

NOMINAL SIZE		DIMENSION				
MM	IN.	D1	D2	M	L	A
75 x 50	3 x 2	90	63	140	393	150
100 x 75	4 x 3	110	90	150	421	200
150 x 100	6 x 4	160	110	175	524	220
200 x 150	8 x 6	225	160	210	675	225

uPVC REDUCER



<p>PROJECT TITLE / LOCATION</p> <p>STANDARD SHOP DRAWING FOR uPVC REDUCER</p>		<p>CHECKED BY:</p> <p><i>[Signature]</i> ENGR. DAVIDO M. HORLADOR, JR. Project Planning & Development Officer A</p>	<p>REVIEWED BY:</p> <p><i>[Signature]</i> ENGR. MARIA CELIA N. DANDAN OIC, Planning & Design Division</p>	<p>APPROVED BY:</p> <p><i>[Signature]</i> ENGR. ROGELIO A. BESANA, JR. ASH - Operations & Technical Services</p>	<p>CONTENT:</p> <p>AS SHOWN</p>
<p>GENERAL SANTOS CITY WATER DISTRICT E. FERNANDEZ STREET, 806Y, LAGAO, GEN. SANTOS CITY ENGINEERING & CONSTRUCTION DEPARTMENT PLANNING AND DESIGN DIVISION TEL. NO.: (083) 502 - 3824</p>		<p>DRAWN: ESA</p>	<p>REVISION:</p>	<p>CHECKED:</p>	<p>DATE: 10 / 03</p>