



Republic of the Philippines  
GENERAL SANTOS CITY WATER DISTRICT  
E. Fernandez Street, Barangay Lagao General Santos  
Telephone No.: 552-3824; Telefax No.: 553-4960  
Email Address: gscwdprocurement@yahoo.com

GPM-014-4

**REQUEST FOR QUOTATION**

RFQ #: 3-0324-097      DATE: 3/15/2024

SUPPLIER: \_\_\_\_\_  
ADDRESS: \_\_\_\_\_  
TELEPHONE NO. : \_\_\_\_\_  
TIN NO. : \_\_\_\_\_

Dear Sir/Madam,

Pls. quote your lowest price on the item/s listed below subject to general condition stating the shortest time of delivery and submit your quotation duly signed by your representative not later than 3/19/2024, Pls. furnish this office the following articles subject to the terms and conditions contained therein.

Instructions :

1. Accomplish this Request for Quotation duly, correctly, and completely.
2. Do not alter the contents of this form in any way.
3. If Technical Specifications/ Terms of Reference is provided, prospect bidder (supplier / service provider) must indicate and signify compliance to every perimeter in the specification.

ITEM NO.	DESCRIPTION	QTY.	UNIT	UNIT PRICE
1	D.I. GATEVALVE 200MM M/M (8``) : PLEASE SEE ATTACHED SPECIFICATION(ABC: PHP 138,000.00 ##### nothing follows #####	2	pcs.	P

Date of Delivery: \_\_\_\_\_  
Price Validity : \_\_\_\_\_  
Mode of Payment: \_\_\_\_\_

Place of Delivery: GSCWD Bodega  
\*\*\*\*No partial delivery allowed\*\*\*\*  
Note: 6% WITHHOLDING TAX DEDUCTION  
PR NO.: 0224-104

Requested by:

ANDREW H. NADAL, JR.  
Material Procurement Officer A

Price quoted by:

\_\_\_\_\_  
Supplier

\_\_\_\_\_  
Date



## TECHNICAL SPECIFICATION

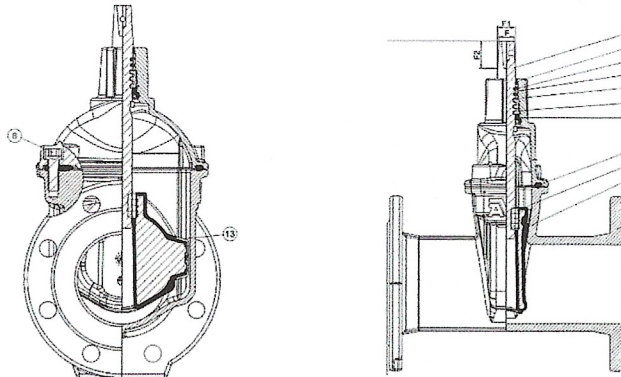
**TITLE: PURCHASE OF DI GATE VALVE F/F WITH HANDWHEEL**

### 1.0 SCOPE OF CONTRACT

The scope shall be supply and delivery of Two (2) set brand new DI Gate Valve F/F with Hand wheel to General Santos City Water District (GSCWD).

Particulars	Requirements
Size mm(inches)	200 (8)
Body	Ductile Iron
Stem	Stainless Steel
Wiper Ring, Oring	NBR Rubber
Bearing	Polyamide
Bonnet	Ductile Iron
Thrust Collar	Brass
Manchette	EPDM Rubber
Bonnet bolt	Stainless Steel
Bonnet Gasket	EPDM Rubber
Flange No. Holes	12

### 2.0 Drawing





## TERMS AND CONDITIONS

1. The scope of work shall be supply and delivery **Two (2) set brand new DI Gate Valve F/F with Handwheel** to General Santos City Water District (GSCWD).
2. All bidder is required to submit and include documents but not limited to **manuals, data sheets, and Manufacturers Authorization Certificate specific to this project** in there bidding documents.
3. The winning bidder shall deliver the two (2) set **brand new DI Gate Valve F/F with Handwheel**, within **thirty (30)** calendar days upon receipt of Purchase Order (PO).
4. The winning bidder shall be subjected to Liquidated Damages (LD) for each day of delay as provided by the IRR of RA 9184.
5. That the winning bidder shall issue a warranty certificate of **ten (10) years** and the warranty shall commence from the date of commissioning of the pumping equipment. That the bidder must have an available qualified and trained technicians 24/7 in case of equipment failure.

Prepared by.

  
**EDMUND L. BADAL, REE**  
TWG - Member

**MICHAEL G. GABALES, REE**  
TWG - HEAD