



Republic of the Philippines
GENERAL SANTOS CITY WATER DISTRICT
E. Fernandez Street, Barangay Lagao General Santos
Telephone No.: 552-3824; Telefax No.: 553-4960
Email Address: gscwdprocurement@yahoo.com

GPM-014-2

REQUEST FOR QUOTATION

RFQ #: 3-0422-063 DATE: 7/7/2022

SUPPLIER: _____
ADDRESS: _____
TELEPHONE NO. : _____
TIN NO. : _____

Dear Sir/Madam,

Pls. quote your lowest price on the item/s listed below subject to general condition stating the shortest time of delivery and submit your quotation duly signed by your representative not later than 7/13/2022, Pls. furnish this office the following articles subject to the terms and conditions contained therein.

ITEM NO.	DESCRIPTION	QTY.	UNIT	UNIT PRICE
1	D.I. GATEVALVE F/F 300MM (12``) : PN16; WITH HOT DIP GALVANIZE BOLTS & NUTS-ABC: PHP 368,000.00;WITH 10 YEARS WARRANTY (Please see attached Technical Specification). ##### nothing follows #####	4	pc	P

Date of Delivery: _____
Price Validity : _____
Terms of Payment: _____

Place of Delivery: GSCWD Bodega

*****No partial delivery allowed****

Note: 6% WITHHOLDING TAX DEDUCTION

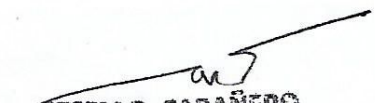
PR NO.: 0422-051

Requested by:

Price quoted by:

Supplier

Date


GESEM R. CABAÑERO
MATERIAL PROCUREMENT
OFFICER A



TECHNICAL SPECIFICATION

TITLE: PURCHASE OF BRAND-NEW DI GATE VALVE F/F WITH HOT DIP GALVANIZE BOLTS & NUTS

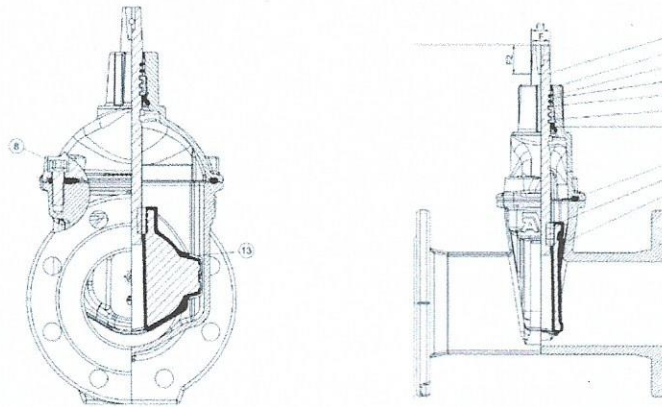
1.0 SCOPE OF CONTRACT

The scope shall be supply and delivery of Four (4) sets brand new DI Gate Valve F/F with Hot Dip Galvanize Bolts & Nuts to General Santos City Water District (GSCWD).

Particulars	Requirements
Size mm(inches)	300 (12)
Body	Ductile Iron
Stem	Stainless Steel
Wiper Ring, O-ring	NBR Rubber
Bearing	Polyamide
Bonnet	Ductile Iron
Thrust Collar	Brass
Manchette	EPDM Rubber
Bonnet bolt	Stainless Steel
Bonnet Gasket	EPDM Rubber
Pressure Nominale	PN16
Flange No. Holes	12



2.0 DRAWING



3.0 DIMENSIONS

DN	Flange	L	W	H	H3	Actuator	F1	Theoretical
mm	drilling	mm	mm	mm	mm	flange	mm	weight/kg
300	PN16	356	455	69	910	F10/F14	30	117

4.0 STANDARDS

- BS5163 Type B, EN 1074 part 1 & 2
- Face-to-face dimension according to EN 558
- Flange drilling according to EN 1092

5.0 TESTS/APPROVALS

- Water Regulations Approval Scheme (WRAS) approved materials.
- Hydraulic Test according to EN 1074-1&2/EN 12266

6.0 TERMS AND CONDITIONS

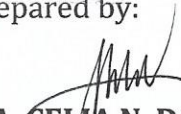
- The scope of work shall be supply and delivery **Four (4) sets brand new DI Gate Valve F/F with Hot Dip Galvanize Bolts & Nuts** to General Santos City Water District (GSCWD).
- All bidder is required to submit and include documents but not limited to **manuals, data sheets, and Manufacturers Authorization Certificate specific to this project** in there bidding documents



Republic of the Philippines
GENERAL SANTOS CITY WATER DISTRICT (GSCWD)
GSCWD Bldg., E. Fernandez Street (Emergency Road), Lagao, General Santos City
Telephone No.: 552-3824/554-7231; Telefax No.: 553-4960
E-mail Address: gscwaterdistrict@yahoo.com

- The winning bidder shall deliver the Four (4) sets **brand new DI Gate Valve F/F with Hot Dip Galvanize Bolts & Nuts**, within **Ninety (90)** calendar days upon receipt of Purchase Order (PO).
- The winning bidder shall be subjected to Liquidated Damages (LD) for each day of delay as provided by the IRR of RA 9184.
- That the winning bidder shall issue a warranty certificate of at least ten (10) years and the warranty shall commence from the date of commissioning of the pumping equipment. That the bidder must have an available qualified and trained technicians 24/7 in case of equipment failure.


Prepared by:


MA. CELIA N. DANDAN, CE
TWG - Member


JUDY A. LIM-PASMAN, JD
TWG- Member


MICHAEL G. GABALES, REE
TWG - HEAD

Recommending Approval:


ROGELIO A. BESANA JR. C.E., RMP
Assistant General Manager - Operations and Technical Services

Approval:


ARN B. GELLANGARIN, PME
General Manager A