



Republic of the Philippines  
**GENERAL SANTOS CITY WATER DISTRICT**  
E. Fernandez Street, Barangay Lagao General Santos  
Telephone No.: 552-3824; Telefax No.: 553-4960  
Email Address: gscwdprocurement@yahoo.com

GPM-014-3

**REQUEST FOR QUOTATION**

RFQ #: 3-0423-033      DATE: 04/26/2023

SUPPLIER: \_\_\_\_\_  
ADDRESS: \_\_\_\_\_  
TELEPHONE NO. : \_\_\_\_\_  
TIN NO. : \_\_\_\_\_

Dear Sir/Madam,

Pls. quote your lowest price on the item/s listed below subject to general condition stating the shortest time of delivery and submit your quotation duly signed by your representative not later than 05/02/2023, Pls. furnish this office the following articles subject to the terms and conditions contained therein.

ITEM NO.	DESCRIPTION	QTY.	UNIT	UNIT PRICE
1	D.I. GATE VALVE 150MM F/F : PN16; WITH HOT DIP GALVANIZE BOLTS & NUTS; 10 YEARS WARRANTY-ABC: PHP 350,000.00	10	pcs.	P
2	D.I. GATEVALVE 200MM F/F : PN16; WITH HOT DIP GALVANIZE BOLTS & NUTS; 10 YEARS WARRANTY-ABC: PHP 500,000.00 ##### nothing follows #####	10	pc	P

Delivery term: \_\_\_\_\_  
Price Validity : \_\_\_\_\_  
Terms of Payment: \_\_\_\_\_

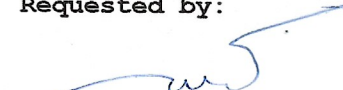
Place of Delivery: GSCWD Bodega

\*\*\*\*No partial delivery allowed\*\*\*\*

Note: 6% WITHHOLDING TAX DEDUCTION

PR NO.: 0323-093

Requested by:

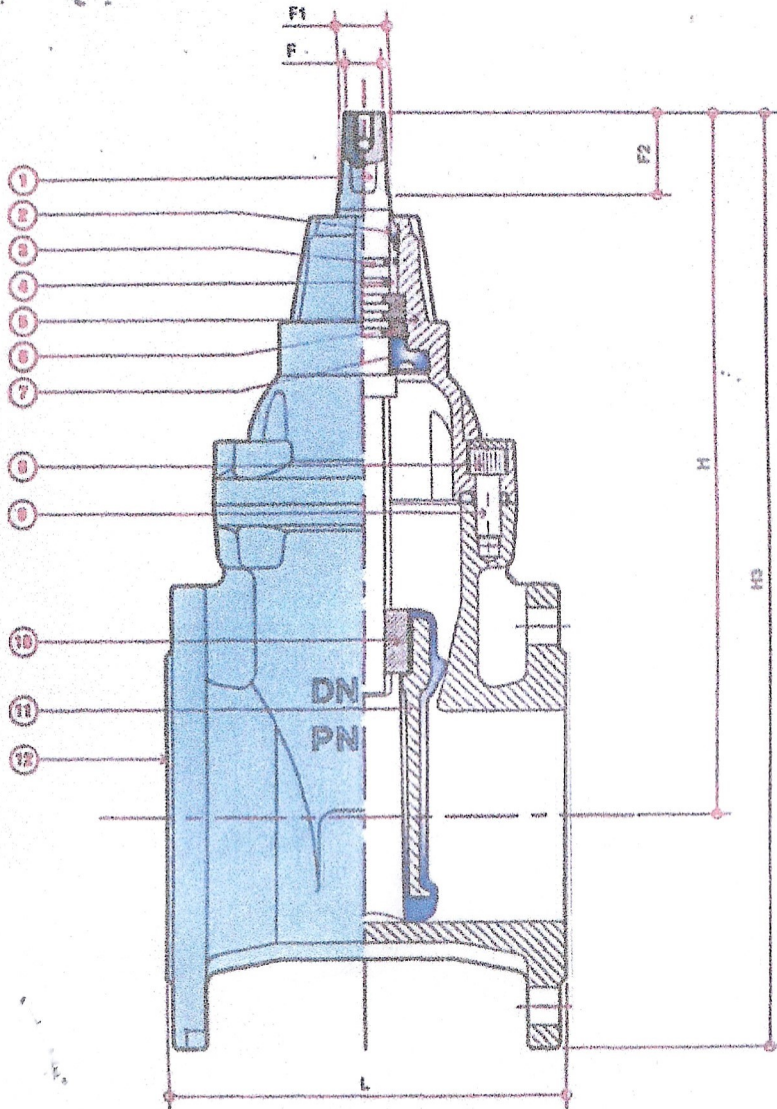
  
**GEZEM R. CABAÑERO**  
MATERIAL PROCUREMENT  
OFFICER A

Price quoted by:

\_\_\_\_\_  
Supplier

\_\_\_\_\_  
Date

# DUCTILE IRON GATE VALVE



**GATE VALVE**

**COMPONENT LIST:**

1. Stem	Stainless steel
2. Wiper Ring	NBR rubber
3. O-ring	NBR rubber
4. Bearing	Polyamide
5. Bonnet	Ductile Iron
6. Thrust Collar	Dezincification Resistant Brass
7. Blanchette	EPDM Rubber
8. Bonnet Bolt	Stainless Steel
9. Bonnet Gasket	EPDM Rubber
10. Wedge Nut	Dezincification Resistant Brass
11. Wedge	Ductile Iron with EPDM Rubber
12. Body	Ductile Iron

**DIMENSIONS:**

DN	Flange drilling	L	H	H3	F	F1	F2	W	Theoretic weight	Flange Hole No.	Bolt Size (Ø x L)
mm(in)		(mm)	(mm)	(mm)	(mm)	(mm)	(mm)	(mm)	(kg)	(pcs)	(mm)
50(2')	PN10/16	178	208	290	14	17	29	165	11	4	15 x 63.5
75(3')	PN10/16	203	282	382	17	20	34	200	18	6	15 x 63.5
100(4')	PN10/16	229	305	415	19	22	34	220	17	6	15 x 63.5
150(6')	PN10/16	267	401	543	19	22	34	285	32	8	18 x 75
200(8')	PN16	292	490	660	24	27	34	340	51	12	18 x 75
250(10')	PN16	330	625	825	27	31	47	400	82	12	21 x 75
300(12')	PN16	365	707	934	27	31	47	465	118	12	25 x 100

**BOLTS:** HOT DIP GALVANIZED WITH NUT AND WASHER.

**GENERAL SANTOS CITY WATER DISTRICT**  
 11. FERNANDOZ STREET, SOGOY, LAGAO, GEN. SANTOS CITY  
 ENGINEERING & CONSTRUCTION DEPARTMENT  
 PLANS AND DESIGN DIVISION  
 TEL. NO. (902) 882 - 3886

<b>PROJECT TITLE / LOCATION</b>	<b>CHECKED BY</b>	<b>REVIEWED BY</b>	<b>APPROVED BY</b>	<b>CONTENT</b>	<b>SHEET NO.</b>
STANDARD SHOP DRAWING FOR D.I. GATE VALVE	 ENGR. DANILLO M. NORLADOR, JR. Project Planning & Development Officer A	 ENGR. MARIA CELIA N. DANDAN OIC, Planning & Design Division	 ENGR. ROGELIO A. BESANA, JR. AGM - Operations & Technical Services	AS SHOWN	
				DRAWN: ESA      REVISION: CHECKED:      DATE: 10 / 03 / 2022	