



Republic of the Philippines
GENERAL SANTOS CITY WATER DISTRICT
E. Fernandez Street, Barangay Lagao General Santos
Telephone No.: 552-3824; Telefax No.: 553-4960
Email Address: gscwdprocurement@yahoo.com

GPM-014-2

REQUEST FOR QUOTATION

RFQ #: 3-0523-035 DATE: 5/18/2023

SUPPLIER: _____
ADDRESS: _____
TELEPHONE NO. : _____
TIN NO. : _____

Dear Sir/Madam,

Pls. quote your lowest price on the item/s listed below subject to general condition stating the shortest time of delivery and submit your quotation duly signed by your representative not later than 5/24/2023, Pls. furnish this office the following articles subject to the terms and conditions contained therein.

ITEM NO.	DESCRIPTION	QTY.	UNIT	UNIT PRICE
1	CONSTRUCTION : SEE DETAILED COST ESTIMATE ATTACHED-ABC: PHP 55,124.79 ##### nothing follows #####	1	LOT	P

Delivery Term: _____
Price Validity : _____
Terms of Payment: _____

Place of Delivery: GSCWD Bodega
*****No partial delivery allowed****
Note: 6% WITHHOLDING TAX DEDUCTION
PR NO.: 0523-020

Requested by:

GEJEM R. CASANERO
MATERIAL PROCUREMENT
OFFICER A

Price quoted by:

Supplier

Date



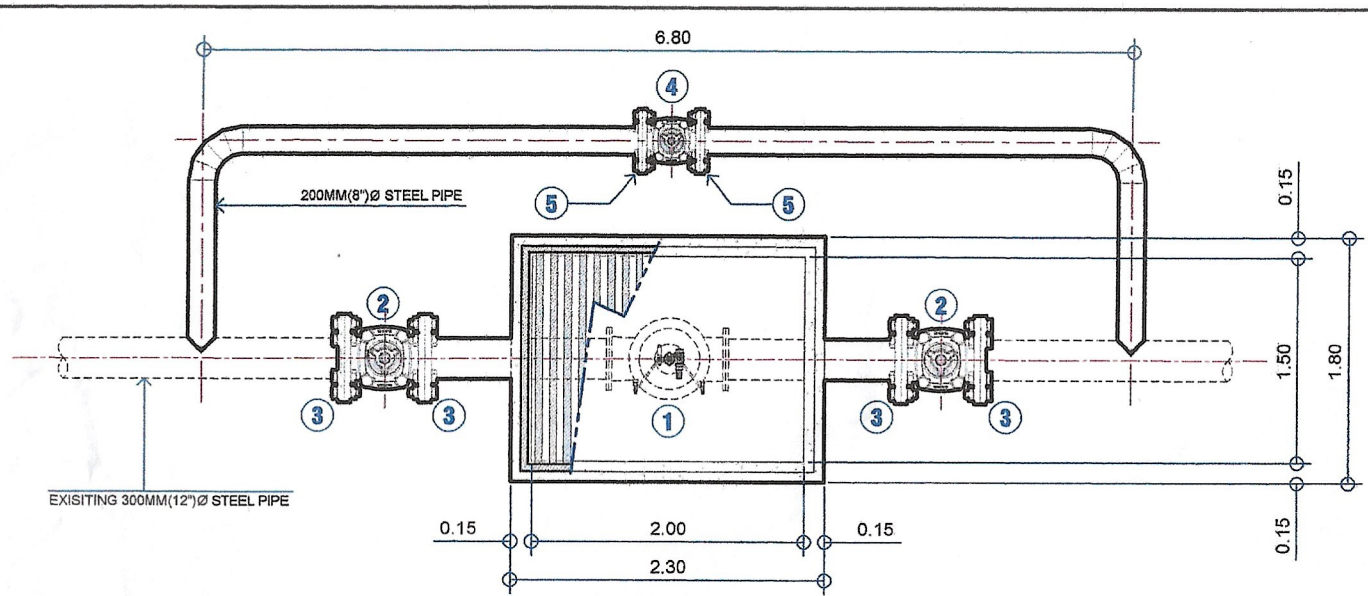
VICINITY MAP



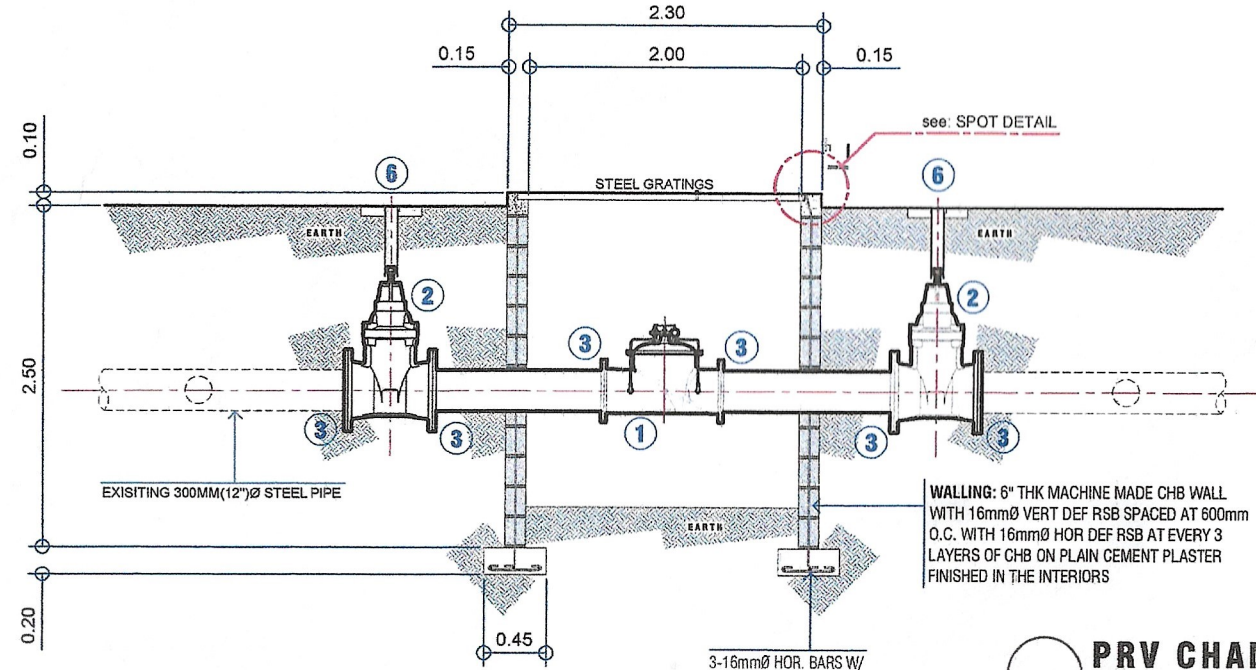
PIPE DISTRIBUTION LAYOUT

GENERAL SANTOS CITY WATER DISTRICT
 E. FERNANDEZ STREET, BRGY. LAGAO, GEN. SANTOS CITY
 ENGINEERING & CONSTRUCTION DEPARTMENT
 PLANNING AND DESIGN DIVISION
 TEL. NO.: (083) 552 - 3824

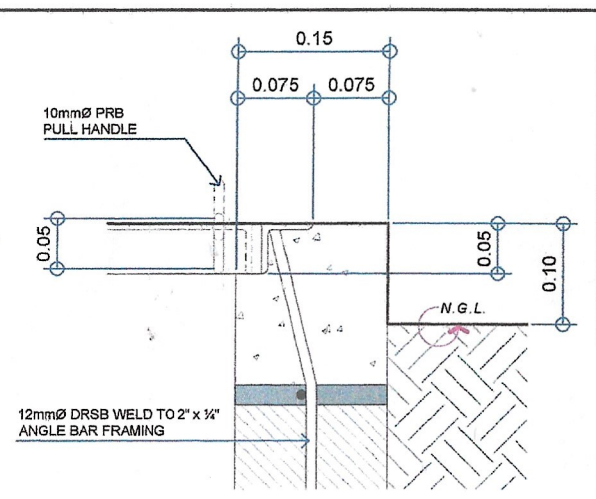
Project Title:	Prepared by:	Checked by:	Reviewed by:	Recommending for approval by:	Approved by:	Contents:	Sheet no.:
Proposed Installation of 300mm(12")Ø Pressure Release Valve with Concrete Chamber						As shown	1
Landfill Road, Brgy. Sinawat, General Santos City	Principal Draftsman B	Project Planning & Dev't Officer A	Acting Dept. Manager - ECD	Acting Asst. General Manager - OTS	Acting General Manager	Revision:	
						Date:	



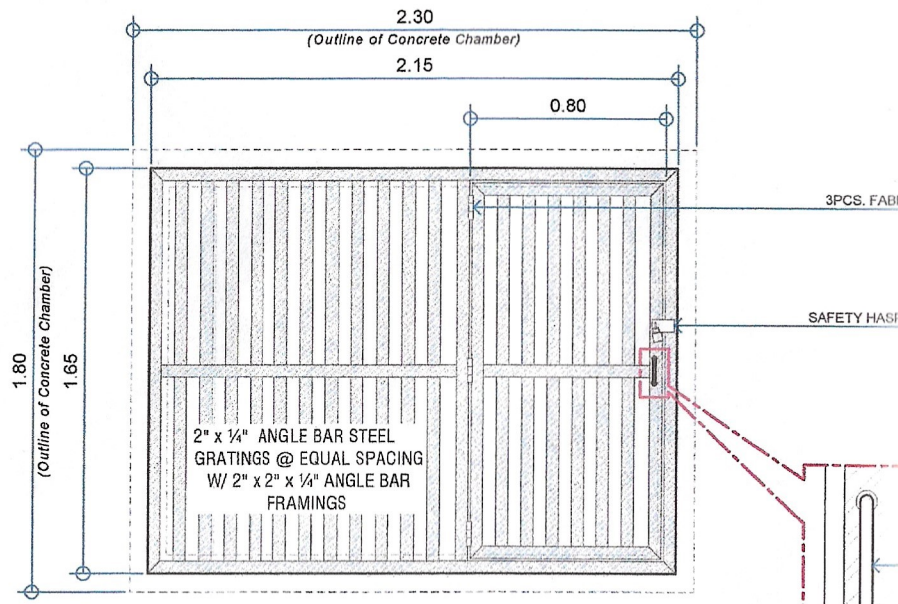
CHAMBER PLAN



CHAMBER SECTION



SPOT DETAIL



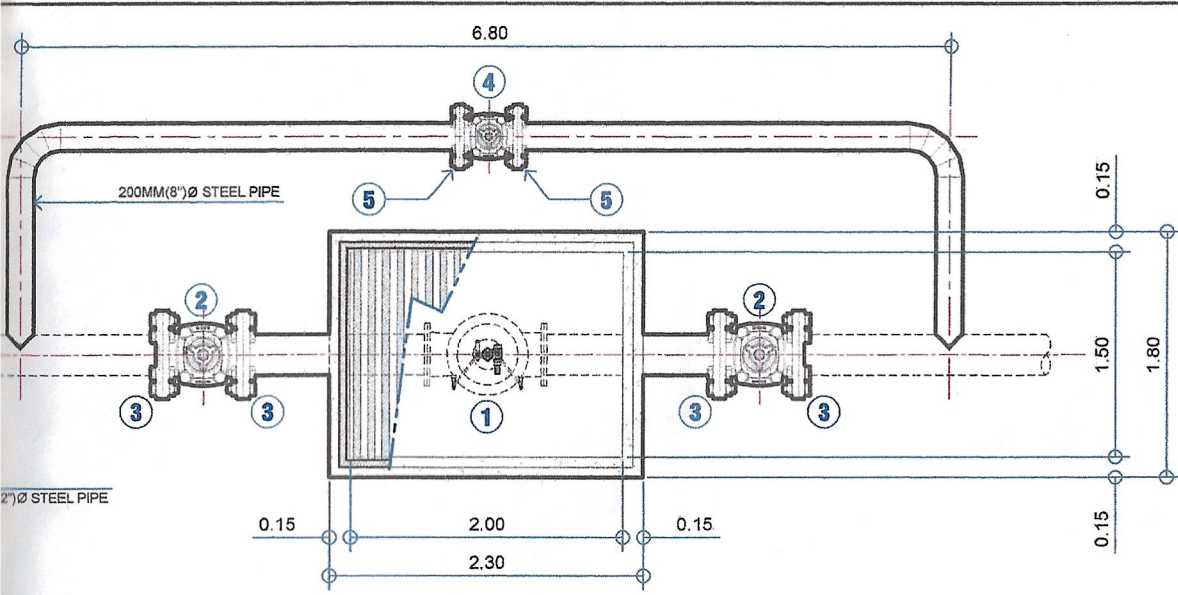
STEEL GRATINGS DETAILS

MATERIALS	
NO.	DESCRIPTION
①	12" Ø PRESSURE RELEASE
②	12" Ø D.I. GATE VALVE, F/F
③	12" Ø STEEL FLANGE
④	8" Ø D.I. GATE VALVE, F/F
⑤	8" Ø STEEL FLANGE
⑥	VALVE BOX COVER
⑦	6" Ø x 20' STEEL PIPE, PRIM

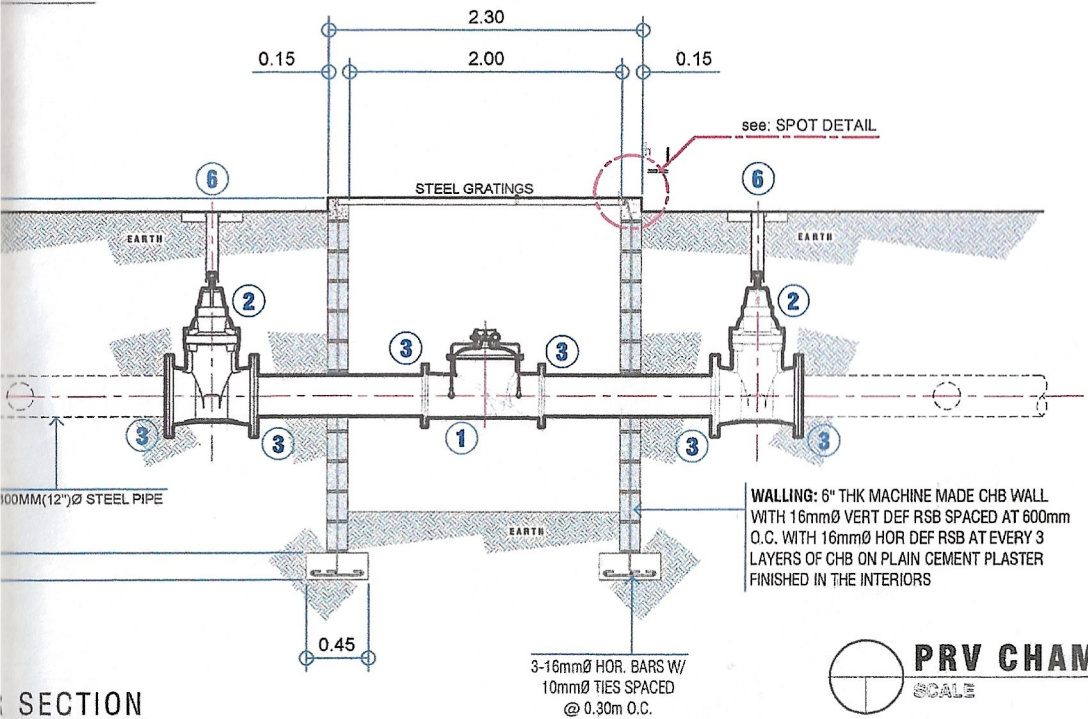
PRV CHAMBER PLAN
SCALE: _____
NTS

GENERAL SANTOS CITY WATER DISTRICT
E. FERNANDEZ STREET, BRGY. LAGAO, GEN. SANTOS CITY
ENGINEERING & CONSTRUCTION DEPARTMENT
PLANNING AND DESIGN DIVISION
TEL. NO.: (083) 552 - 3824

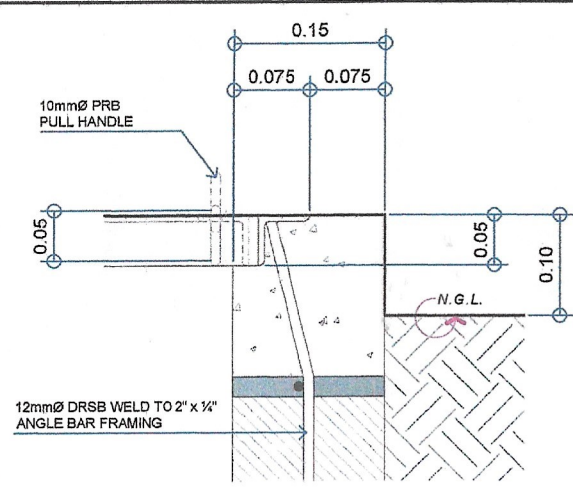
Project Title: Proposed Installation of 300mm(12")Ø Pressure Release Valve with Concrete Chamber Landfill Road, Brgy. Sinawal, General Santos City	Prepared by: <i>[Signature]</i> EL Siegfred D. Alim Principal Draftsman B	Checked by: <i>[Signature]</i> Danilo M. Horlador, CE Project Planning & Dev't Officer A	Reviewed by: <i>[Signature]</i> Maria Celia N. Dandan, CE Acting Dept. Manager - ECD	Recommending for approval by: <i>[Signature]</i> Cornelio T. Torija, Jr., CE Acting Asst. General Manager - OTS	Approved by: <i>[Signature]</i> Rogelio A. Besana, Jr., CE/RMP Acting General Manager	Contents: As shown Revision: Date:
--	--	---	---	--	--	---



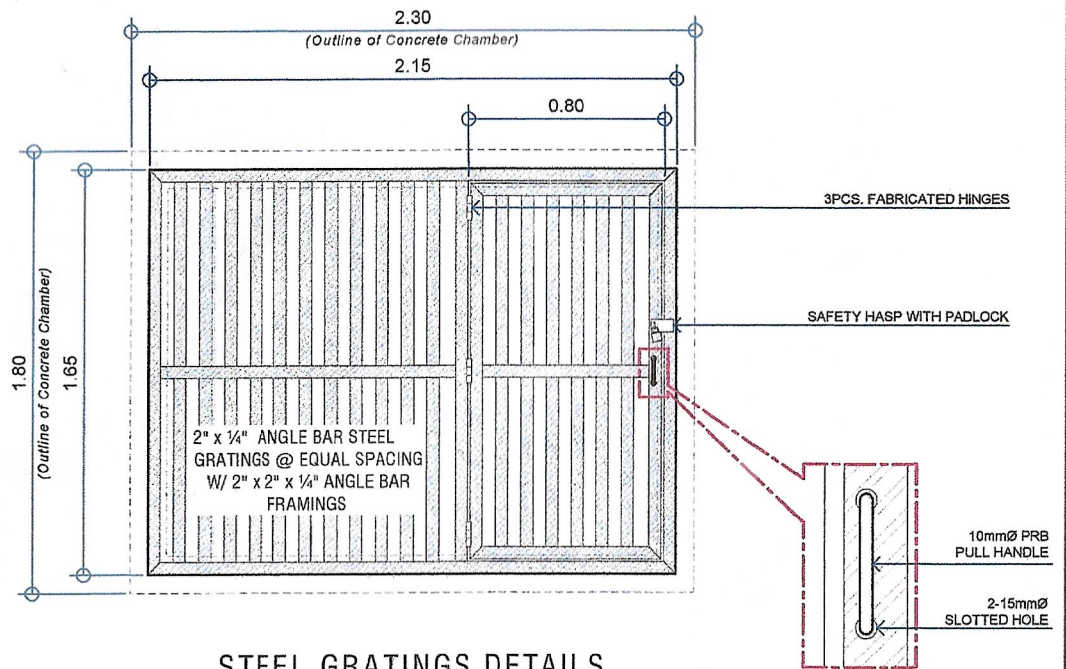
PLAN



SECTION



SPOT DETAIL



STEEL GRATINGS DETAILS

MATERIALS			
NO.	DESCRIPTION	QTY.	UNIT
①	12"Ø PRESSURE RELEASE VALVE	1	pc.
②	12"Ø D.I. GATE VALVE, F/F	2	pcs.
③	12"Ø STEEL FLANGE	6	pcs.
④	8"Ø D.I. GATE VALVE, F/F	1	pc.
⑤	8"Ø STEEL FLANGE	2	pcs.
⑥	VALVE BOX COVER	3	pcs.
⑦	6"Ø x 20' STEEL PIPE, PRIME COATED	2	lgths.

PRV CHAMBER PLAN
SCALE: NTS

GENERAL SANTOS CITY WATER DISTRICT
ENGINEERING & CONSTRUCTION DEPARTMENT
PLANNING AND DESIGN DIVISION
TEL. NO.: (083) 552 - 3824

Project Title:	Prepared by:	Checked by:	Reviewed by:	Recommending for approval by:	Approved by:	Contents:	Sheet no.:
Proposed Installation of 300mm(12")Ø Pressure Release Valve with Concrete Chamber	EL Siegfred D. Alim Principal Draftsman B	Daniel M. Horiador, CE Project Planning & Dev't Officer A	Maria Ceja N. Dandan, CE Acting Dept. Manager - ECD	Cornelio T. Tarija, Jr., CE Acting Asst. General Manager - DTS	Rogelio A. Besana, Jr., CE/RMP Acting General Manager	As shown Revision: Date:	2