



Republic of the Philippines  
GENERAL SANTOS CITY WATER DISTRICT  
E. Fernandez Street, Barangay Lagao General Santos  
Telephone No.: 552-3824; Telefax No.: 553-4960  
Email Address: gscwdprocurement@yahoo.com

GPM-014-2

**REQUEST FOR QUOTATION**

RFQ #: 3-0523-035      DATE: 5/12/2023

SUPPLIER: \_\_\_\_\_  
ADDRESS: \_\_\_\_\_  
TELEPHONE NO. : \_\_\_\_\_  
TIN NO. : \_\_\_\_\_

Dear Sir/Madam,

Pls. quote your lowest price on the item/s listed below subject to general condition stating the shortest time of delivery and submit your quotation duly signed by your representative not later than 5/18/2023, Pls. furnish this office the following articles subject to the terms and conditions contained therein.

ITEM NO.	DESCRIPTION	QTY.	UNIT	UNIT PRICE
1	CONSTRUCTION : SEE DETAILED COST ESTIMATE ATTACHED-ABC: PHP 870,000.00 ##### nothing follows #####	1	LOT	P

Date of Delivery: \_\_\_\_\_  
Price Validity : \_\_\_\_\_  
Terms of Payment: \_\_\_\_\_

Place of Delivery: GSCWD Bodega

\*\*\*\*No partial delivery allowed\*\*\*\*

Note: 6% WITHHOLDING TAX DEDUCTION

PR NO.: 0523-020

Requested by:

**GESEM R. CASANERO**  
MATERIAL PROCUREMENT  
OFFICER A

Price quoted by:

\_\_\_\_\_  
Supplier

\_\_\_\_\_  
Date



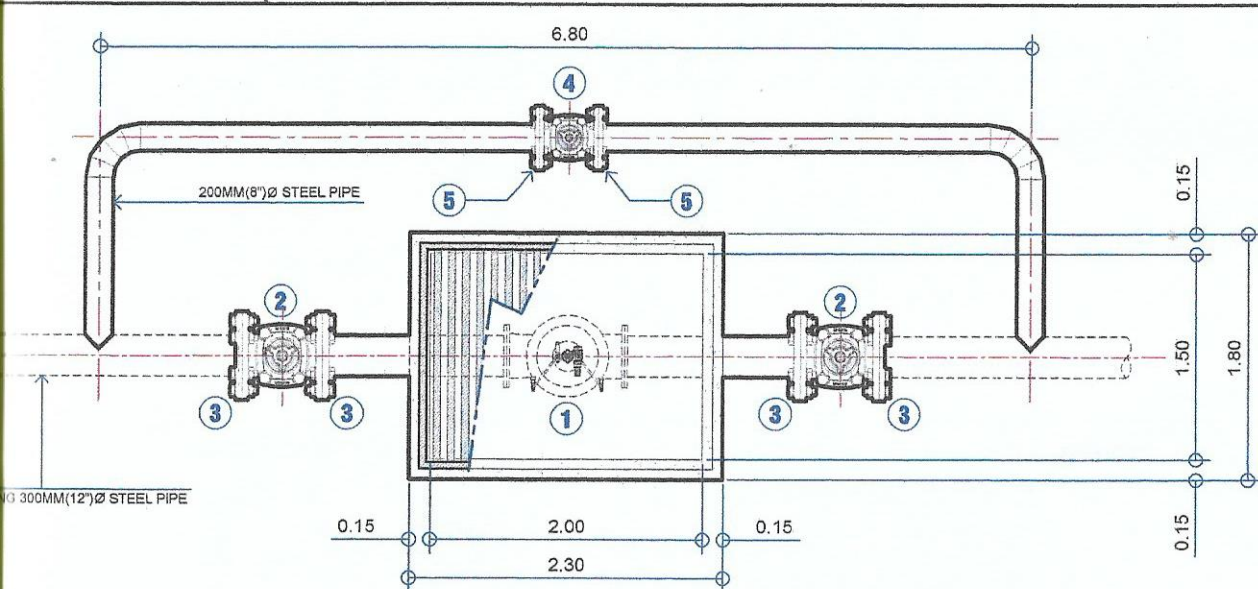
**VICINITY MAP**



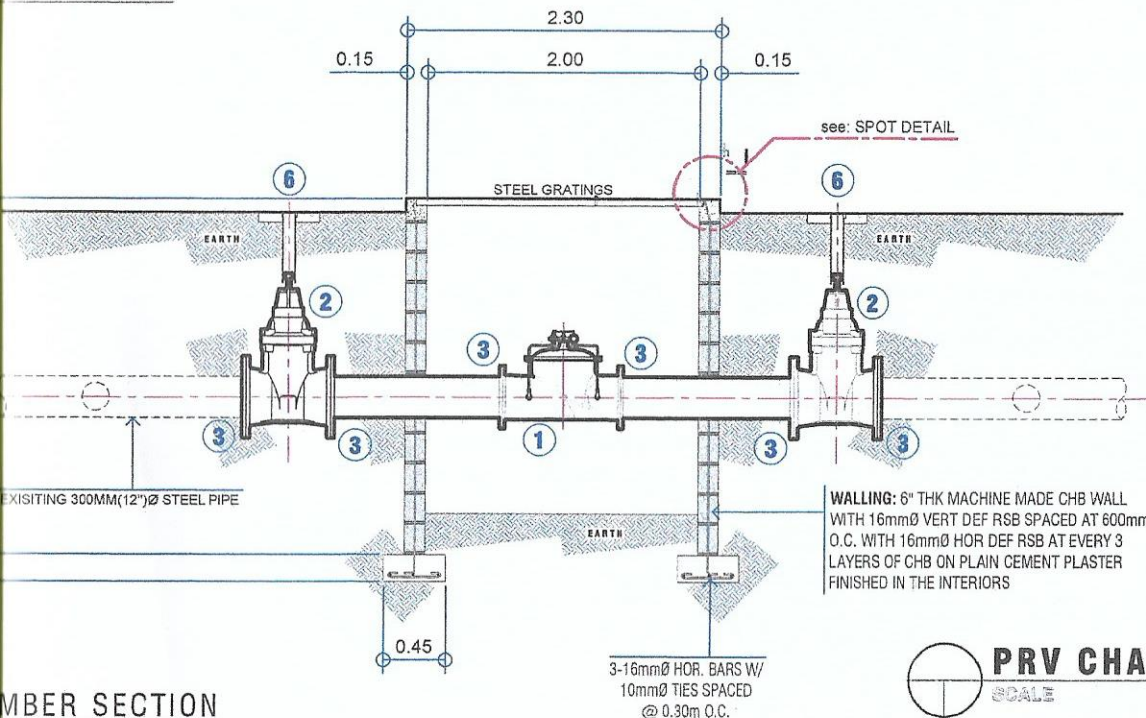
**PIPE DISTRIBUTION LAYOUT**

**GENERAL SANTOS CITY WATER DISTRICT**  
 E. FERNANDEZ STREET, BRGY. LAGAD, GEN. SANTOS CITY  
 ENGINEERING & CONSTRUCTION DEPARTMENT  
 PLANNING AND DESIGN DIVISION  
 TEL. NO.: (083) 552 - 3824

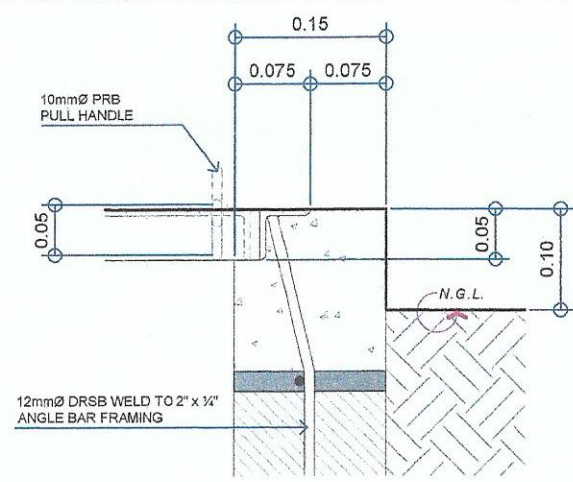
Project Title:	Prepared by:	Checked by:	Reviewed by:	Recommending for approval by:	Approved by:	Contents:	Sheet no.:
Proposed Installation of 300mm(12")Ø Pressure Release Valve with Concrete Chamber	 EL Siegfred D. Alm Principal Draftsman B	 Danilo M. Horlador, Jr., CE Project Planning & Dev't Officer A	 Maria Celia N. Dandan, CE Acting Dept. Manager - ECD	 Conrado T. Turija, Jr., CE Acting Asst. General Manager - OTS	 Rogelio A. Besana, Jr., CE/RMP Acting General Manager	As shown	1
Landfill Road, Brgy. Sinawal, General Santos City						Revision:	
						Date:	



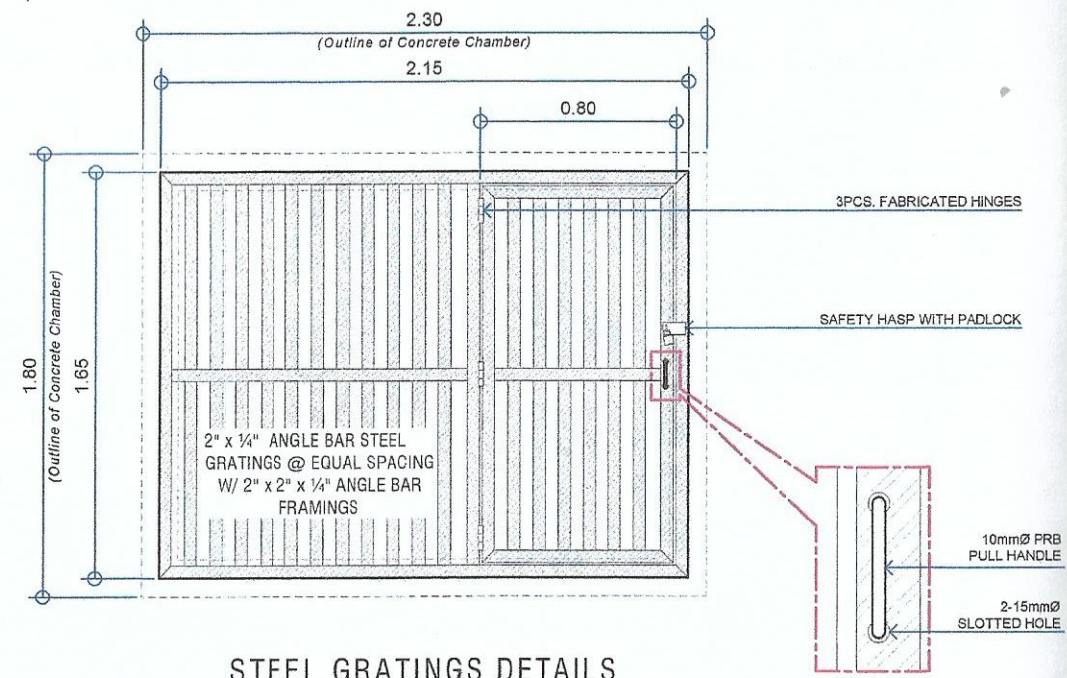
NUMBER PLAN



NUMBER SECTION



SPOT DETAIL



STEEL GRATINGS DETAILS

MATERIALS			
NO.	DESCRIPTION	QTY.	UNIT
①	12"Ø PRESSURE RELEASE VALVE	1	pc.
②	12"Ø D.I. GATE VALVE, F/F	2	pcs.
③	12"Ø STEEL FLANGE	6	pcs.
④	8"Ø D.I. GATE VALVE, F/F	1	pc.
⑤	8"Ø STEEL FLANGE	2	pcs.
⑥	VALVE BOX COVER	3	pcs.
⑦	6"Ø x 20' STEEL PIPE, PRIME COATED	2	lgths.

PRV CHAMBER PLAN  
SCALE NTS

**GENERAL SANTOS CITY WATER DISTRICT**  
 E. FERNANDEZ STREET, BRGY. LAGAO, GEN. SANTOS CITY  
 ENGINEERING & CONSTRUCTION DEPARTMENT  
 PLANNING AND DESIGN DIVISION  
 TEL. NO.: (083) 552 - 3824

Project Title:	Prepared by:	Checked by:	Reviewed by:	Recommending for approval by:	Approved by:	Contents:	Sheet no.:
Proposed Installation of 300mm(12")Ø Pressure Release Valve with Concrete Chamber	EL Siegfred D. Alim	Daniel M. Horlador, CE	Maria Ceja N. Dandan, CE	Cornelio T. Tarjija, Jr., CE	Rogelio A. Besana, Jr., CE/RMP	As shown	2
Landfill Road, Brgy. Sinawal, General Santos City	Principal Draftsman B	Project Planning & Dev't Officer A	Acting Dept. Manager - ECD	Acting Asst. General Manager - OTS	Acting General Manager	Revision:	
						Date:	