



Republic of the Philippines
GENERAL SANTOS CITY WATER DISTRICT
E. Fernandez Street, Barangay Lagao General Santos
Telephone No.: 552-3824; Telefax No.: 553-4960
Email Address: gscwdprocurement@yahoo.com

GPM-014-2

REQUEST FOR QUOTATION

RFQ #: 3-0623-006 DATE: 6/2/2023

SUPPLIER: _____
ADDRESS: _____
TELEPHONE NO. : _____
TIN NO. : _____

Dear Sir/Madam,

Pls. quote your lowest price on the item/s listed below subject to general condition stating the shortest time of delivery and submit your quotation duly signed by your representative not later than 6/8/2023, Pls. furnish this office the following articles subject to the terms and conditions contained therein.

ITEM NO.	DESCRIPTION	QTY.	UNIT	UNIT PRICE
1	CONSTRUCTION/LABOR : PIPELINE EXPANSION, SEE ATTACHED SPECS-ABC: PHP 77,754.60 ##### nothing follows #####	1	LOT	P

Date of Delivery: _____
Price Validity : _____
Terms of Payment: _____

Place of Delivery: GSCWD Bodega

****No partial delivery allowed****

Note: 6% WITHHOLDING TAX DEDUCTION

PR NO.: 0523-092

Requested by:

Price quoted by:

Supplier

Date


ANDREW H. NADAL JR.
Administration Services Assistant A



Republic of the Philippines
GENERAL SANTOS CITY WATER DISTRICT
E. Fernandez St., Brgy. Lagao, General Santos City
Telephone No. (083) 552-3824/ Telefax No. (083) 553-4960
E-mail Address: gscwaterdistrict@yahoo.com
www.gensanwater.gov.ph



Project Name: **PIPELINE EXPANSION**
Location : **ARRADAZA ST. TO GENSANVILLE, BRGY. BULA, GSC**
Owner : **GENERAL SANTOS CITY WATER DISTRICT**
Charge to : **CAPEX NO. 7 - SERVICE EXPANSION**

SCOPE OF WORKS

1. The CONTRACTOR shall merely provide manpower, equipment and digging tools to undertake pipe trench excavation and backfilling.
2. The CONTRACTOR shall provide transportation of his manpower going to the project site.
3. The CONTRACTOR shall excavate pipe trench in accordance with the District standard of 0.91 meter depth and 0.45m width for the 150mm dia. UPVC pipe and perform backfilling after the installation of pipe, valves and fittings.
4. The CONTRACTOR shall excavate pipe trench with of an estimated length of more or less 1038 meters.
5. The CONTRACTOR shall follow the instruction given by the GSCWD representative for the alignment of pipe trench and its limit to avoid open trench and accident to the public.
6. The GSCWD shall provide necessary warning signs during the implementation of the project.
7. The GSCWD personnel shall be responsible for the hauling and installation of pipes, fittings, valves and other appurtenances to complete the project.
8. The GSCWD personnel shall be responsible for the conduct of leak test and disinfection of the newly laid pipe.
9. The GSCWD shall pay the CONTRACTOR upon request for work accomplished and final payment upon completion of the project. The request for payment shall be evaluated by the GSCWD representative.
10. In condition of the payment to be made by the GSCWD to the CONTRACTOR as hereinafter mentioned, the CONTRACTOR hereby covenants with GSCWD to complete the work in conformity in all respect with the provisions and conditions of the CONTRACT.

Safe Water... Our Thrust, Our Service, Our Commitment.



Republic of the Philippines
GENERAL SANTOS CITY WATER DISTRICT
E. Fernandez St., Brgy. Lagao, General Santos City
Telephone No. (083) 552-3824/ Telefax No. (083) 553-4960
E-mail Address: gscwaterdistrict@yahoo.com
www.gensanwater.gov.ph



11. The employee of the CONTRACTOR is not an employee of GSCWD and any incident happen during the execution of the contract, the GSCWD is not liable for any expenses or reimbursement incurred for medical purposes.

SPECIAL PROVISION

1. Inspection of Project Site

The Contractor shall inspect the site of the work in order to satisfy themselves by personal examination and/or by such other means as they may prefer, of the location of the proposed work and the actual visualization of the work to be done. He should be aware of the conditions which might affect the execution of this contract and has made provisions therefore in his bid.

2. Liquidated Damages (LD)

The Contractor shall pay liquidated damages to the Owner if he fails to complete the work within the time agreed upon. It is understood that said payment is not a penalty but a fixed sum representing the liquidated damages for each calendar day of delay.

Computation of the said liquidated damages shall conform to the provision of RA 9184.


3. Time Extension

The Contractor may be entitled to an extension of Contract time;

- a. If the work has been suspended by the Owner in whole or in part.
- b. Under force majeure (i.e. flood, blockade, earthquake, civil disorder, etc.) provided, in either case, the Contractor be not at fault and is not negligent under the terms of the contract.

4. The contractor who has been awarded, but has not yet completed the same project to be quoted is not allowed to join the process unless it is already finished.

Prepared by:


GENNO S. TIGOL, CE
Engineering Assistant – MERCWD

Approved by:


CORNELIO T. TURIYA, JR, CE
Acting AGM, Operation and
Technical Services


Checked and Reviewed by:

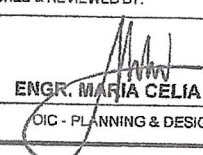
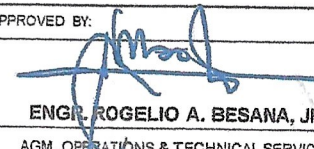

MARIA CELIA N. DANDAN, CE
OIC, Engineering and Construction Department

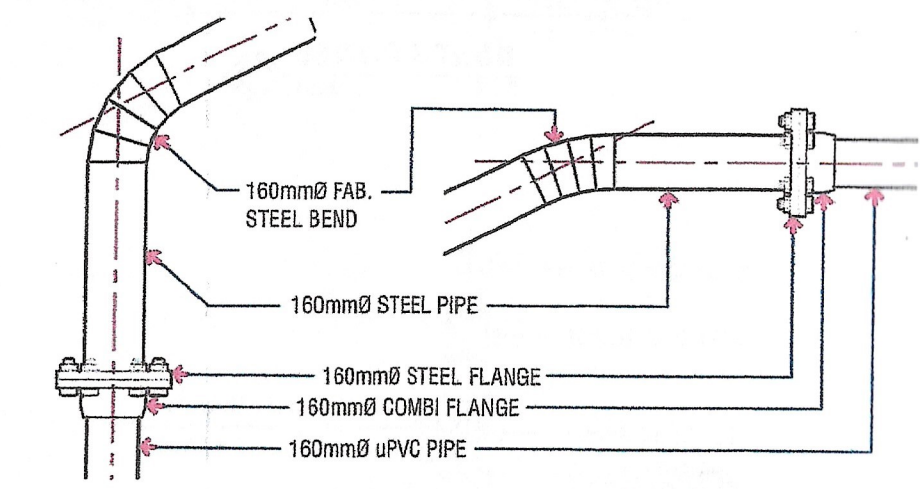
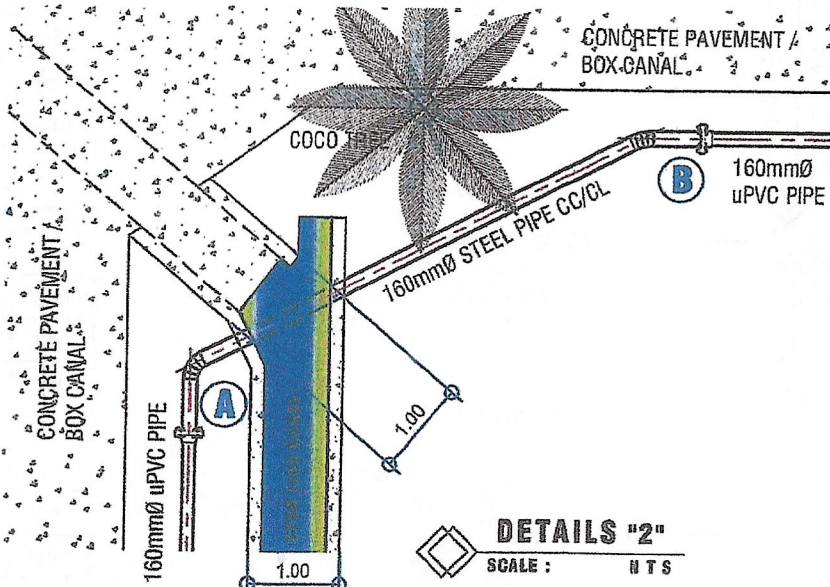
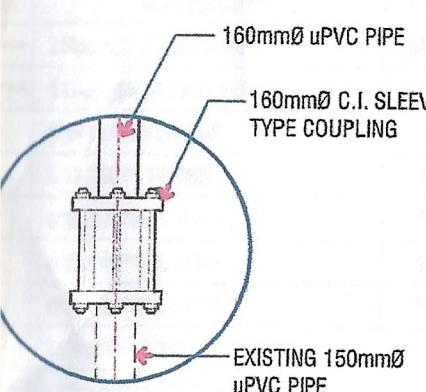
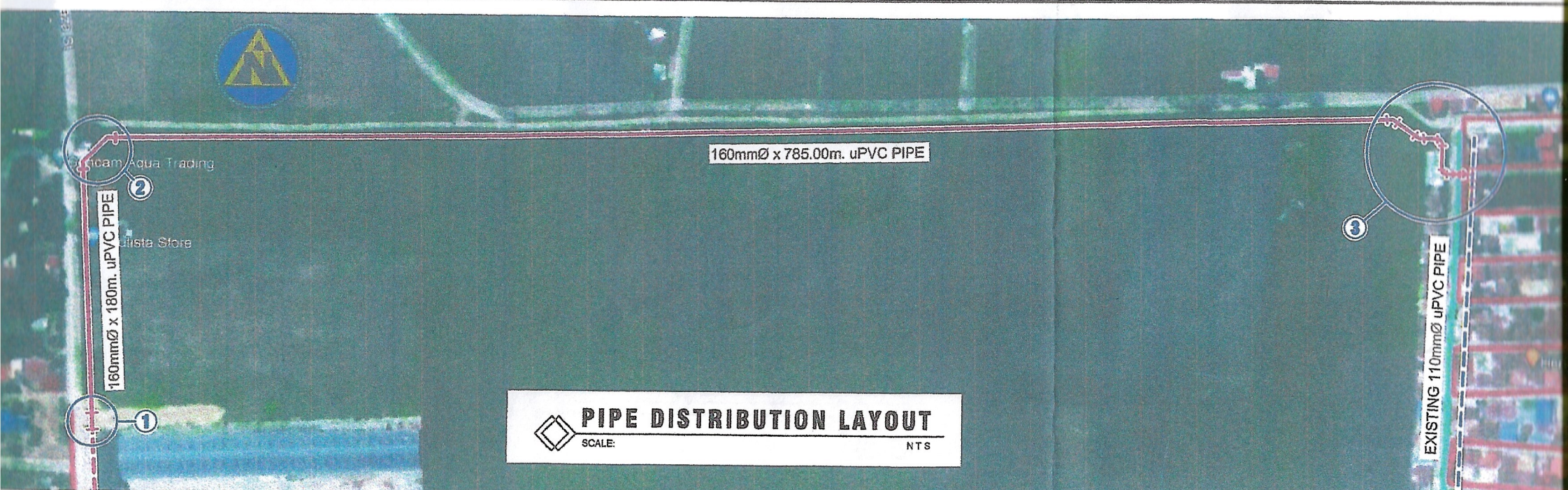
Safe Water... Our Thrust, Our Service, Our Commitment.




LOCATION PLAN
 SCALE: _____ NTS


GENERAL SANTOS CITY WATER DISTRICT
 E. FERNANDEZ STREET, BRGY. LAGAO, GER. SANTOS CITY
 ENGINEERING & CONSTRUCTION DEPARTMENT
 PLANNING AND DESIGN DIVISION
 TEL. NO.: (083) 552 - 3824

PROJECT TITLE / LOCATION:	CHECKED & REVIEWED BY:	APPROVED BY:	CONTENT:
PROPOSED DISTRIBUTION PIPELINE EXPANSION ARADAZA ST. TO GENSANVILLE SUBD., BRGY. LAGAO, GSC	 ENGR. MARIA CELIA N. DANDAN OIC - PLANNING & DESIGN DIVISION	 ENGR. ROGELIO A. BESANA, JR. AGM, OPERATIONS & TECHNICAL SERVICES	AS SHOWN
			DRAWN: TTP CHECKED: MCND



DETAILS "1"
SCALE : N T S

DETAILS "2"
SCALE : N T S

DETAILS "2-A"
SCALE : N T S

DETAILS "2-B"
SCALE : N T S

<p>GENERAL SANTOS CITY WATER DISTRICT E. FERNANDEZ STREET, BRGY. LAGAO, GEN. SANTOS CITY ENGINEERING & CONSTRUCTION DEPARTMENT PLANNING AND DESIGN DIVISION TEL. NO.: (083) 552 - 3824</p>	PROJECT TITLE / LOCATION:	CHECKED & REVIEWED BY:	APPROVED BY:	CONTENT:	SHEET NO.
	PROPOSED DISTRIBUTION PIPELINE EXPANSION	ENGR. MARIA CELIA N. DANDAN	ENGR. ROGELIO A. BESANA, JR.	AS SHOWN	2
	ARADAZA ST. TO GENSANVILLE SUBD., BRGY. LAGAO, GSC	OIC - PLANNING & DESIGN DIVISION	AGM, OPERATIONS & TECHNICAL SERVICES	DRAWN: TTP CHECKED: MCND	REVISION: DATE: JUNE 07, 2022

160mmØ x 785m. uPVC PIPE

160mmØ x 25m. uPVC PIPE

160mmØ x 45° C.I. BEND M/M

160mmØ x 15m. uPVC PIPE

160mmØ x 90° C.I. BEND M/M

160mmØ x 6m. uPVC PIPE

160mmØ COMBI FLANGE

160mmØ D.I. GATE VALVE, F/F

160mmØ COMBI FLANGE

160mmØ x 90° C.I. BEND M/M

160mmØ x 110mmØ uPVC SOCKET REDUCER

CONCRETE PAVEMENT

CANAL

150mmØ STEEL PIPE

150mmØ COMBI FLANGE

3.40 1.30 1.00

SECTION THRU

SCALE : N T S

EXISTING 110mmØ uPVC PIPE

110mmØ C.I. SLEEVE TYPE COUPLING

110mmØ C.I. TEE EQUAL M/M

EXISTING 110mmØ uPVC PIPE

SHR

PIPELINE

NO.	DESCRIPTION	QTY.	UNIT
	160mm(6")Ø uPVC PIPE	170	lgths
	110mm(4")Ø uPVC PIPE	1	lgth
1	6"Ø COMBI FLANGE	4	pcs
2	6"Ø STEEL FLANGE	2	pcs
3	6"Ø D.I. GATE VALVE, F/F	1	pc
4	6"Ø x 45° C.I. BEND	2	pcs
5	6"Ø x 90° C.I. BEND	2	pcs
6	6"Ø SLEEVE TYPE COUPLING	1	pc
7	6"Ø x 4"Ø uPVC SOCKET REDUCER	1	pc
8	4"Ø C.I. TEE EQUAL, M/M	1	pc
9	4"Ø SLEEVE TYPE COUPLING	1	pc
10	6"Ø STEEL PIPE, CC/CL	2	lgths

DETAILS "3"

SCALE : N T S