



Republic of the Philippines
 GENERAL SANTOS CITY WATER DISTRICT
 E. Fernandez Street, Barangay Lagao General Santos
 Telephone No.: 552-3824; Telefax No.: 553-4960
 Email Address: gscwdprocurement@yahoo.com

GPM-014-2

REQUEST FOR QUOTATION

RFQ #: 3-0722-016 DATE: 07/06/2022

SUPPLIER: _____
 ADDRESS: _____
 TELEPHONE NO. : _____
 TIN NO. : _____


Dear Sir/Madam,

Pls. quote your lowest price on the item/s listed below subject to general condition stating the shortest time of delivery and submit your quotation duly signed by your representative not later than 07/12/2022, Pls. furnish this office the following articles subject to the terms and conditions contained therein.

ITEM NO.	DESCRIPTION	QTY.	UNIT	UNIT PRICE
1	CONSTRUCTION/LABOR AND MATERIALS : ABC: PHP 87916.86 ##### nothing follows #####	1	LOT	P

Date of Delivery: _____
 Price Validity : _____
 Terms of Payment: _____

Place of Delivery: GSCWD Bodega
 *****No partial delivery allowed*****
 Note: 6% WITHHOLDING TAX DEDUCTION
 PR NO.: 0722-002

Requested by: _____

GESEM R. CABANERO
 MATERIAL PROCUREMENT
 OFFICER A

Price quoted by:

 Supplier

 Date



Republic of the Philippines
GENERAL SANTOS CITY WATER DISTRICT
E. Fernandez St. Lagao, General Santos City
Telephone No. (083) 552-3824/ Telefax No. (083) 553-4960
E-mail Address: gscwaterdistrict@yahoo.com



PROJECT DESCRIPTION

Project Name : PROPOSED INSTALLATION OF 8"Ø
DISTRIBUTION STEEL PIPE

Location : PS NO. 4, PRK. MASUNURIN, BRGY. SAN
ISIDRO, GENERAL SANTOS CITY

Undertaken by : CONTRACT

Estimated Amount : 87,916.86

Charge to : _____

Date Started : UPON APPROVAL

Project Duration : 15 CALENDAR DAYS

Procurement, Quality Control and Property Division

Received by: CHEEZAMOR R. DIAZ

Date Received: 7/5/22 Time: 5:00 PM



Republic of the Philippines
GENERAL SANTOS CITY WATER DISTRICT

E. Fernandez St. Lagao, General Santos City
 Telephone No. (083) 552-3824/ Telefax No. (083) 553-4960
 E-mail Address: gscwaterdistrict@yahoo.com



Project: **PROPOSED INSTALLATION OF 8"Ø DISTRIBUTION STEEL PIPE**
 Location: **PS NO. 4, PRK. MASUNURIN, BRGY. SAN ISIDRO, GENERAL SANTOS CITY**
 Owner: **GENERAL SANTOS CITY WATER DISTRICT**
 Subject: **BILL OF QUANTITIES**

ITEM NO.	DESCRIPTION	QUANTITY	UNIT	UNIT COST	AMOUNT
A.	CONCRETE	1	LOT		
a.	Concrete Works with Compressive Strength of 3000 psi @ 28 day.				
a1.	Concrete Well Casing				
a2.	Concrete Pipe Support				
B.	PIPE WORKS	1	LOT		
a.	Installation of 200mm(8")Ø Steel Pipe, Shop Prime (Exposed Pipe).				
b.	Installation of 200mm(8")Ø Steel Pipe, CC/CL (Embedded Pipe), Including Painting of Pipes.				
c.	Furnishing & Installation of 200mm(8")Ø Steel Flange.				
d.	Installation of Sole Plate Assembly and its accessories in accordance with the approved plan.				
e.	Furnishing & Installation 2"Ø Brass Gate Valve, 2"Ø G.I. Pipe Nipple, 2"Ø Steel Flange and its accessories in accordance with the approved plan.				
f.	Installation 2"Ø D.I. Air Release Valve and Furnishing of Hot Dip Galvanized Bolts w/ nuts and washers.				
g.	Fabrication & Installation 200mm(8")Ø Fabricated Steel Bends.				
TOTAL PROJECT COST					

NOTE:

PLEASE REFER TO APPROVED PLANS FOR FURTHER DETAILS

Submitted by: _____
 Name of Bidder representative: _____
 Position: _____
 Name of Bidder: _____





Republic of the Philippines
GENERAL SANTOS CITY WATER DISTRICT
 E. Fernandez st., Brgy. Lagao
 General Santos City



Project: **PROPOSED INSTALLATION OF 8"Ø DISTRIBUTION STEEL PIPE**
 Location: **PS NO. 4, PRK. MASUNURIN, BRGY. SAN ISIDRO, GENERAL SANTOS CITY**
 Owner: **GENERAL SANTOS CITY WATER DISTRICT**

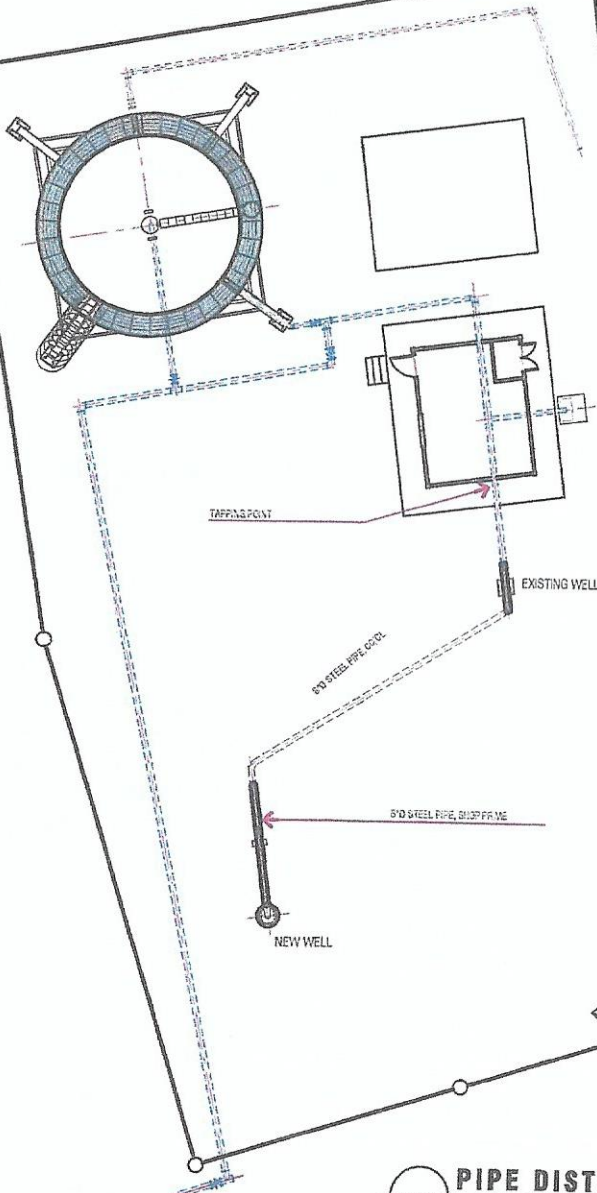
CONSTRUCTION GANTT CHART																
DESCRIPTION		1	2	3	4	5	6	7	8	9	10	11	12	13	14	15
1.	Concrete Works															
	a. Formworks	■														
	b. Concreting of Well Casing	■	■													
2.	Piping Works															
	a. Installation of Steel Pipes			■	■	■	■	■	■	■	■	■	■	■	■	■
	b. Installation of Air Release Valve														■	
	c. Removal of Existing Pipeline															■
	d. Tap to Existing Pipeline															■

Prepared By:

EL SIEFRED D. ALIM
 Principal Draftsman

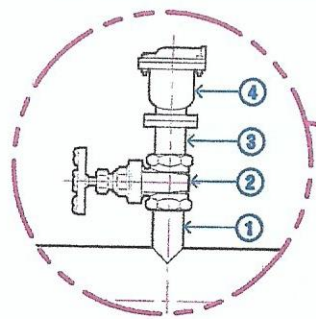
Checked & Reviewed by:

ENGR. MARIA CELIA N. DANDAN
 OIC - Planning & Design Division

Approved by:

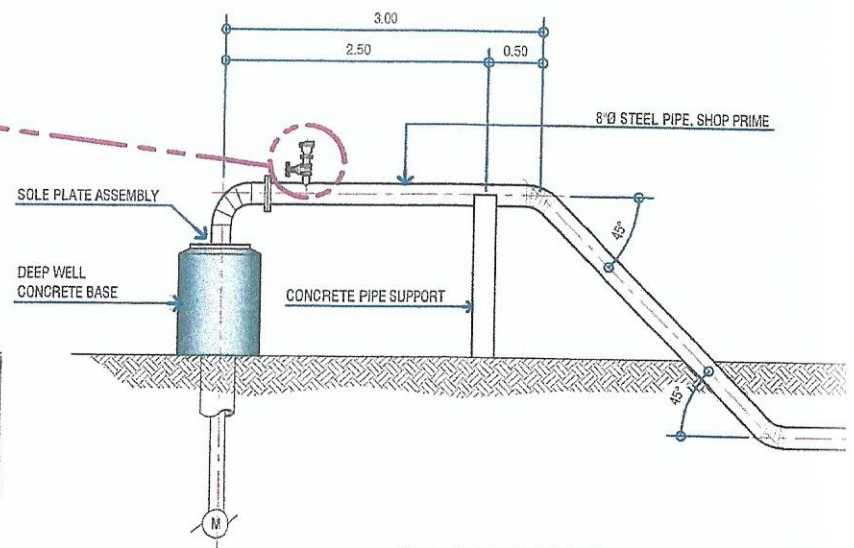
ENGR. ROGELIO A. BESANA, JR.
 AGM - Operations & Technical Services



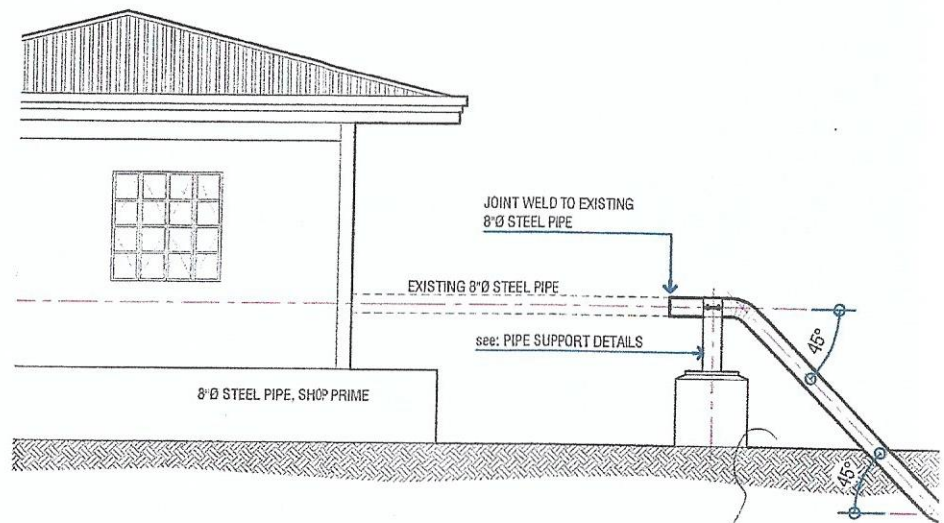
PIPE DISTRIBUTION LAYOUT
SCALE: 1 : 275 MM



MATERIALS			
NO.	DESCRIPTION	QTY.	UNIT
①	2" Ø x 3' G.I. PIPE NIPPLE	1	pc.
②	2" Ø BRASS GATE VALVE	1	pc.
③	2" Ø x 3' G.I. PIPE NIPPLE W/ STEEL FLANGE	1	pc.
④	2" Ø D.I. AIR RELEASE VALVE	1	pc.



ELEVATION



ELEVATION



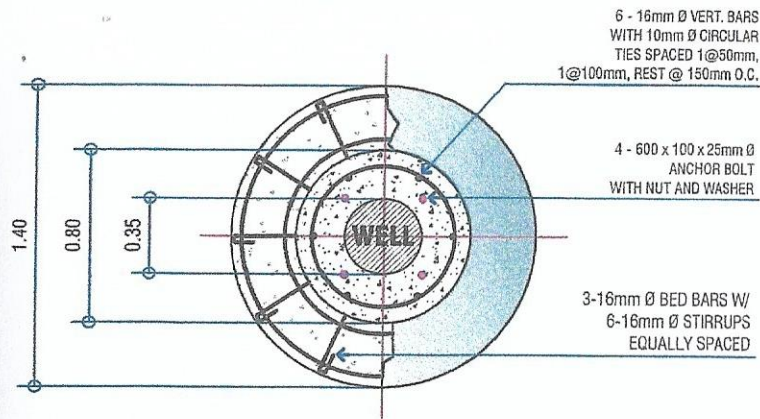
GENERAL SANTOS CITY WATER DISTRICT
E. FERNANDEZ STREET, BRGY. LAGAO, GEN. SANTOS CITY
ENGINEERING & CONSTRUCTION DEPARTMENT
PLANNING AND DESIGN DIVISION
TEL. NO.: (083) 552 - 3824

PROJECT TITLE / LOCATION:
INSTALLATION OF 8" Ø DISTRIBUTION STEEL PIPE

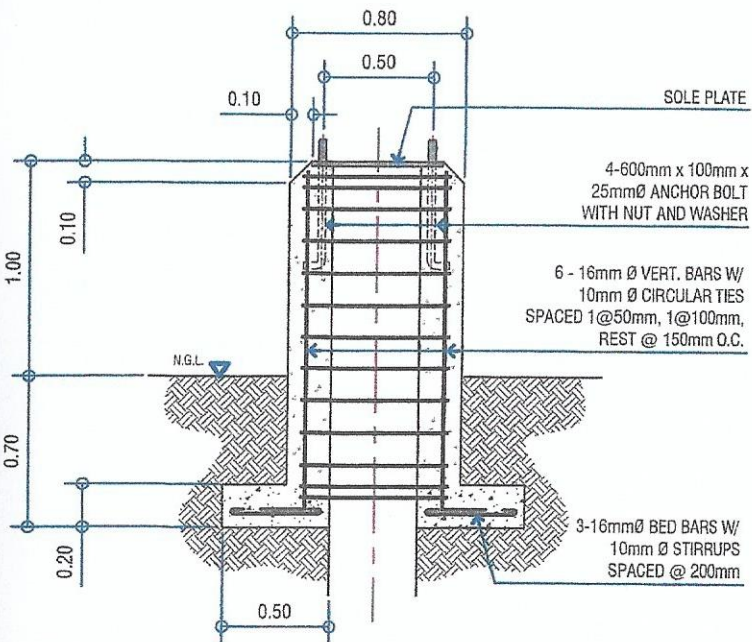
CHECKED & REVIEWED BY:
[Signature]
ENGR. MARIA CELIA N. DANDAN

APPROVED BY:
[Signature]
ENGR. ROGELIO A. BESANA, JR.

CONTENT:
AS SHOWN
DRAWN: JEUNG REVISION:

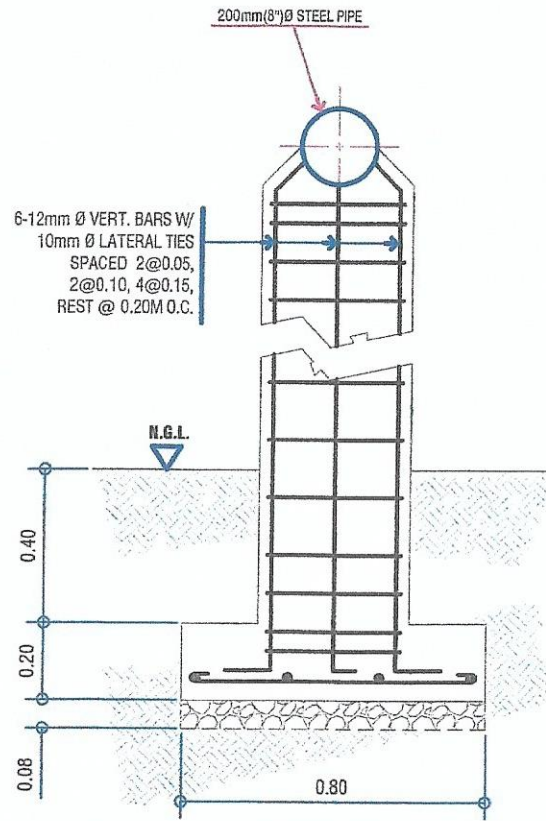


PLAN

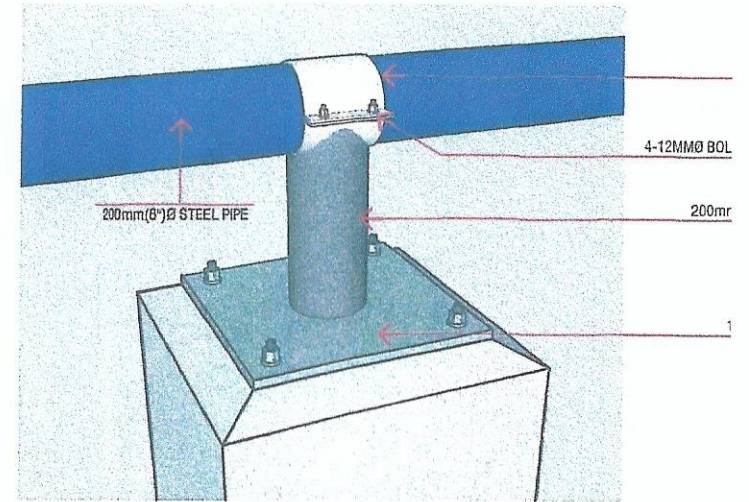


SECTION

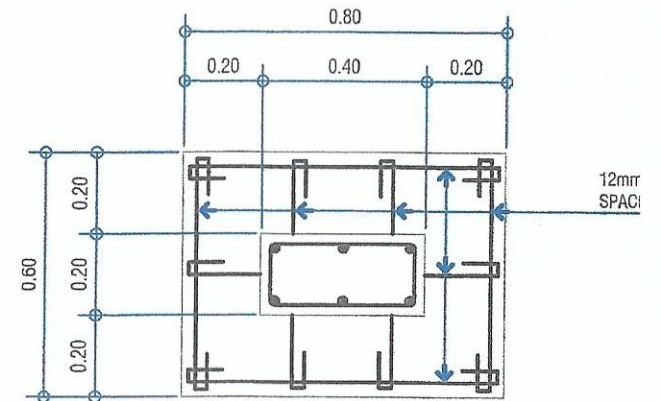
PIPE DISTRIBUTION LAYOUT
SCALE: 1 : 35 MM



SECTION



PIPE SUPPORT DETAILS
SCALE: NTS



PLAN

CONCRETE PIPE SUPPORT DETAILS
SCALE: NTS



GENERAL SANTOS CITY WATER DISTRICT
E. FERNANDEZ STREET, BRGY. LAGAO, GEN. SANTOS CITY
ENGINEERING & CONSTRUCTION DEPARTMENT
PLANNING AND DESIGN DIVISION

PROJECT TITLE / LOCATION:
INSTALLATION OF 8"Ø DISTRIBUTION STEEL PIPE

CHECKED & REVIEWED BY:
[Signature]
ENGR. MARIA CELIA N. DANDAN

APPROVED BY:
[Signature]
ENGR. ROGELIO A. BESANA, JR.

CONTENT:
AS SHOWN
DRAWN: JEUNG REVISION:



SCOPE OF WORK

Project Title: **Activation of New Production Well (PS No.4)**

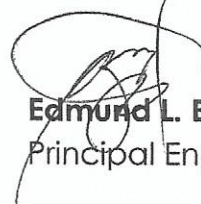
Location: Purok Masunurin, San Isidro, General Santos City

1. The contractor shall supply and deliver necessary materials, painting, labor, equipment, tools, power, water consumables and supervision for the completion of the proposed project as shown on plan and technical drawings.
2. The project duration is fifteen (15) Calendar Days and shall commence Five (5) Days after the receipt of Notice to proceed.
3. The contractor shall fabricate and install needed fittings and other appurtenances as shown and specified, and as required for a complete and workable piping system.
4. Steel Pipes, Air Release Valve and Sleeve Type Coupling shall be supplied by GSCWD, whereas installation shall be done by the contractor including supply of steel flanges, bolts & nuts, rubber gasket and its accessories.
5. Painting works :
 - a. Discharge pipes:
 - 1st and 2nd coat: Epoxy Enamel Paint; Ultra-Marine Blue, Gloss
 - b. Concrete:
 - 1st and 2nd coat: Latex Paint; Ultra-Marine Blue, Gloss
6. The winning bidder shall inform the assigned representative of GSCWD prior to start painting works.
7. All costs shall be shouldered by the winning bidder.
8. All works shall be observed by authorized representative of General Santos City Water District.
9. Warranty under normal condition shall be granted by service provider.
10. Accomplishment report and recommendations shall be submitted after work completion.

Prepared by:


Lorevin V. Evangelio, RMEE
Engineering Asst. B

Checked by:


Edmund L. Badal, REE
Principal Engineer C, WQPEMD