



Republic of the Philippines  
**GENERAL SANTOS CITY WATER DISTRICT**  
 E. Fernandez Street, Barangay Lagao General Santos  
 Telephone No.: 552-3824; Telefax No.: 553-4960  
 Email Address: gscwdprocurement@yahoo.com

GPM-014-2

**REQUEST FOR QUOTATION**

RFQ #: 3-0722-019      DATE: 07/06/2022

SUPPLIER: \_\_\_\_\_  
 ADDRESS: \_\_\_\_\_  
 TELEPHONE NO. : \_\_\_\_\_  
 TIN NO. : \_\_\_\_\_

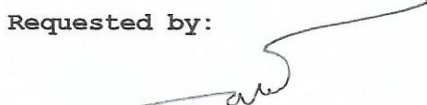
Dear Sir/Madam,

Pls. quote your lowest price on the item/s listed below subject to general condition stating the shortest time of delivery and submit your quotation duly signed by your representative not later than 07/12/2022, Pls. furnish this office the following articles subject to the terms and conditions contained therein.

ITEM NO.	DESCRIPTION	QTY.	UNIT	UNIT PRICE
1	STEEL FLANGE 200MM : 8 HOLES (PLEASE SEE ATTACHED SHOP DRAWING)-ABC: PHP 72,000.00 ##### nothing follows #####	12	pcs.	P

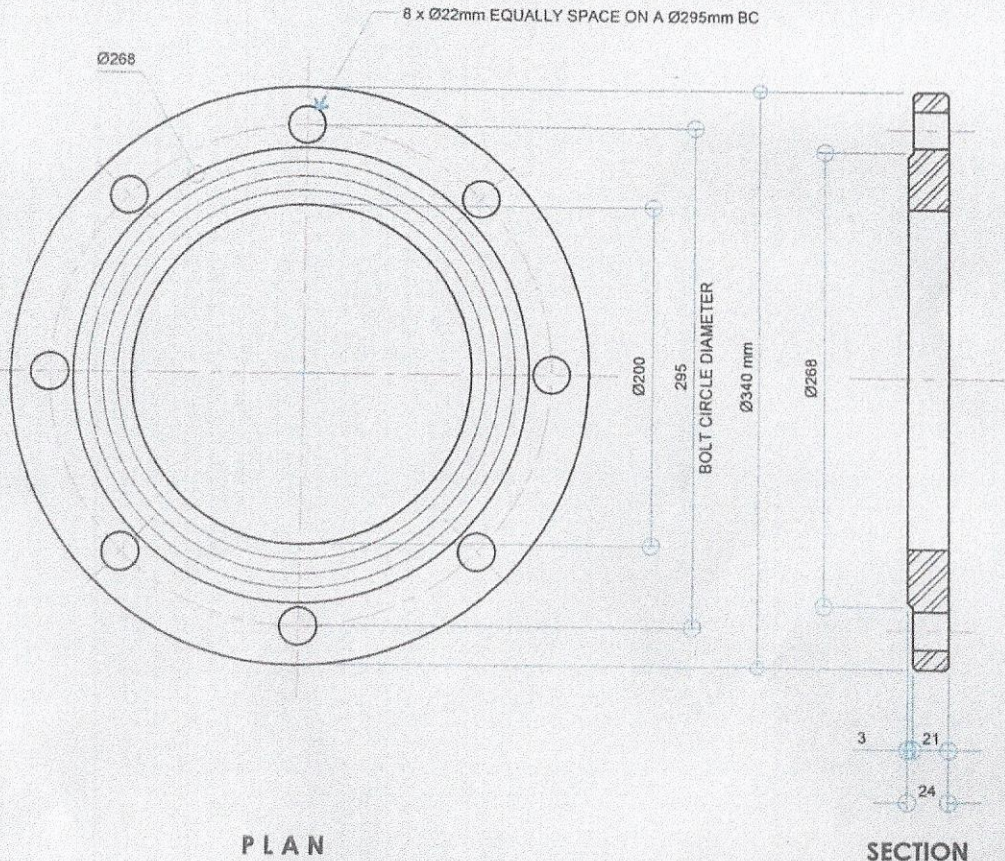
Date of Delivery: \_\_\_\_\_  
 Price Validity : \_\_\_\_\_  
 Terms of Payment: \_\_\_\_\_

Place of Delivery: GSCWD Bodega  
 \*\*\*\*\*No partial delivery allowed\*\*\*\*\*  
 Note: 6% WITHHOLDING TAX DEDUCTION  
 PR NO.: 0622-053

Requested by:  
  
**GESEM R. CABANERO**  
 MATERIAL PROCUREMENT  
 OFFICER A

Price quoted by:  
 \_\_\_\_\_  
 Supplier  
 \_\_\_\_\_  
 Date





PLAN

SECTION

DESCRIPTION:	SHOP DRAWING OF 200mm(8")Ø STEEL FLANGE
--------------	---

CHECKED BY:	ENGR. MICHAEL G. GABALES MANAGER A - POD
-------------	---

REVIEWED BY:	ENGR. ROGELIO A. BESANA, JR. MANAGER A - FCD
--------------	---

APPROVED BY:	ENGR. ARN B. GELLANGARIN GENERAL MANAGER A
--------------	---

CONTENT:	AS SHOWN
DRAWN	RRA
CHECKED	MGG
REVISION:	DATE: Mar. 2020

SHEET NO.:	1
------------	---