



Republic of the Philippines
GENERAL SANTOS CITY WATER DISTRICT
E. Fernandez Street, Barangay Lagao General Santos
Telephone No.: 552-3824; Telefax No.: 553-4960
Email Address: gscwdprocurement@yahoo.com

GPM-014-2

REQUEST FOR QUOTATION

RFQ #: 3-0822-040 DATE: 08/15/2022

SUPPLIER: _____
ADDRESS: _____
TELEPHONE NO. : _____
TIN NO. : _____

Dear Sir/Madam,

Pls. quote your lowest price on the item/s listed below subject to general condition stating the shortest time of delivery and submit your quotation duly signed by your representative not later than 08/19/2022, Pls. furnish this office the following articles subject to the terms and conditions contained therein.

ITEM NO.	DESCRIPTION	QTY.	UNIT	UNIT PRICE
1	STEEL FLANGE 100MM : FABRICATION OF STEEL FLANGE-PLEASE SEE ATTACHED DRAWING-ABC: PHP 110,000.00 ##### nothing follows #####	30	pcs.	P

Date of Delivery: _____
Price Validity : _____
Terms of Payment: _____

Place of Delivery: GSCWD Bodega
*****No partial delivery allowed****
Note: 6% WITHHOLDING TAX DEDUCTION
PR NO.: 0722-083

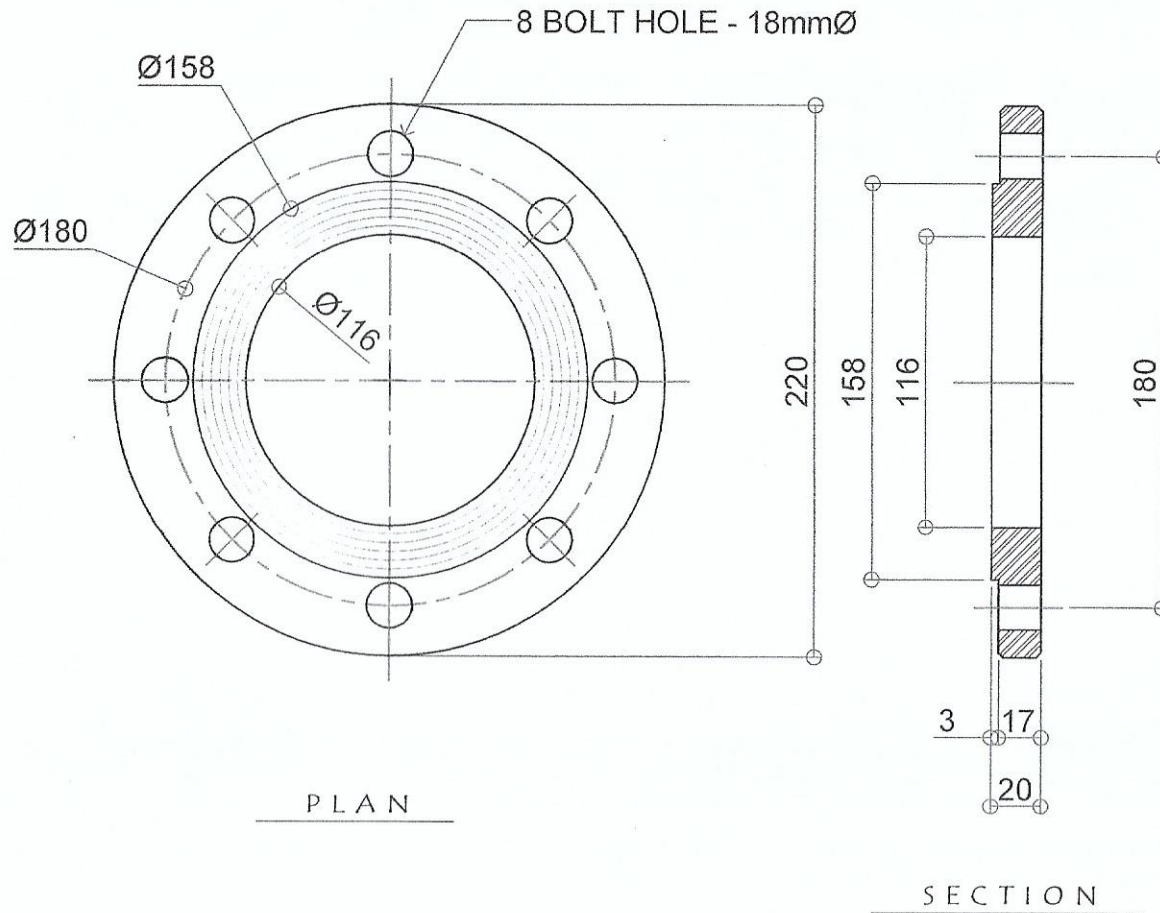
Requested by: _____


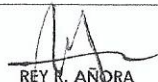
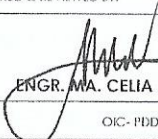
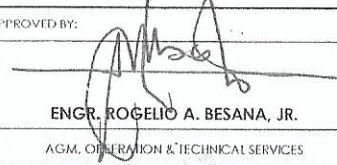
GESEM R. CABANERO
MATERIAL PROCUREMENT
OFFICER A

Price quoted by:

Supplier

Date



 <p>GENERAL SANTOS CITY WATER DISTRICT E. FERNANDEZ STREET, BRGY. LAGAO, GEN. SANTOS CITY ENGINEERING & CONSTRUCTION DEPARTMENT PLANNING AND DESIGN DIVISION TEL. NO.: (083) 552-3824</p>	MATERIALS DESCRIPTION:	PREPARED BY:	CHECKED & REVIEWED BY:	APPROVED BY:	CONTENT:
	SHOP DRAWING OF 100mmØ STEEL FLANGE	 REY R. ANORA ENGINEERING AIDE	 ENGR. MA. CELIA N. DANDAN OIC- PDD	 ENGR. ROGELIO A. BESANA, JR. AGM, OPERATION & TECHNICAL SERVICES	A: DRAWN: CHECKED: