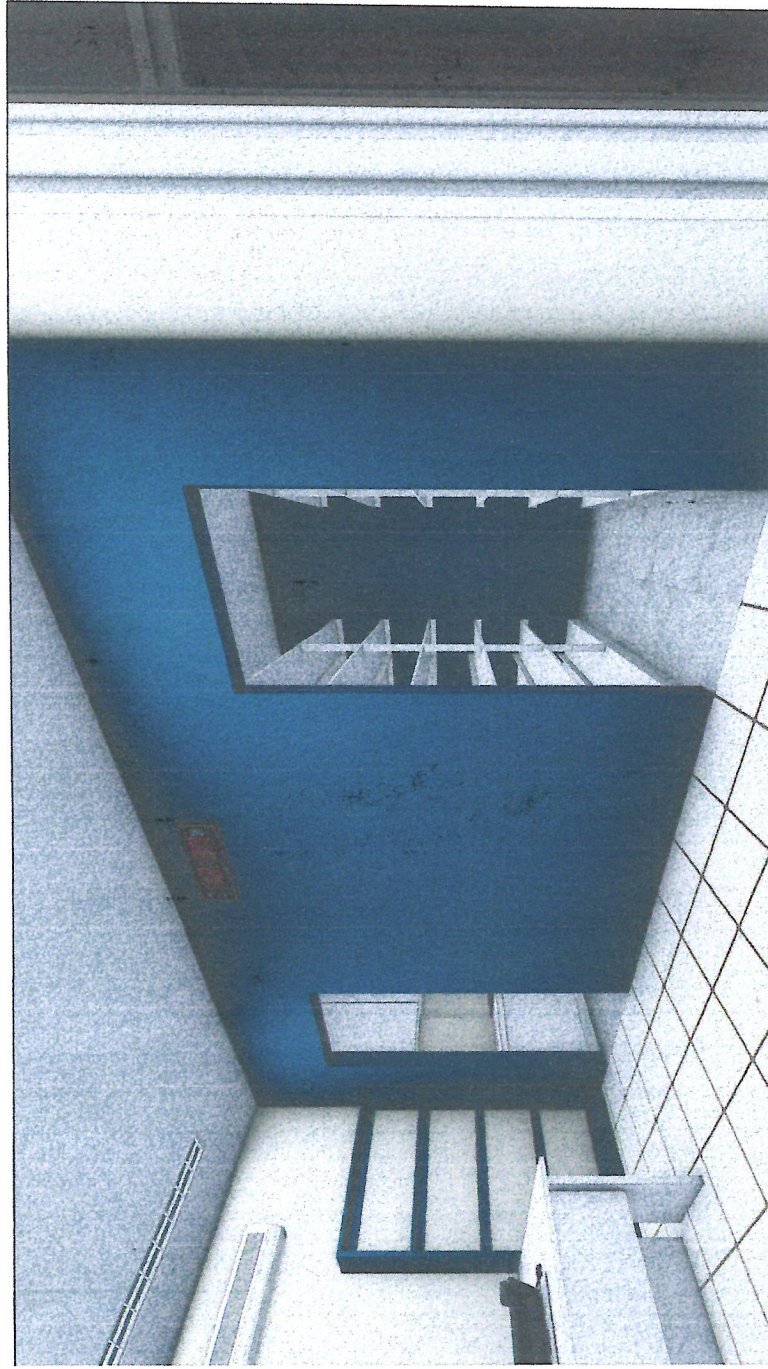
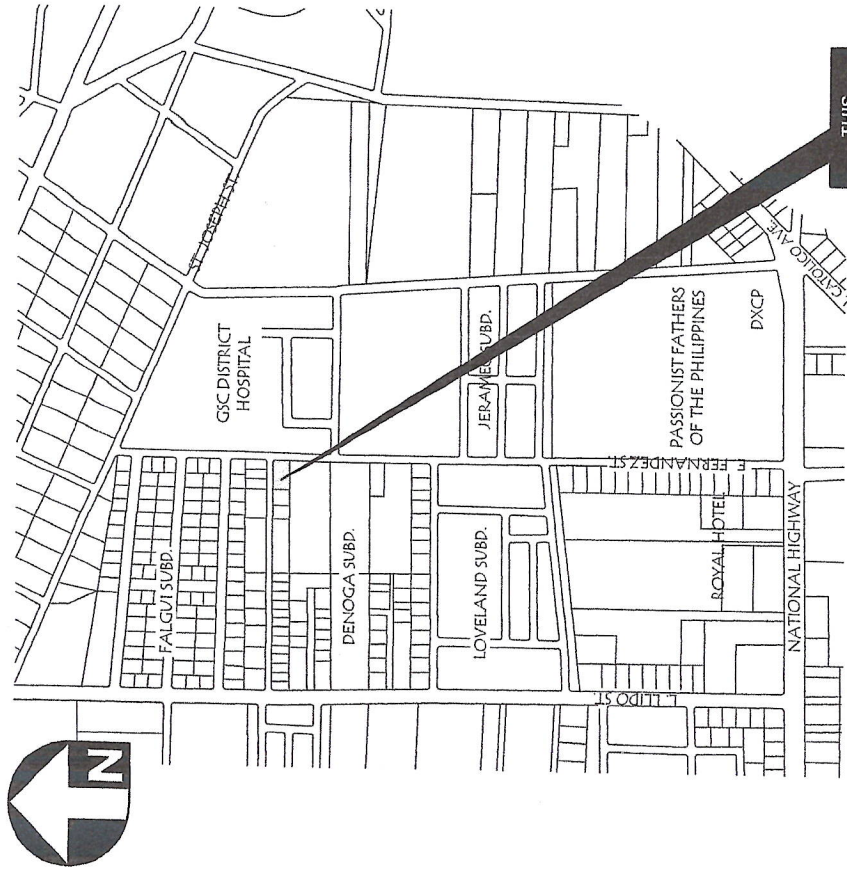




**PLANNING SECTION**

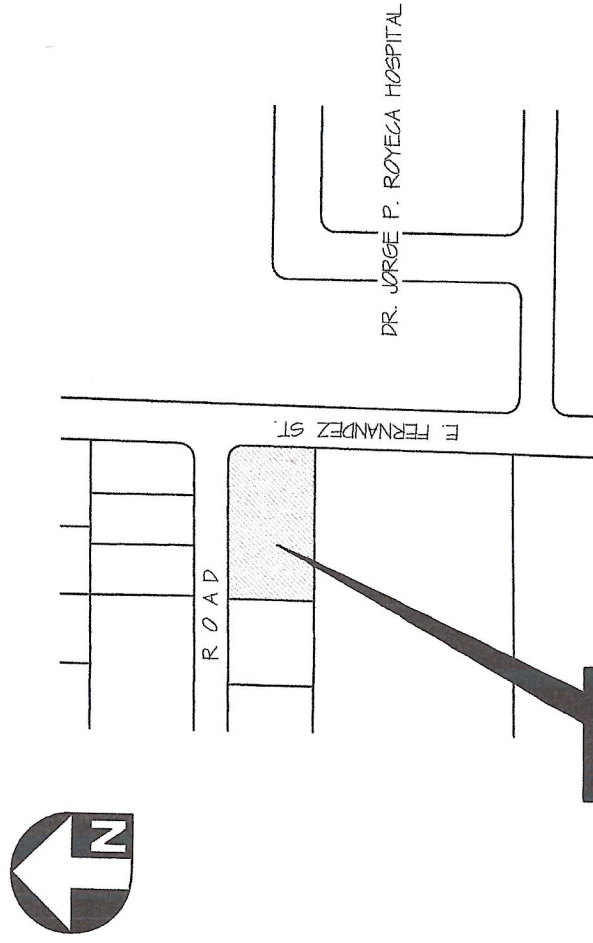


**DESIGN SECTION**



**02 VICINITY MAP**  
B-01 NOT TO SCALE

**THIS SITE**



**03 LOCATION PLAN**  
B-01 NOT TO SCALE

**THIS SITE**

**01 PERSPECTIVES**  
B-01 NOT TO SCALE

PROJECT AND LOCATION  
**RENOVATION & EXTENSION OF PDD OFFICE**  
ADDRESS: 65000 PUNAN RD., E. FERNANDEZ ST., LAGAO

CHECKED BY  
**DANILO M. HORLADOR, JR., CE**  
Project Planning & Development Officer A

REVIEWED BY  
**ENGR. MARIA CELIA N. DANDAN**  
Admin. Department Manager, ECD

RECOMMENDED APPROVAL  
**ENGR. CORNELIO T. TURJUA, JR.**  
Admin. & CRM Operations & Technical Services

APPROVED:  
*[Signature]*  
**ENGR. ROSELIO A. BESANA, JR.**  
Acctg. General Manager

SHEET CONTENTS  
**AS SHOWN**

SHEET NO.  
**B-01**

DRAWN BY: *[Signature]*  
REV. NO.  
DATE: July 2025

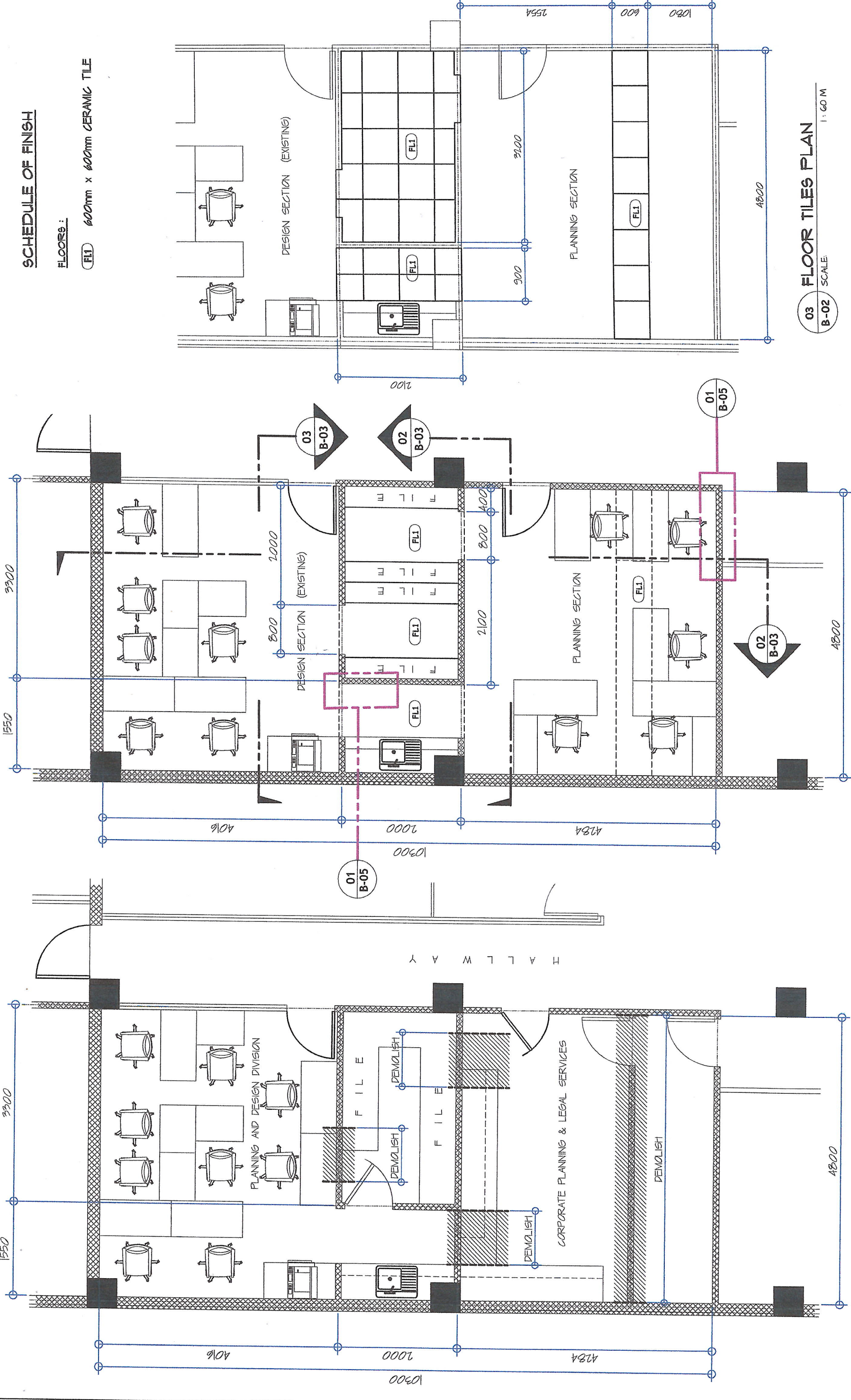
CHECKED BY:  
**01**



**SCHEDULE OF FINISH**

FLOORS :

(FL1) 600mm x 600mm CERAMIC TILE



**01 FLOOR PLAN (EXISTING)**  
SCALE: 1 : 60 M

**02 FLOOR PLAN (PROPOSED)**  
SCALE: 1 : 60 M

**03 FLOOR TILES PLAN**  
SCALE: 1 : 60 M

**GENERAL SANTOS CITY WATER DISTRICT**  
E. FERNANDEZ STREET, BRGY. LAGA, GEN. SANTOS CITY  
ENGINEERING & CONSTRUCTION DEPARTMENT  
PLANNING AND DESIGN DIVISION  
TEL. NO.: (083) 552-3824

**RENOVATION & EXTENSION OF PDD OFFICE**  
PROJECT AND LOCATION:  
MAYOR: HON. MARVIN B. FERRELLER, P.Eng

CHECKED BY: *[Signature]*  
DANILO M. HORLADOR, JR., CE  
Project Planning & Designing Officer-A

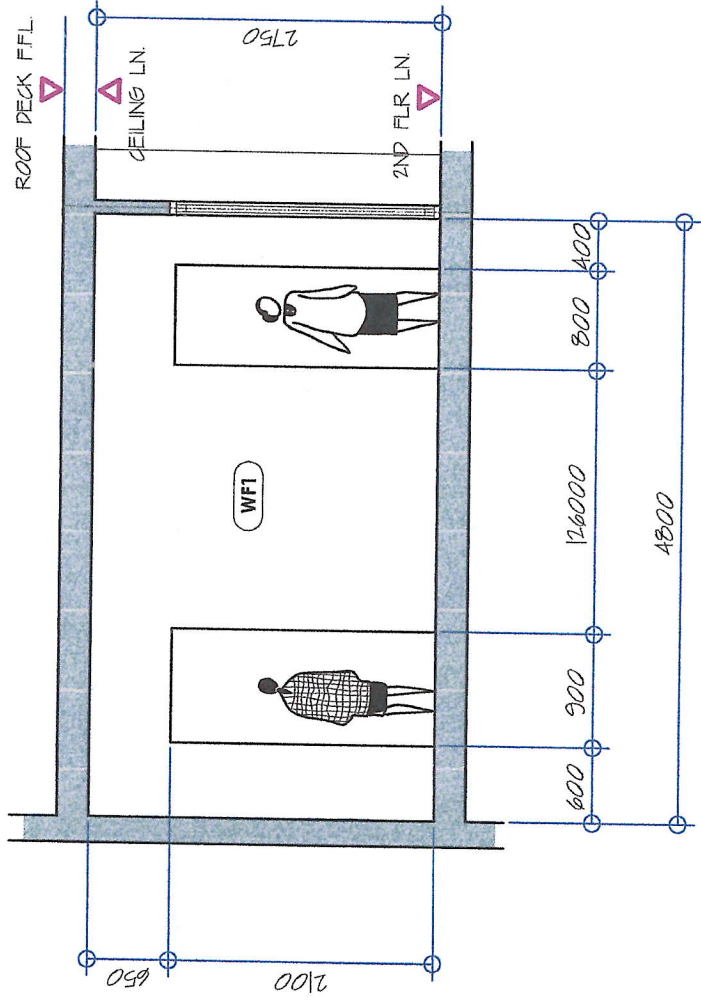
REVIEWED BY: *[Signature]*  
ENGR. MARIA CELIA N. DANDAN  
Asst. Department Manager, ECD

RECOMMEND APPROVAL: *[Signature]*  
ENGR. CORNELIO T. TURJUA, JR.  
Asst. Agr. ADM. Operation & Technical Services

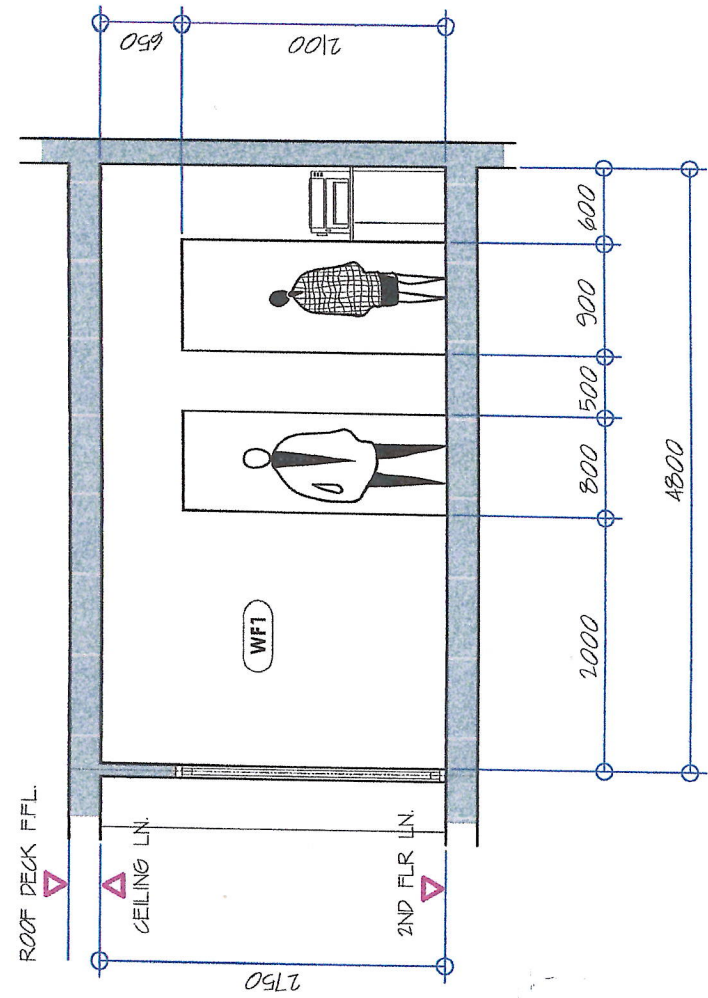
APPROVAL: *[Signature]*  
ENGR. ROSELIO A. BESANA, JR.  
Asst. General Manager

SHEET NO.	SHEET CONTENTS
B-02	A5 SHOWN
02	DRAWN BY: RONDINE CHECKED BY: REV. NO. DATE: 11/20/22

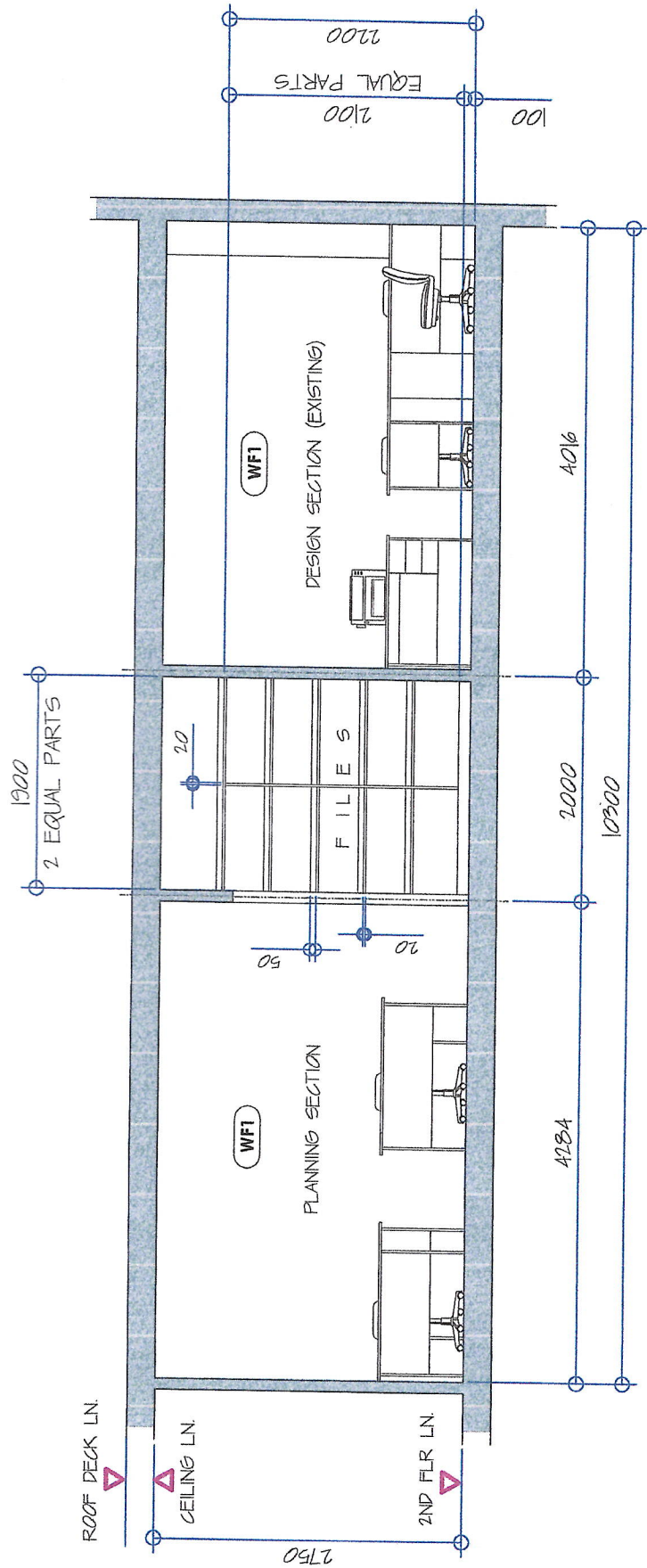




02 CROSS SECTION  
SCALE: 1:60 M  
B-03



03 CROSS SECTION  
SCALE: 1:60 M  
B-03



01 LONGITUDINAL SECTION  
SCALE: 1:60 M  
B-03

**SCHEDULE OF FINISH**

**WALLS :**

- (WF1) EXISTING CHB WALL, PLAIN CEMENT PLASTER (PAINT FINISH)
- (WF2) 100mm thk CHB WALL, PLAIN CEMENT PLASTER (PAINT FINISH)

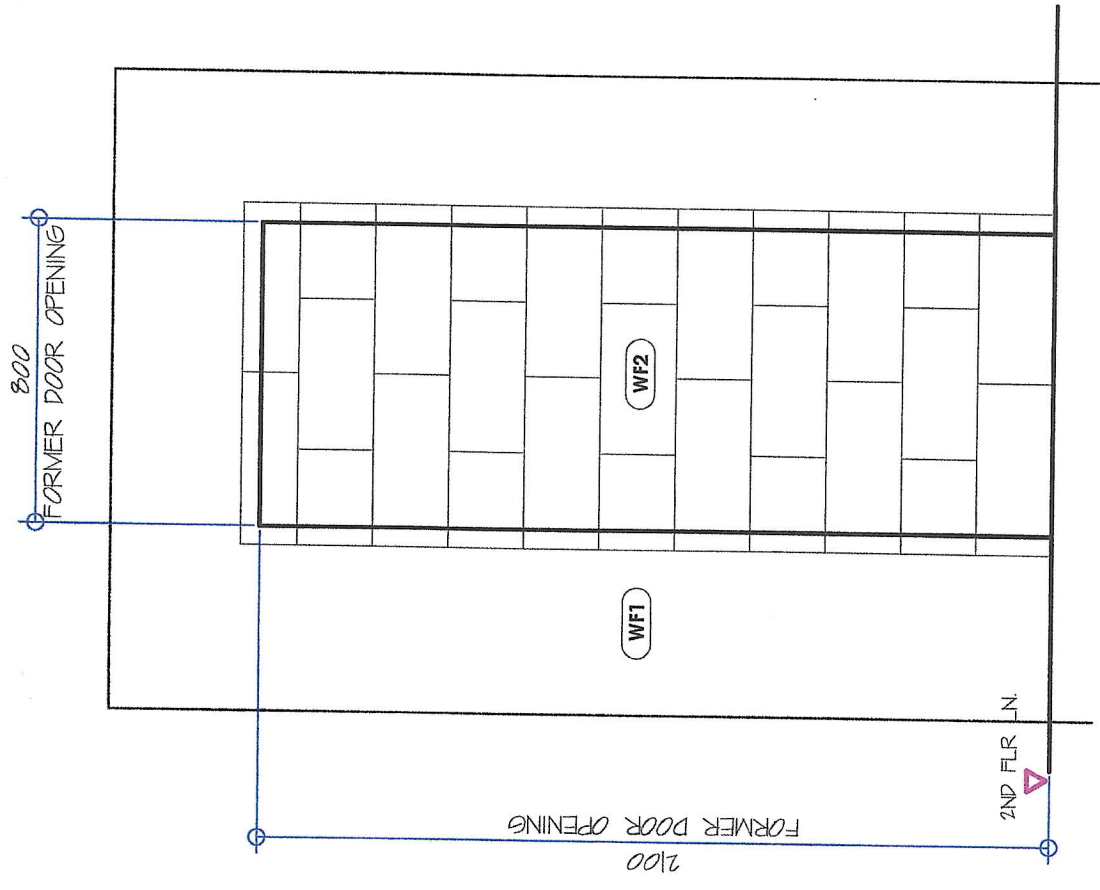
**CEILING :**

- (CL-1) 25mm thk. FIBER CEMENT BOARD (PAINT FINISH) ON METAL FURRING CEILING FRAMES. USE 0.60mm thk. 19mm x 50mm x 5000mm DOUBLE FURRING CHANNELS @ 400mm ON CENTER W/ 0.60mm thk. X 32mm x 5000mm CARRYING CHANNELS @ 1200mm ON CENTERS & 2-6mm thk. x 50mm x 500mm x STEEL STEEL BAR SUSPENSION ROD HOLDER @ 1200mm O.C. SHORTER SPAN.

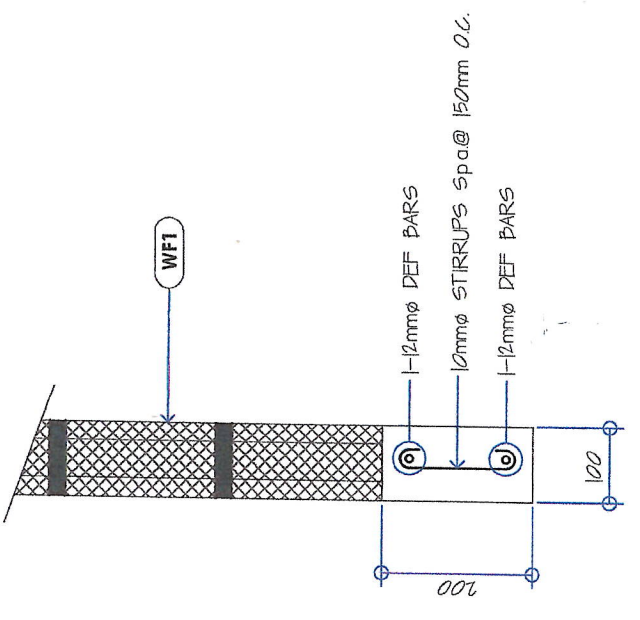




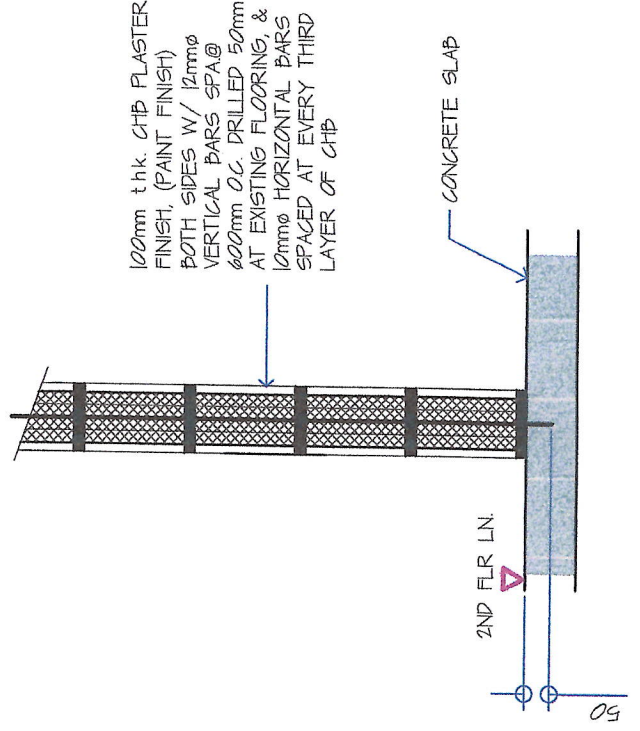




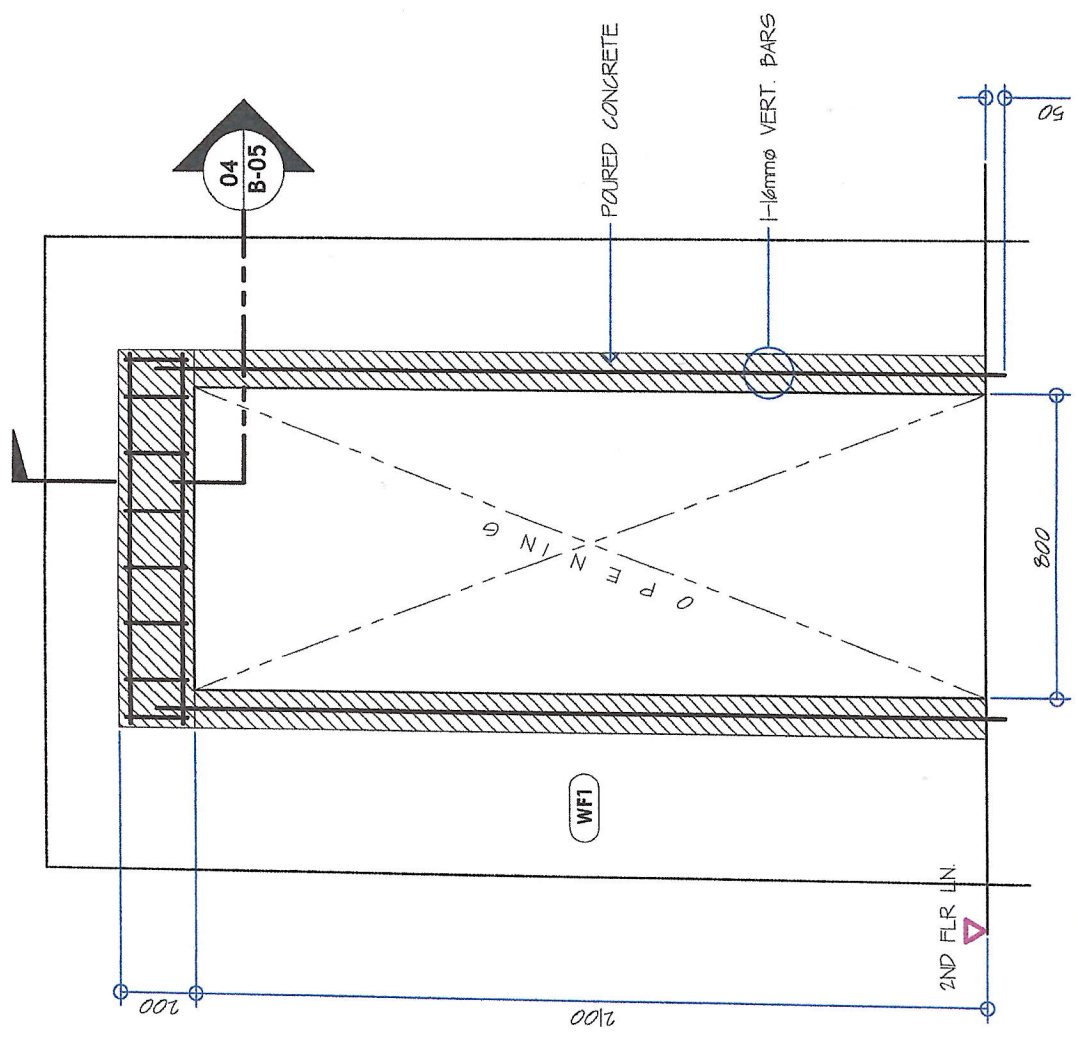
01 SPOT DETAIL  
S-01 SCALE: 1:20 M



04 LINTEL BEAM DETAIL  
S-01 SCALE: 1:15 M



02 CHB MOUNTING DETAIL  
S-01 SCALE: 1:15 M

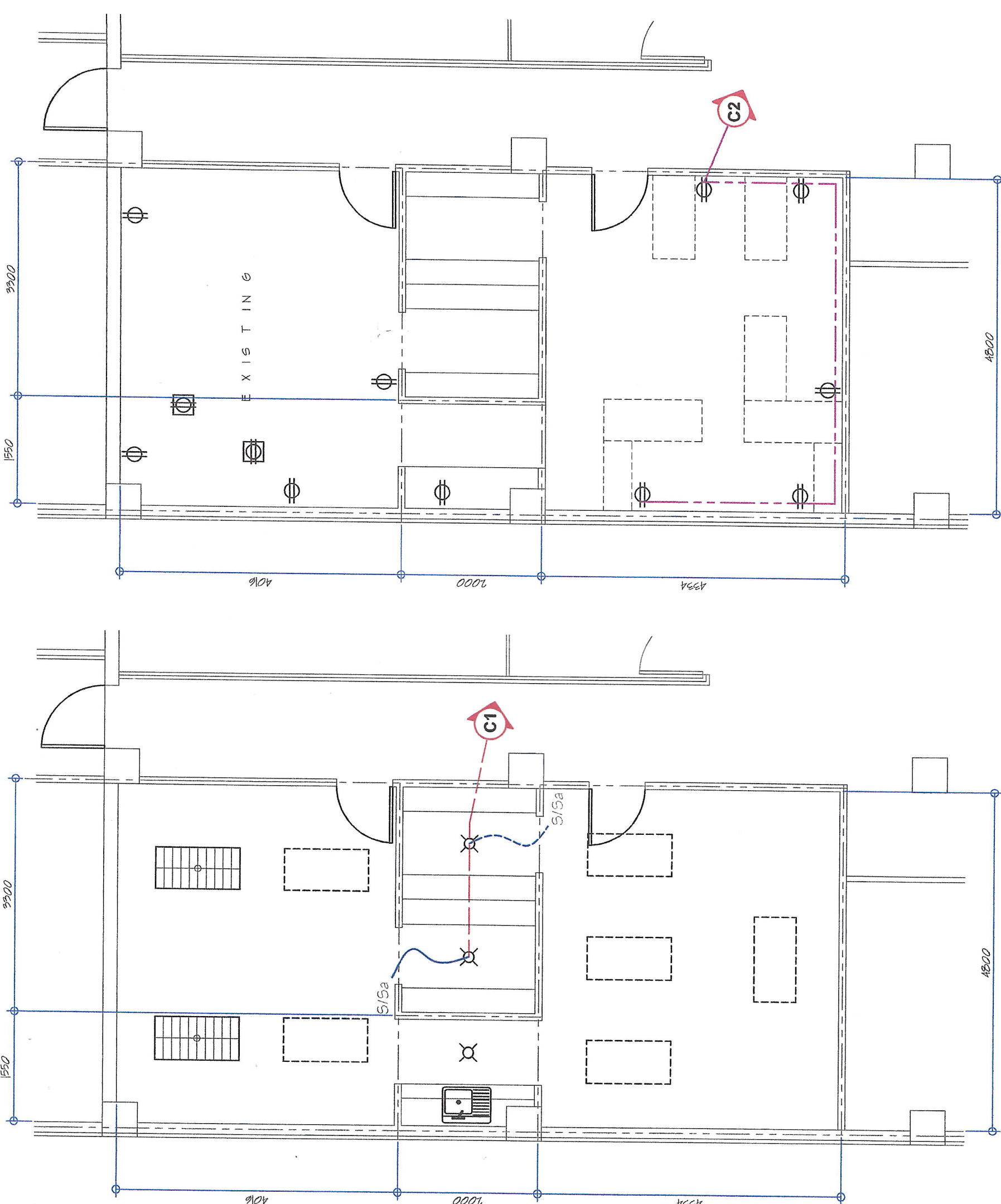


03 FILE STORAGE OPENING DETAIL  
S-01 SCALE: 1:20 M



**LEGEND**

- 2 x 3/4" FLUORESCENT LIGHTING FIXTURE
- EXISTING (2 x 3/4" FLUORESCENT LIGHTING FIXTURE)
- 6"Ø, 18WATT'S ROUND RECESSED LED PANEL LIGHT, DOWNLIGHT
- DUPLEX CONVENIENCE OUTLET, GROUNDING TYPE
- 10 AMPS, 250 VOLT W/ MODERN PLATE COVER
- FLOOR DUPLEX OUTLET
- RACEWAY CONDUIT CONCEALED UNDER FLOOR
- CIRCUIT RUN
- RACEWAY CONDUIT CONCEALED IN CEILING
- HOWERUN DIRECT TO PANEL BOARD
- ONE GANG DEVICE SWITCH
- TWO GANG DEVICE SWITCH



**01 LIGHTING LAYOUT**  
E-01 SCALE: 1:60 M

**02 POWER LAYOUT**  
E-01 SCALE: 1:60 M

<p><b>GENERAL SANTOS CITY WATER DISTRICT</b> E. FERNANDEZ STREET, BRGY. LAGAO, GEN. SANTOS CITY ENGINEERING &amp; CONSTRUCTION DEPARTMENT PLANNING AND DESIGN DIVISION TEL. NO.: (083) 552-3824</p>	<p>PROJECT LOCATION: <b>RENOVATION &amp; EXTENSION OF PDD OFFICE</b></p> <p>4020-25 - 25000 KANIBANGA FERRERES ST. LAGO</p>	<p>CHECKED BY: <i>[Signature]</i> <b>DANIEL HORLADOR, JR., CE</b> Project Planning &amp; Development Officer</p>	<p>REVIEWED BY: <i>[Signature]</i> <b>ENGR. MARIA CELIA N. DANDAN</b> Acting Department Manager, ECD</p>	<p>RECOMMEND APPROVAL: <i>[Signature]</i> <b>ENGR. CORNELIO T. TURIJA, JR.</b> Acting ACM, Operation &amp; Technical Services</p>	<p>APPROVED BY: <i>[Signature]</i> <b>ENGR. ROGELIO A. BESANA, JR.</b> Acting Contract Manager</p>	<p>SHEET CONTENTS: <b>AS SHOWN</b></p>	<p>SHEET NO.: <b>E-01</b></p>
	<p>DRAWN BY: <b>PCNG-24E</b></p>	<p>REV. NO.: <b>06</b></p>	<p>CHECKED BY: <b>DATE: Jul 2025</b></p>				