



Republic of the Philippines
GENERAL SANTOS CITY WATER DISTRICT
E. Fernandez Street, Barangay Lagao General Santos
Telephone No.: 552-3824; Telefax No.: 553-4960
Email Address: gscwdprocurement@yahoo.com

GPM-014-2

REQUEST FOR QUOTATION

RFQ #: 3-0823-095 DATE: 8/31/2023

SUPPLIER: _____
ADDRESS: _____
TELEPHONE NO. : _____
TIN NO. : _____

Dear Sir/Madam,

Pls. quote your lowest price on the item/s listed below subject to general condition stating the shortest time of delivery and submit your quotation duly signed by your representative not later than 9/4/2023, Pls. furnish this office the following articles subject to the terms and conditions contained therein.

ITEM NO.	DESCRIPTION	QTY.	UNIT	UNIT PRICE
1	D.I. GATEVALVE F/F 300MM (12``) : WITH HOT DIP GALVANIZE BOLTS & NUTS (PLEASE SEE ATTACHED SPECIFICATIONS)-ABC: PHP 372,000.00 ##### nothing follows #####	4	pc	P

Date of Delivery: _____
Price Validity : _____
Terms of Payment: _____

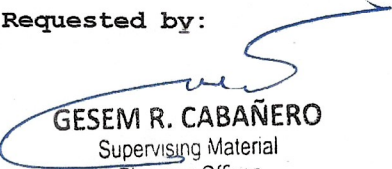
Place of Delivery: GSCWD Bodega

*****No partial delivery allowed****

Note: 6% WITHHOLDING TAX DEDUCTION

PR NO.: 0823-040

Requested by:


GESEM R. CABAÑERO
Supervising Material
Planning Officer

Price quoted by:

Supplier

Date



Republic of the Philippines
GENERAL SANTOS CITY WATER DISTRICT
E. Fernandez St., Brgy. Lagao, General Santos City
Telephone No. (083) 552-3824/ Telefax No. (083) 553-4960
E-mail Address: gscwaterdistrict@yahoo.com
www.gensanwater.gov.ph



D.I Gate Valve Technical Specifications

- Resilient Seated
- Ductile Iron and Bonnet
- Finished Electrostatically applied fusion bonded epoxy resin with RAL-GZ 662 as approved by WRAS.
- Minimum coating thickness: 250 – 300 microns > DIN 30677 Standard
- Stainless Steel (304) stem rolled type
- Bronze Wedge Nut
- Wedge – Ductile iron fully encapsulated with EPDM Rubber compound wedge
- O-ring stem seal must be DIN and ISO Standard for water applications
- Two Components only – Body and Bonnet (Maintenance free design)
- Fix wedge nut to ensure safety operation
- Fully Vulcanized wedge design
- Wedge Nut is made of dezincification resistant brass w/ lubricating ability
- With 3 independent stem seals offering triple safety:
 - Polyamide bearing with 4 NBR O-rings that protects against galvanic corrosion
 - With EPDM rubber manchette sealing that acts as the main hydraulic seal to the flow
 - NBR wiper ring that protects against impurities from the outside
- Working pressure is 250 up to 300 PSI
- **TEN (10) YEARS WARRANTY**, must have certificate authenticated by principal supplier/manufacturer
- Must have ISO Certification
- **WRAS APPROVE** must be verifiable from WRAS approvals website
- Must have full circle thrust collar for reliability and smooth operation
- Stem must be mounted in the bonnet from below
- Stem sealing must be replaceable
- Stem must be cold forged rolled threads
- Stem must be replaceable under pressure
- Stem sealing must be replaceable
- Patented wedge shoe design, fully vulcanized to the wedge core
- Rubber must ensure minimum biofilm formation according to DIN DVGW W270
- Must have strong corrosion protection according to DIN 30677-2

Prepared by:

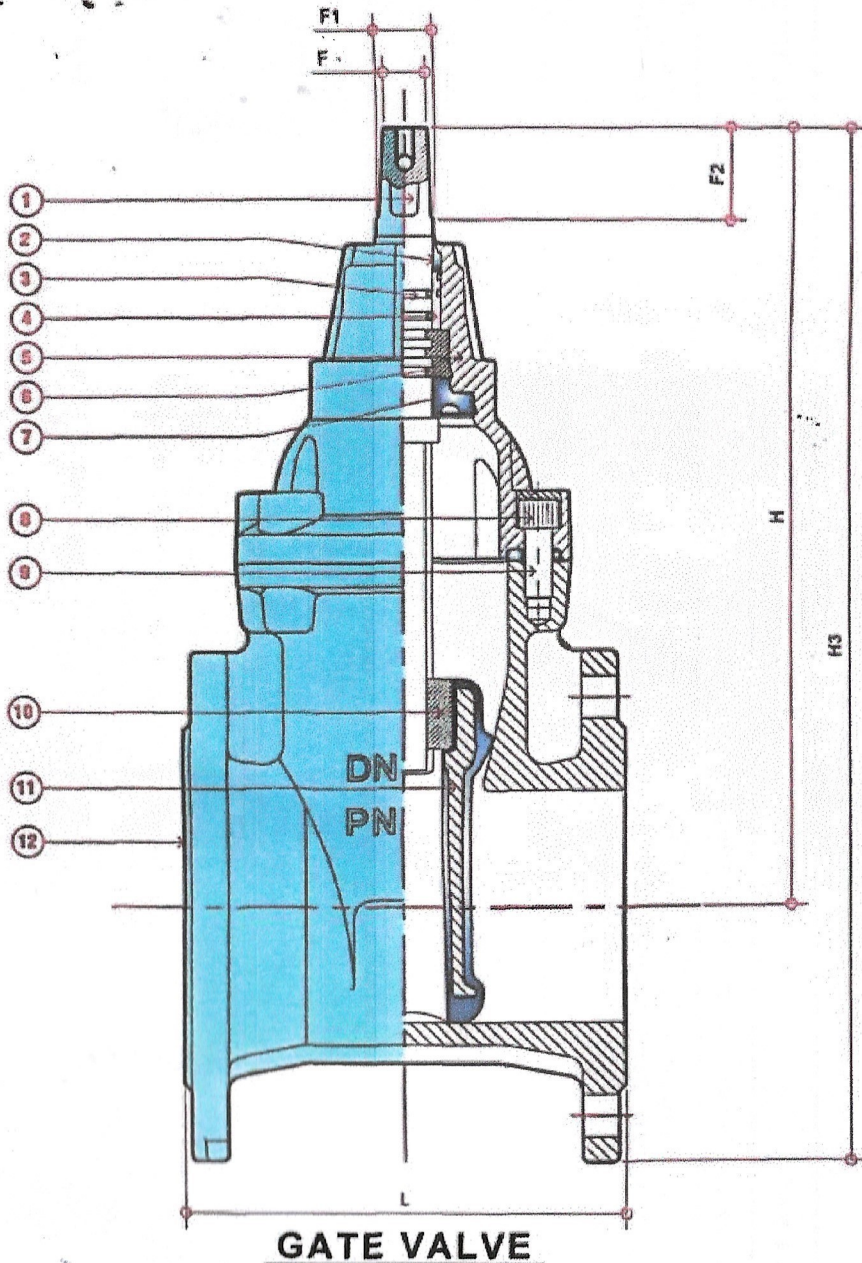

Kevin J. Ante, MPA

Clerk Processor B

Procurement, Quality Control and Procurement Division

Safe Water... Our Thrust, Our Service, Our Commitment.

DUCTILE IRON GATE VALVE



COMPONENT LIST:

1. Stem	Stainless steel
2. Wiper Ring	NBR rubber
3. O - ring	NBR rubber
4. Bearing	Polyamide
5. Bonnet	Ductile iron
6. Thrust Collar	Dezincification Resistant Brass
7. Manchette	EPDM Rubber
8. Bonnet Bolt	Stainless Steel
9. Bonnet Gasket	EPDM Rubber
10. Wedge Nut	Dezincification Resistant Brass
11. Wedge	Ductile Iron with EPDM Ruber
12. Body	Ductile Iron

DIMENSIONS:

DN	Flange drilling	L	H	H3	F	F1	F2	W	Theoretic weight	Flange Hole No.	Bolt St (Ø x L)
mm(in)		(mm)	(mm)	(mm)	(mm)	(mm)	(mm)	(mm)	(kg)	(pcs)	(mm)
50(2")	PN10/16	178	208	290	14	17	29	165	11	4	15 x 63
75(3")	PN10/16	203	282	382	17	20	34	200	18	6	15 x 63
100(4")	PN10/16	229	305	415	19	22	34	220	17	6	15 x 63
150(6")	PN10/16	267	401	543	19	22	34	285	32	8	18 x 7
200(8")	PN16	292	490	660	24	27	34	340	51	12	18 x 7
250(10")	PN16	330	625	825	27	31	47	400	82	12	21 x 7
300(12")	PN16	365	707	934	27	31	47	455	118	12	25 x 1

BOLTS: HOT DIP GALVANIZED WITH NUT AND WASHER.

[Signature]

[Signature]

[Signature]