



Republic of the Philippines  
GENERAL SANTOS CITY WATER DISTRICT  
E. Fernandez Street, Barangay Lagao General Santos  
Telephone No.: 552-3824; Telefax No.: 553-4960  
Email Address: gscwdprocurement@yahoo.com

GPM-014-2

**REQUEST FOR QUOTATION**

RFQ #: 3-0923-003      DATE: 9/1/2023

SUPPLIER: \_\_\_\_\_  
ADDRESS: \_\_\_\_\_  
TELEPHONE NO. : \_\_\_\_\_  
TIN NO. : \_\_\_\_\_

Dear Sir/Madam,

Pls. quote your lowest price on the item/s listed below subject to general condition stating the shortest time of delivery and submit your quotation duly signed by your representative not later than 9/5/2023, Pls. furnish this office the following articles subject to the terms and conditions contained therein.

ITEM NO.	DESCRIPTION	QTY.	UNIT	UNIT PRICE
1	CONSTRUCTION/LABOR AND MATERIALS : STEEL RACKS FOR DCC DOCUMENTS (PLS SEE ATTACHED DESIGN)-ABC: PHP 100,000.00 ##### nothing follows #####	1	LOT	P

Date of Delivery: \_\_\_\_\_  
Price Validity : \_\_\_\_\_  
Terms of Payment: \_\_\_\_\_

Place of Delivery: GSCWD Bodega  
\*\*\*\*No partial delivery allowed\*\*\*\*  
Note: 6% WITHHOLDING TAX DEDUCTION  
PR NO.: 0823-081

Requested by:

**GESEM R. CABAÑERO**  
Supervising Material  
Planning Officer

Price quoted by:

\_\_\_\_\_  
Supplier

\_\_\_\_\_  
Date



Republic of the Philippines  
**GENERAL SANTOS CITY WATER DISTRICT**  
 E. Fernandez St., Brgy. Lagao, General Santos City  
 Telephone No.: 552-3824; Telefax No.: 553-4960  
 Email Address: gscwaterdistrict@yahoo.com

Project: **RACKS FOR DCC DOCUMENTS**  
 Location: **P.S. 14 COMPOUND, PROMISE LAND, BRGY. MABUHAY, GENERAL SANTOS CITY**  
 Owner: **GENERAL SANTOS CITY WATER DISTRICT**  
 Subject: **BILL OF QUANTITIES**

ITEM NO.	DESCRIPTION	QUANTITY	UNIT	UNIT COST	AMOUNT
<b>A</b>	<b>RACK WORKS</b>				
<b>A.1</b>	<b>STEEL WORKS</b>	86.00	LEN		
A.1.1	Furnishing and Installation of 1 1/2" x 1 1/2" x 6mm thk. MS Angle Bar	43.00	LEN		
A.1.2	Furnishing and Installation of 10mm Ø x 6.0m Deformed Bars	42.00	LEN		
A.1.3	Installation of 8mm Ø Expansion Bolt	1.00	LOT		
<b>B</b>	<b>PAINTING WORKS</b>				
<b>B.1</b>	<b>PAINTING WORKS</b>	8.00	GAL		
B.1.3	Application of Prime Oxide and Enamel Paint on 1 1/2" x 1 1/2" x 6mm thk. MS Angle Bar and 10mm Ø x 6.0m Deformed Bars	8.00	GAL		
<b>TOTAL PROJECT COST</b>					

**Note:**

**PLEASE REFER TO APPROVED PLAN FOR FURTHER DETAILS**

Submitted by

Date: \_\_\_\_\_

Name of representative of Bidder : \_\_\_\_\_

Position: : \_\_\_\_\_

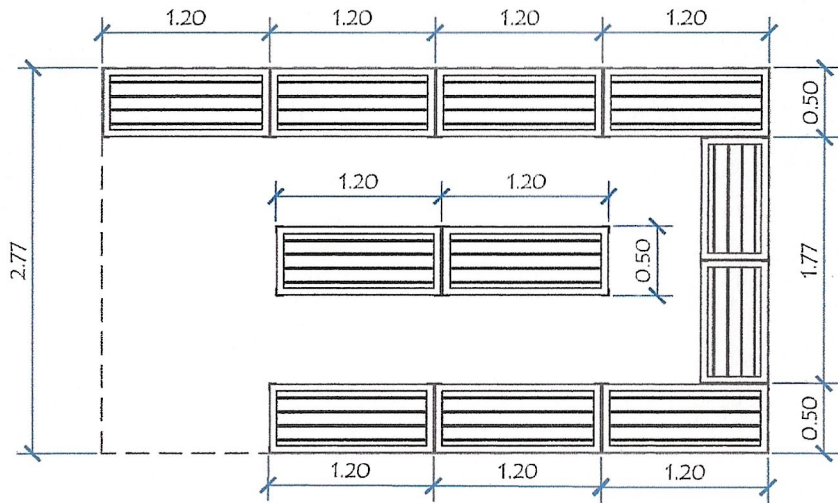
Name of Bidder : \_\_\_\_\_

Issued on :

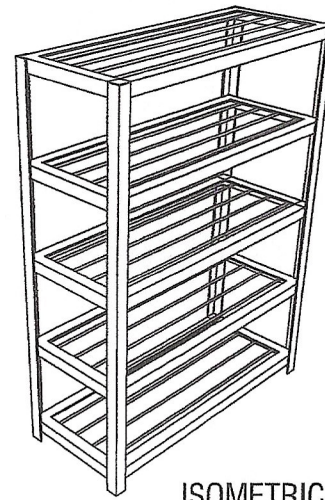




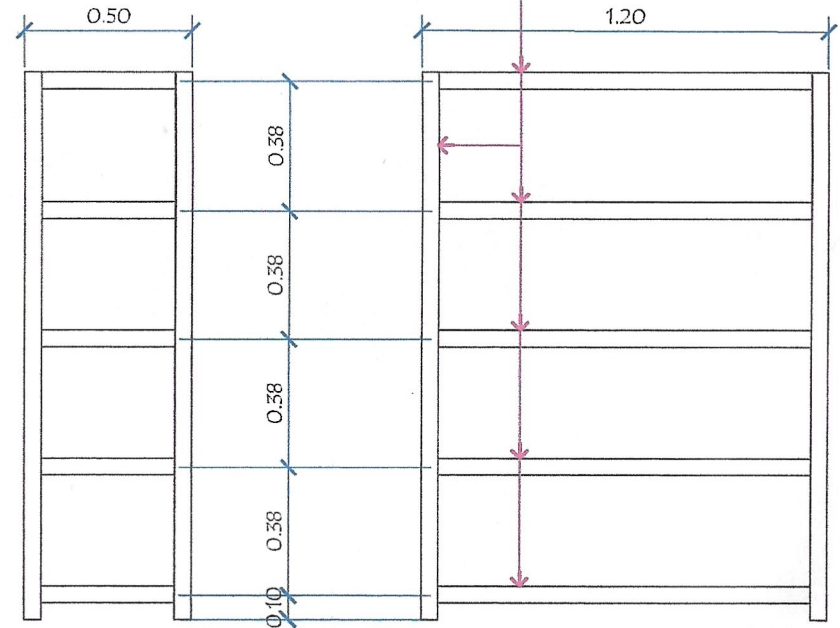
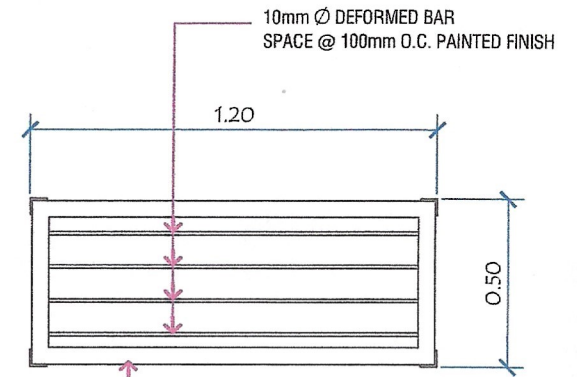
**PERSPECTIVE**  
SCALE: NTS



**FLOOR PLAN**  
SCALE: 20 : 1 M



ISOMETRIC VIEW



**RACK DETAIL**  
SCALE: 48 : 1 M

<p><b>GENERAL SANTOS CITY WATER DISTRICT</b> E. FERNANDEZ STREET, BRGY. LAGAO, GENERAL SANTOS CITY ENGINEERING &amp; CONSTRUCTION DEPARTMENT PLANNING AND DESIGN DIVISION TEL. NO.: (083) 552 - 3824</p>	PROJECT TITLE:	PREPARED BY:	CHECKED BY:	REVIEWED BY:	RECOMMENDING FOR APPROVAL BY:	APPROVED BY:	Contents:	SHEET NO.
	STEEL RACKS FOR DCC DOCUMENTS	JONER C. GUILLERO, CE	DANALO M. HORLADOR, CE	MARIA CELIA N. DANDAN, CE	ROGELIO A. BESANA, JR. CE./RMP	FERDINAND S. FERWER, MPA	AS SHOWN	1
	P.S. 14 COMPOUND, PRO'WISE LAND, BRGY. MABUHAY, G.S.C.	ENGINEERING ASSISTANT	PROJECT PLANNING & DEVT OFFICER A	ACTING DEPT. MANAGER - ECD	ASSISTANT GENERAL MANAGER - OTS	ACTING GENERAL MANAGER	REVISION:	1
							DATE: 05 / 30 / 2023	