



VICINITY MAP
SCALE: NTS

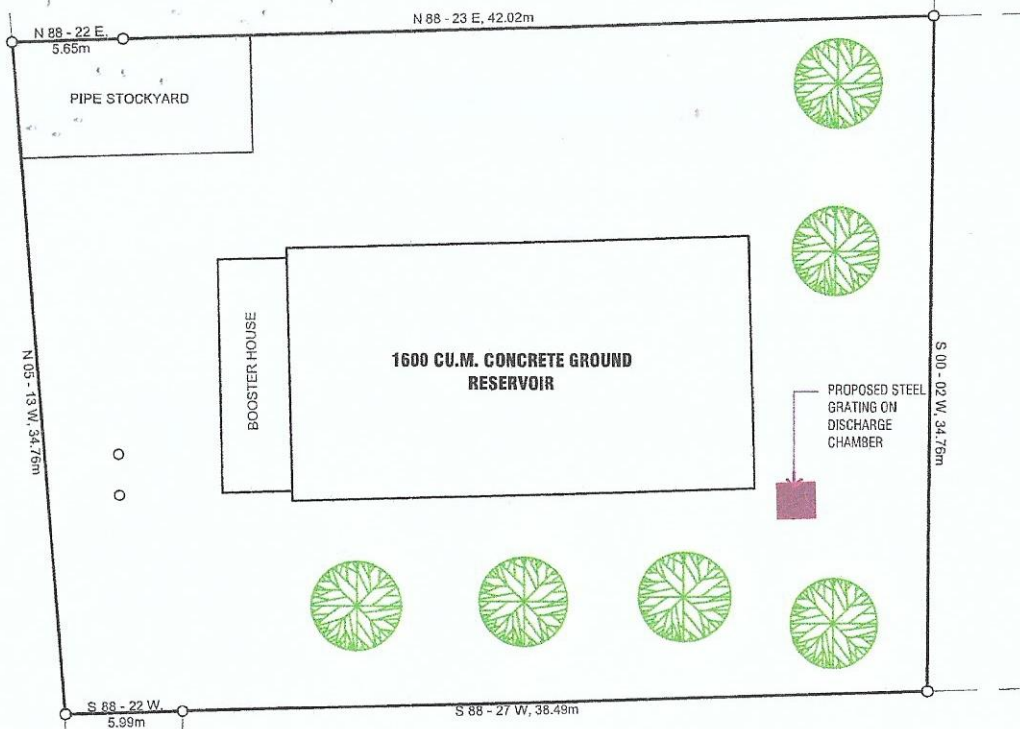


LOCATION PLAN
SCALE: NTS

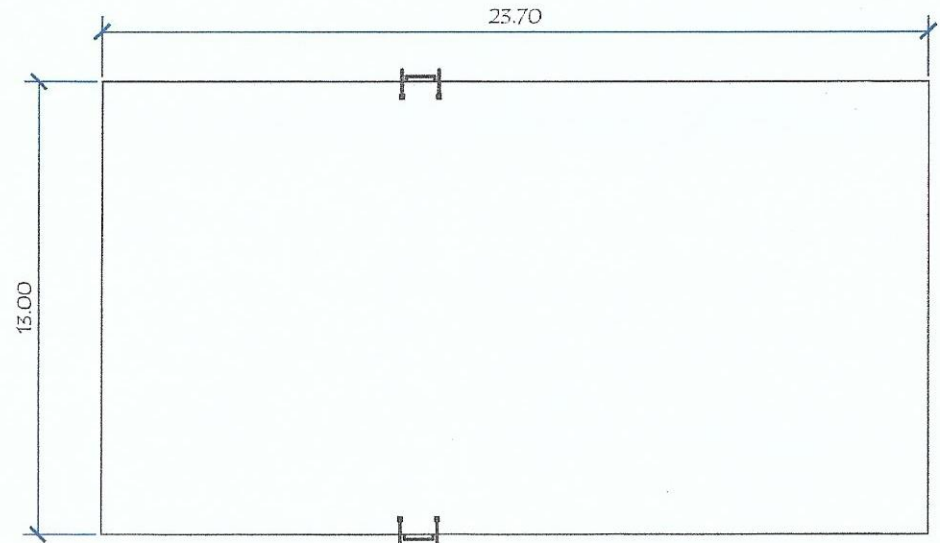


GENERAL SANTOS CITY WATER DISTRICT
E. FERNANDEZ STREET, BRGY. LAGAO, GENERAL SANTOS CITY
ENGINEERING & CONSTRUCTION DEPARTMENT
PLANNING AND DESIGN DIVISION
TEL. NO.: (083) 552 - 3824

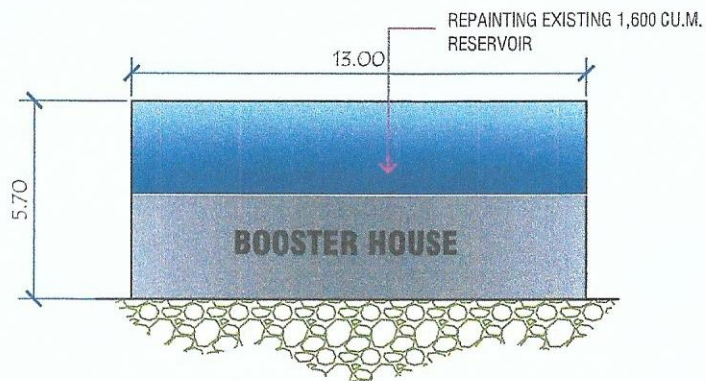
PROJECT TITLE:	PREPARED BY:	CHECKED BY:	REVIEWED BY:	RECOMMENDING FOR APPROVAL BY:	APPROVED BY:	Contents:	SHEET NO.
REHABILITATION OF 1600 CU.M. CONCRETE GROUND RESERVOIR	JONER C. GUILLERO, CE ENGINEERING ASSISTANT	DANILO M. HORLADOR, CE PROJECT PLANNING & DEVT OFFICER A	MARIA CELIA N. DANDAN, CE ACTING DEPT. MAMNGR - ECD	ROGELIO A. BESANA, JR. CE./RMP ASSISTANT GENERAL MANAGER - OTS	BERNARD S. FERRER, MPA ACTING GENERAL MANAGER	AS SHOWN	1
PUROK KAUNLARAN, BRGY. SAN ISIDRO, GEN. SANTOS CITY						REVISION: DATE 09/14/2023	2



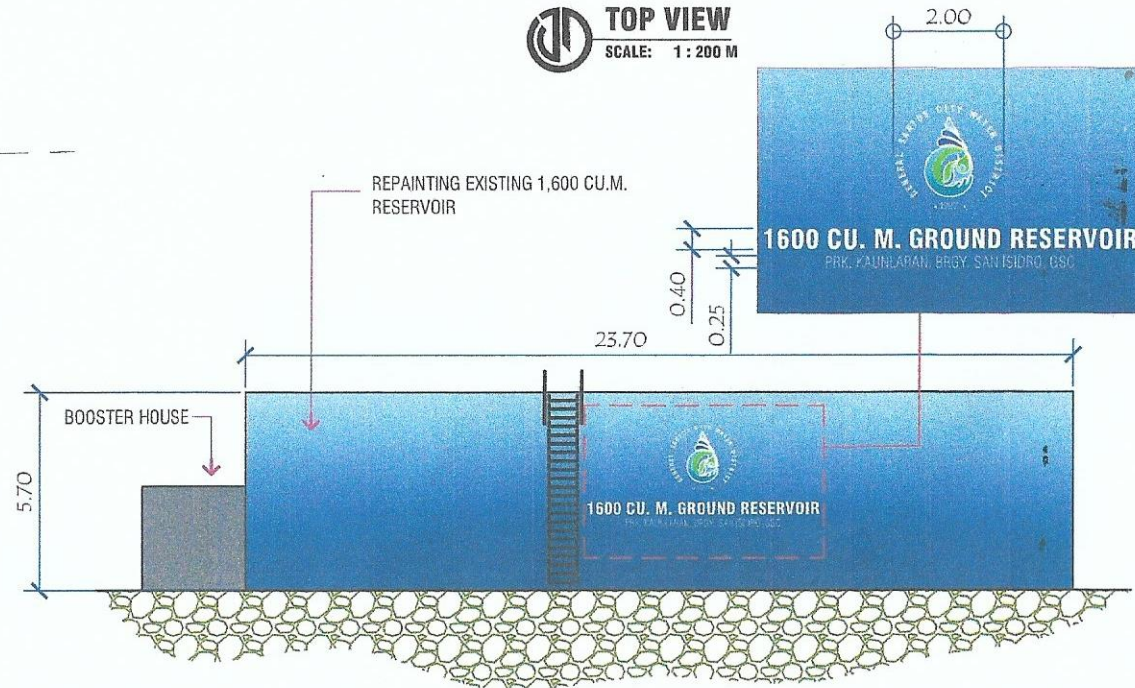
SITE DEVELOPMENT PLAN
SCALE: NTS



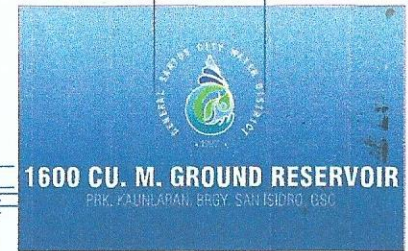
TOP VIEW
SCALE: 1 : 200 M



FRONT ELEVATION VIEW
SCALE: 1 : 200 M



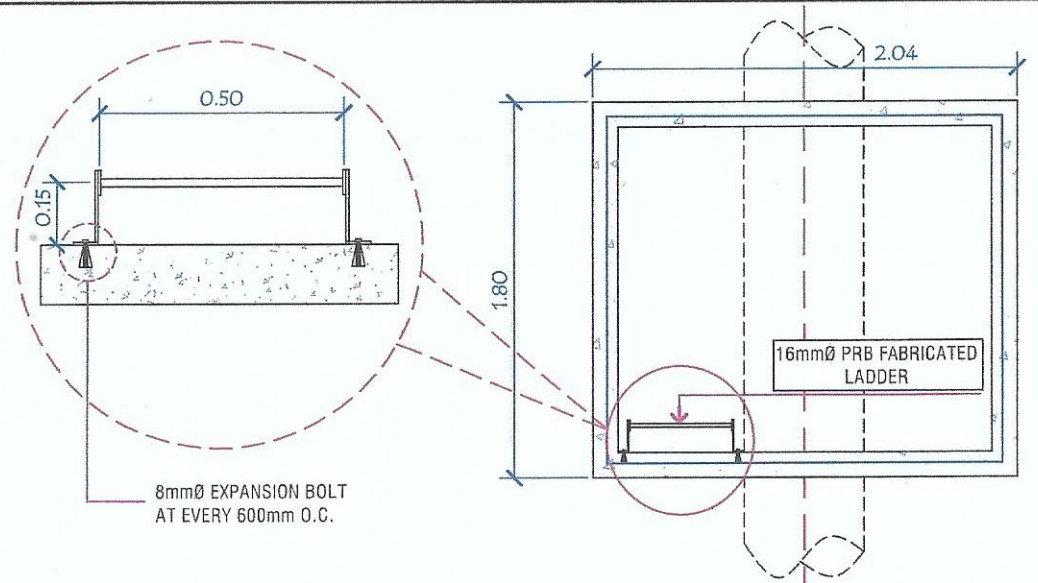
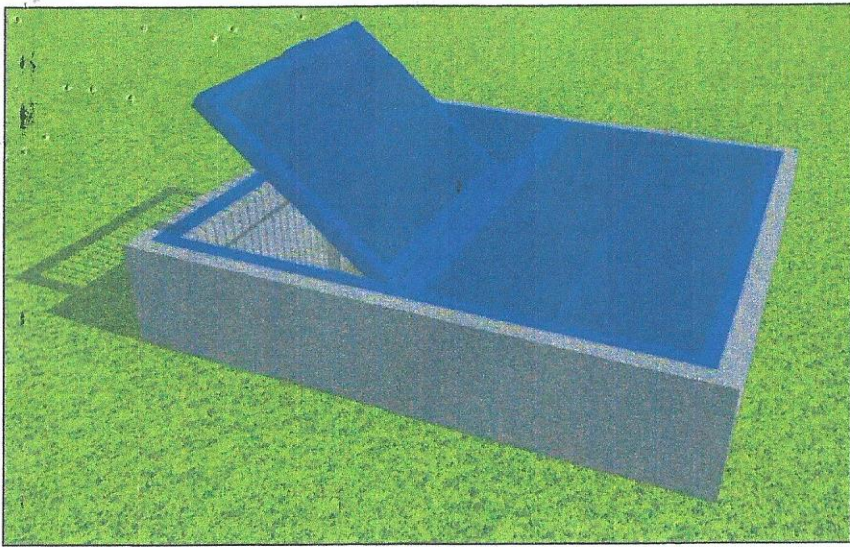
RIGHT SIDE ELEVATION VIEW
SCALE: 1 : 200 M



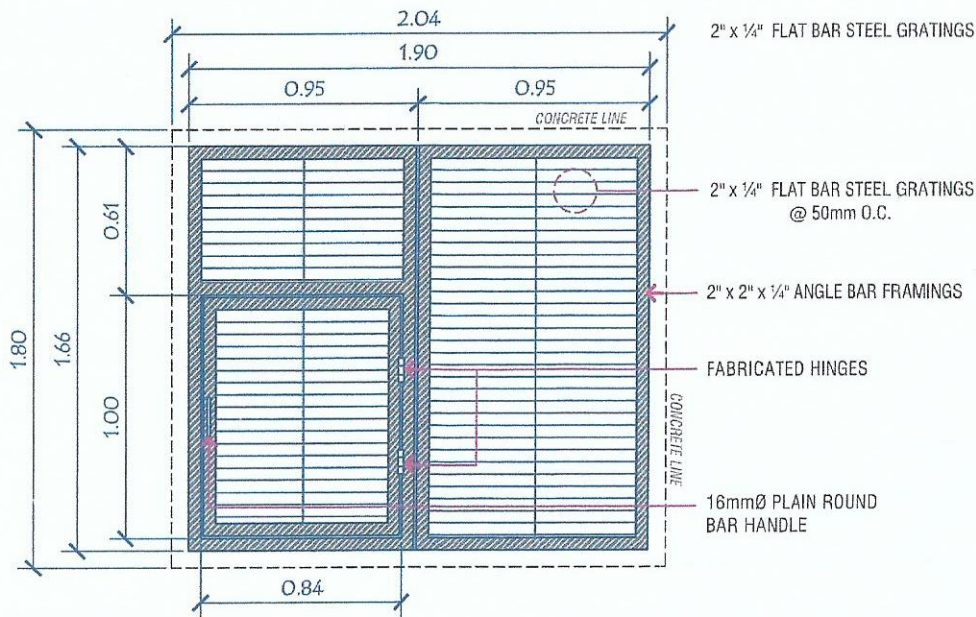
GENERAL SANTOS CITY WATER DISTRICT

E. FERNANDEZ STREET, BRGY. LAGAO, GENERAL SANTOS CITY
ENGINEERING & CONSTRUCTION DEPARTMENT
PLANNING AND DESIGN DIVISION
TEL. NO.: (083) 552 - 3824

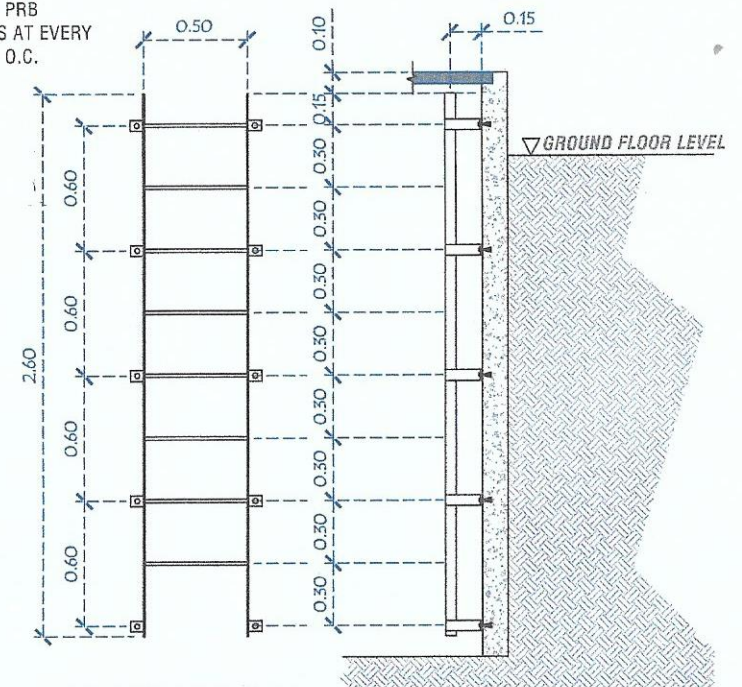
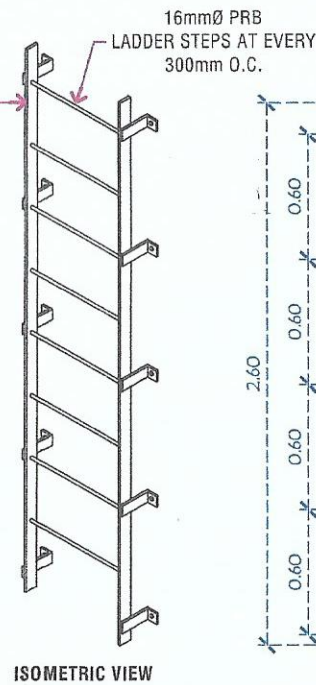
PROJECT TITLE:	PREPARED BY:	CHECKED BY:	REVIEWED BY:	RECOMMENDING FOR APPROVAL BY:	APPROVED BY:	Contents:	SHEET NO.
REHABILITATION OF 1600 CU.M. CONCRETE GROUND RESERVOIR	JOVER C. GUILLERO, CE	DANILO M. HORLADOR, CE	MARIA CELIA N. DANDAN, CE	ROGELIO A. BESANA, JR. CE./RMP	FERNANDO S. FERRER, MPA	AS SHOWN	2
PUROK KAUNLARAN, BRGY. SAN ISIDRO, GEN. SANTOS CITY	ENGINEERING ASSISTANT	PROJECT PLANNING & DEVT OFFICER A	ACT'G DEPT. MANAGER - ECD	ASSISTANT GENERAL MANAGER - OTS	ACTING GENERAL MANAGER	REVISION:	2
						DATE: 09/14/2023	



PERSPECTIVE
SCALE: NTS



STEEL GRATING DETAILS
SCALE: 1 : 35



LADDER DETAILS
SCALE: 1 : 30

<p>GENERAL SANTOS CITY WATER DISTRICT E. FERNANDEZ STREET, BRGY. LAGAD, GENERAL SANTOS CITY ENGINEERING & CONSTRUCTION DEPARTMENT PLANNING AND DESIGN DIVISION TEL. NO.: (083) 552 - 3824</p>	PROJECT TITLE:	PREPARED BY:	CHECKED BY:	REVIEWED BY:	RECOMMENDING FOR APPROVAL BY:	APPROVED BY:	Contents:	SHEET NO.
	REHABILITATION OF 1600 CU.M. CONCRETE GROUND RESERVOIR	JONER C. GUILLERO, CE	DANITO M. HORLADOR, CE	MARIA CELIA N. DANDAN, CE	ROGELIO A. BESANA, JR., CE/RMP	FERDINAND S. FERRE, MPA	AS SHOWN	3
	PUROK KAUNLARAI, BRGY. SAN ISIDRO, GEN. SANTOS CITY	ENGINEERING ASSISTANT	PROJECT PLANNING & DEVT OFFICER	ACTING DEPT. MANAGER - ECD	ASSISTANT GENERAL MANAGER - OTS	ACTING GENERAL MANAGER	REVISION:	3
							DATE: 03/14/2023	