



Republic of the Philippines
GENERAL SANTOS CITY WATER DISTRICT
E. Fernandez Street, Barangay Lagao General Santos
Telephone No.: 552-3824; Telefax No.: 553-4960
Email Address: gscwdprocurement@yahoo.com

GPM-014-4

REQUEST FOR QUOTATION

RFQ #: 3-1024-030 DATE: 10/16/2024

SUPPLIER: _____
ADDRESS: _____
TELEPHONE NO. : _____
TIN NO. : _____

Dear Sir/Madam,

Pls. quote your lowest price on the item/s listed below subject to general condition stating the shortest time of delivery and submit your quotation duly signed by your representative not later than 10/21/2024, Pls. furnish this office the following articles subject to the terms and conditions contained therein.

Instructions :

1. Accomplish this Request for Quotation duly, correctly, and completely.
2. Do not alter the contents of this form in any way.
3. If Technical Specifications/ Terms of Reference is provided, prospect bidder (supplier / service provider) must indicate and signify compliance to every perimeter in the specification.

ITEM NO.	DESCRIPTION	QTY.	UNIT	UNIT PRICE
1	FABRICATION OF STEEL FLANGE 400MM X 32 THK. : ABC: PHP 800,000.00 ##### nothing follows #####	3	pc	P

Delivery Term: _____
Price Validity : _____
Mode of Payment: _____

Place of Delivery: GSCWD Bodega
*****No partial delivery allowed****
Note: 6% WITHHOLDING TAX DEDUCTION
PR NO.: 1024-003

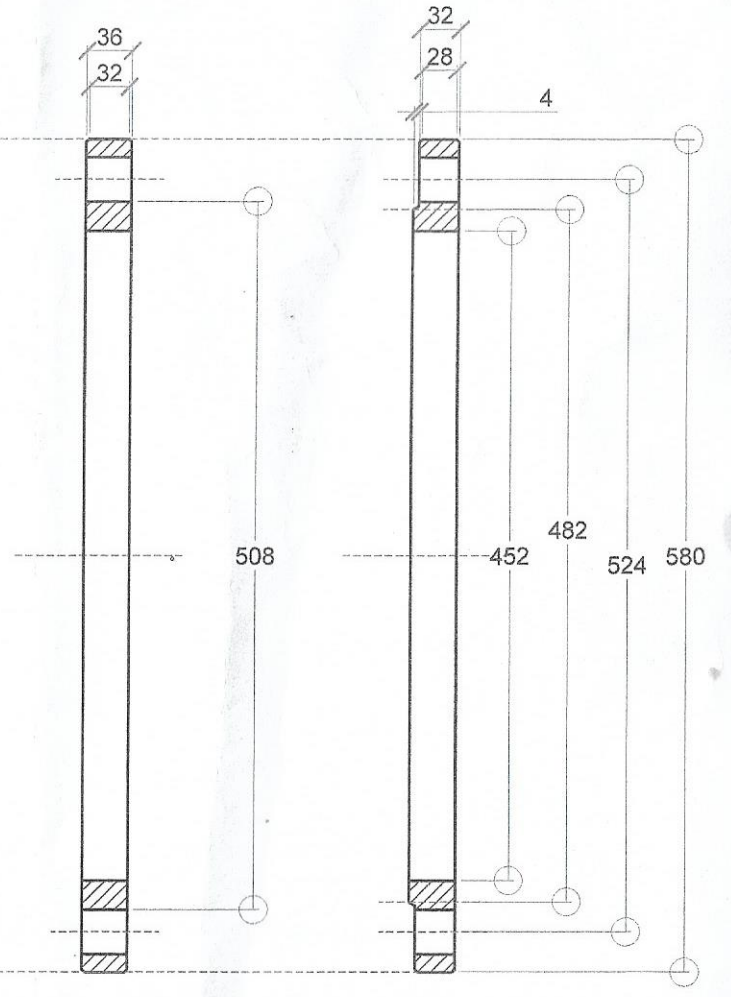
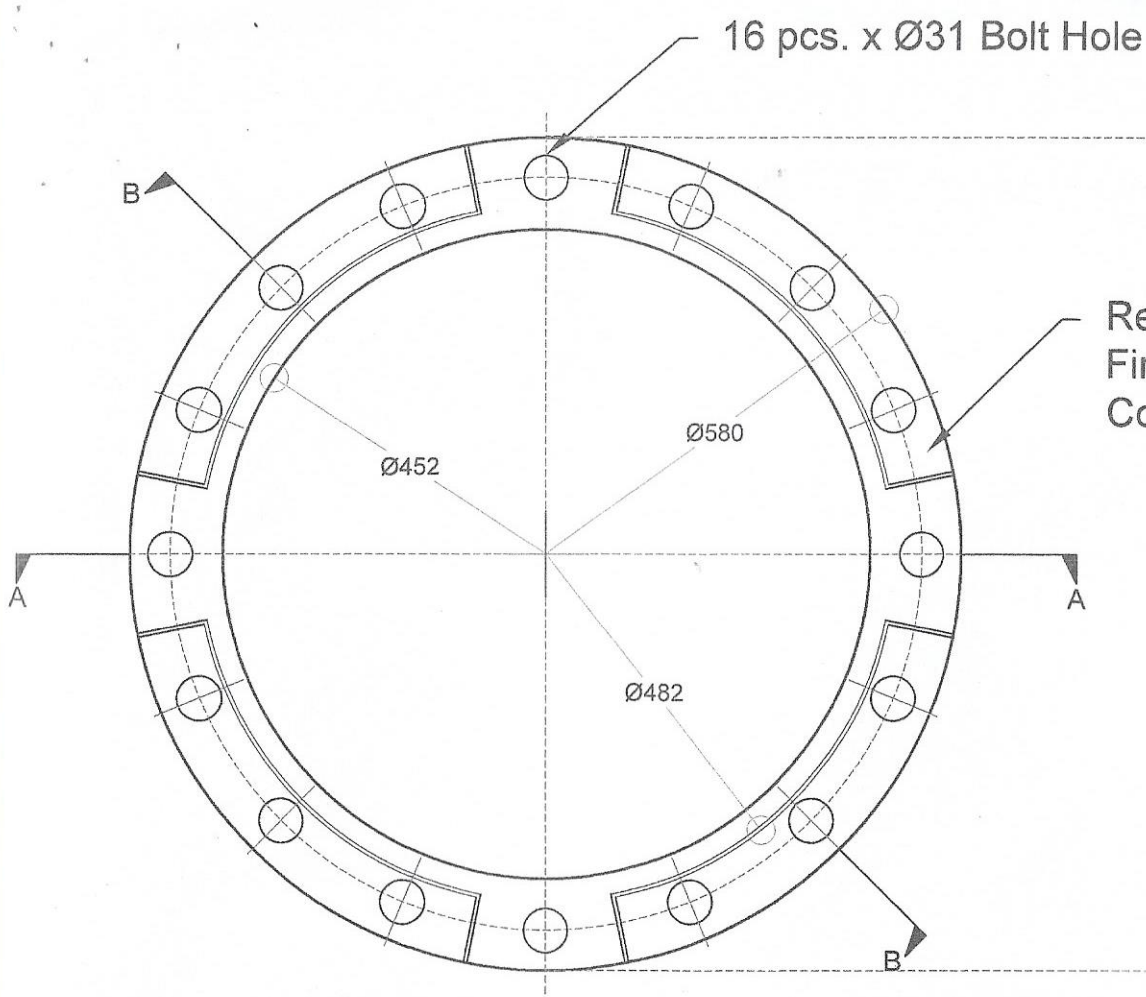
Requested by:


ANDREW H. NADAL, JR.
Material Procurement Officer A

Price quoted by:

Supplier

Date



PLAN

SCALE: NTS



SECTION A-A

SCALE: NTS



SECTION B-B

SCALE: NTS

NOTE:

1. ALL UNITS IN "mm" UNLESS OTHERWISE SPECIFIED.
2. FLANGE THICKNESS IS STRICTLY MINIMUM, NO NEGATIVE TOLERANCE IS ALLOWED.
3. ALL EDGES AND SURFACES SHOULD BE SMOOTHLY FINISHED AND NO UNEVEN/SHARP PROTRUSION SHALL BE FOUND.

DIAMETER			QUANTITY	REMARKS
ND	OD	FID		
400	580	452	8	



STEEL FLANGE FOR SPIRAL WELDED STEEL PIPES (BARE)

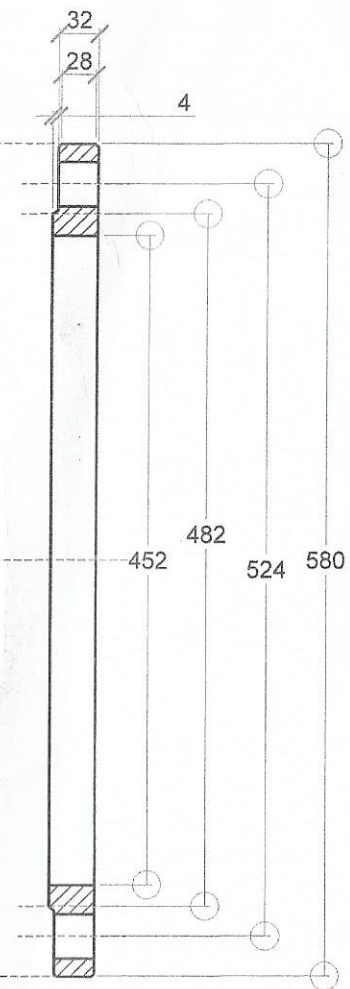
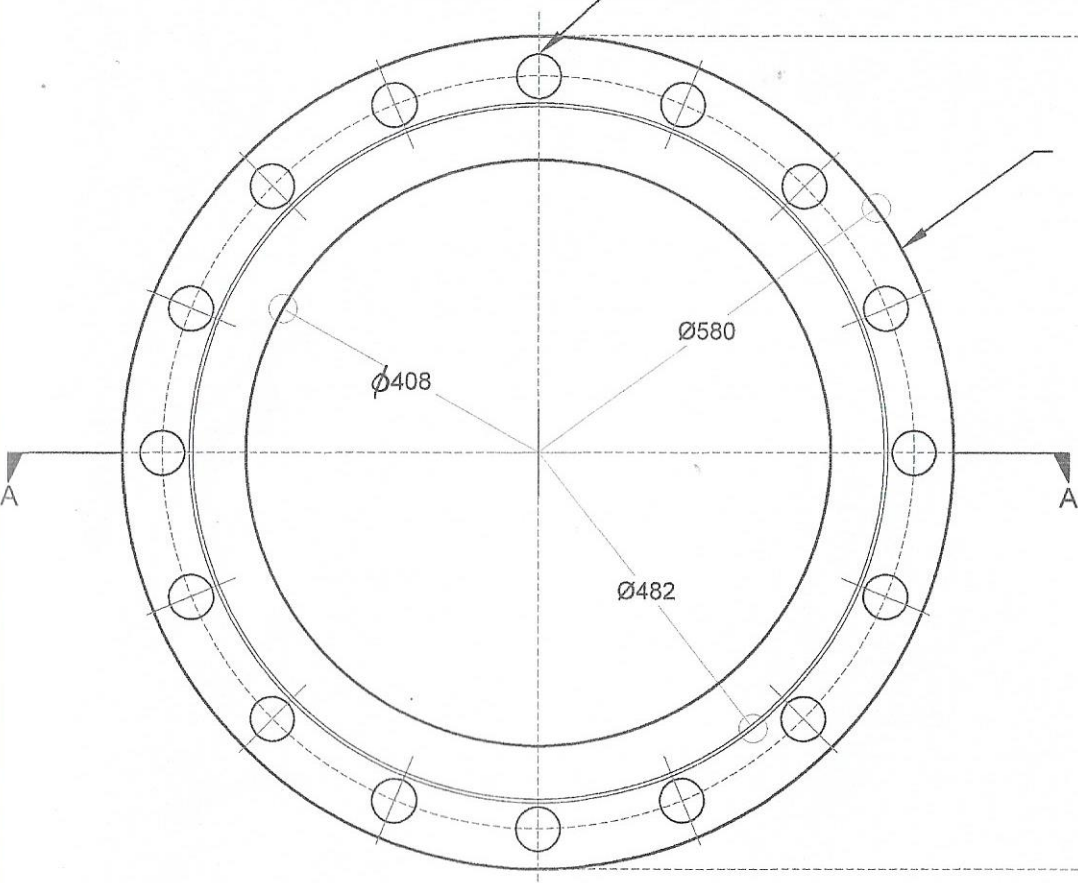
SCALE: NTS

GENERAL SANTOS CITY WATER DISTRICT
 E. FERNANDEZ STREET, BRGY. LAGA, GEN. SANTOS CITY
 PIPELINE & APPURTENANCES MAINTENANCE DEPARTMENT
 WATER DISTRIBUTION & REHABILITATION DIVISION
 TEL. NO.: (083) 652 - 3824

PROJECT TITLE / LOCATION: PURCHASE/FABRICATION OF 400mmØ STEEL FLANGE	CHECKED BY: ENGR. CORNELIO T. TURIJA JR. PAMD - Department Manager	REVIEWED BY: ENGR. ROGELIO A. BESANA, JR. AGM - Operations & Technical Services	APPROVED BY: FRANCISCO R. ALOLOD, JR., CPA, CESE Acting General Manager	CONTENT: AS SHOWN	SHEET NO.: P-1 1
				DRAWN: CFANG REVISION:	
				PREPARED: CFANG DATE: 09 / 25 / 2024	

16 pcs. x Ø31 Bolt Hole

Red Lead Paint Finish (Double Coated)



PLAN

SCALE: N T S



SECTION A-A

SCALE: N T S

NOTE:

1. ALL UNITS IN "mm" UNLESS OTHERWISE SPECIFIED.
2. FLANGE THICKNESS IS STRICTLY MINIMUM, NO NEGATIVE TOLERANCE IS ALLOWED.
3. ALL EDGES AND SURFACES SHOULD BE SMOOTHLY FINISHED AND NO UNEVEN/SHARP PROTRUSION SHALL BE FOUND.

DIAMETER			QUANTITY	REMARKS
ND	OD	FID		
400	580	407	8	



STEEL FLANGE FOR GATEVALVE M/M

SCALE: N T S

GENERAL SANTOS CITY WATER DISTRICT
 E. FERNANDEZ STREET, BRGY. LAGAO, GEN. SANTOS CITY
 PIPELINE & APPURTENANCES MAINTENANCE DEPARTMENT
 WATER DISTRIBUTION & REHABILITATION DIVISION
 TEL. NO.: (083) 552 - 3824

PROJECT TITLE / LOCATION: PURCHASE/FABRICATION OF 400mmØ STEEL FLANGE	CHECKED BY: <i>[Signature]</i> ENGR. CORNELIO T. TURIJA JR. PAMD - Department Manager	REVIEWED BY: <i>[Signature]</i> ENGR. ROGELIO A. BESANA, JR. AGM - Operations & Technical Services	APPROVED BY: <i>[Signature]</i> FRANCISCO R. ALOLOD, JR., CPA, CESE Acting General Manager	CONTENT: AS SHOWN	SHEET NO.: P-1
				DRAWN: CFANG REVISION: PREPARED: CFANG DATE: 09 / 25 / 2024	1